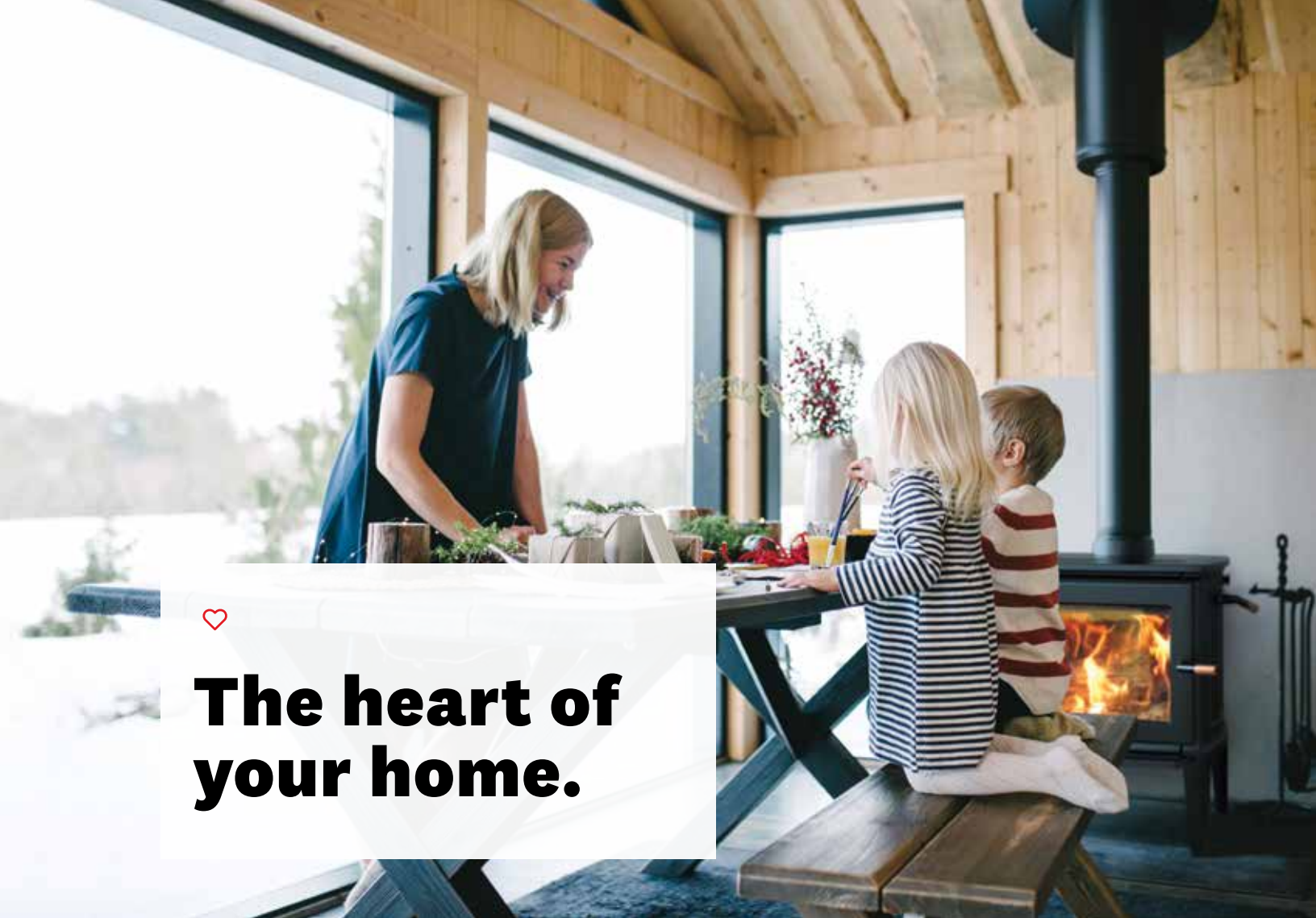




 **hearthstone®**

*The heart of your home.*



♥  
**The heart of  
 your home.**

**A heritage of craftsmanship . . . . . 3**

**Sustainable Green Energy . . . . . 4**

**The Soapstone Family**

    Castleton . . . . . 6

    Heritage . . . . . 8

    Mansfield . . . . . 10

**The Traditions Family**

    Craftsbury . . . . . 12

    Shelburne . . . . . 14

    Manchester . . . . . 16

**The Green Mountain Family**

    GM40 . . . . . 18

    GM60 . . . . . 20

    GM80 . . . . . 22

**The HASE family**

    Bari . . . . . 24

    Bari Plus . . . . . 26

**Wood Fireplace Inserts**

    Clydesdale . . . . . 28

    GMI 90 . . . . . 30

    GMI 70 . . . . . 32

**Wood ZC Fireplaces**

    WFP 75 . . . . . 34

    WFP 100 . . . . . 36

**Wood Cook Stove**

    Deva . . . . . 38

**The Gas Family**

    Bristol . . . . . 40

    Waitsfield . . . . . 42

    Stowe . . . . . 44

    Champlain . . . . . 46

**Accessories . . . . . 48**

**Specifications . . . . . 51**

# A heritage of craftsmanship.

Located in Morrisville, Vermont, we know about keeping your home warm and comfortable in all seasons. For years, our dedicated Vermont craftsman have been committed to building quality stoves, handcrafting each HearthStone to meet the highest standards using the finest materials and the most advanced heating technology. As proof, every HearthStone soapstone stove is signed by the stove builder.



*HearthStone*



# Sustainable green energy.

## Install a new wood stove and save money.

Our vision statement has always reflected a dedication to environmental consciousness. The more efficient we can make our stoves burn, the better it is for our planet. Our wood stoves produce more heat from less wood while emitting less smoke, saving you money.

Our governments support efforts to improve air quality and lower emissions by offering special consumer tax credit, refunds, and exchange programs for installing efficient wood stoves.

We're proud to say that our products exceeded current program standards, and we are committed to keeping it that way.

Talk with your local dealer about the savings available on your purchase and installation of an eligible HearthStone wood stove.

# Leaders in wood burning technology.

## TruHybrid™

**Our TruHybrid™ stoves burn cleanly and efficiently before and after you engage the catalyst.**

**Ultra Clean:** The TruHybrid™ system combines primary and secondary combustion with tertiary combustion using a catalyst to take care of any unburned smoke particles and gases.

**Uber-Efficient:** The TruHybrid™ system burns clean even if you forget to engage the catalyst! Engage the catalyst to complete the combustion and get as much heat from your wood as possible.

## heatlife™

**Delivering long-lasting comfortable heat with the natural properties of soapstone, even after the fire begins to die.**

HeatLife™ is HearthStone’s way of measuring the total hours of usable heat from a single load of wood. Our soapstone lined fireboxes and soapstone walled stoves radiate a steady warmth as the fire continues to burn—delivering a longer lasting, more comfortable heat. This is what we call the “Comfort Zone” of heat, as it extends the warmth in the room beyond the heat of the initial fire. HeatLife™ will keep your room warm longer, using less wood.

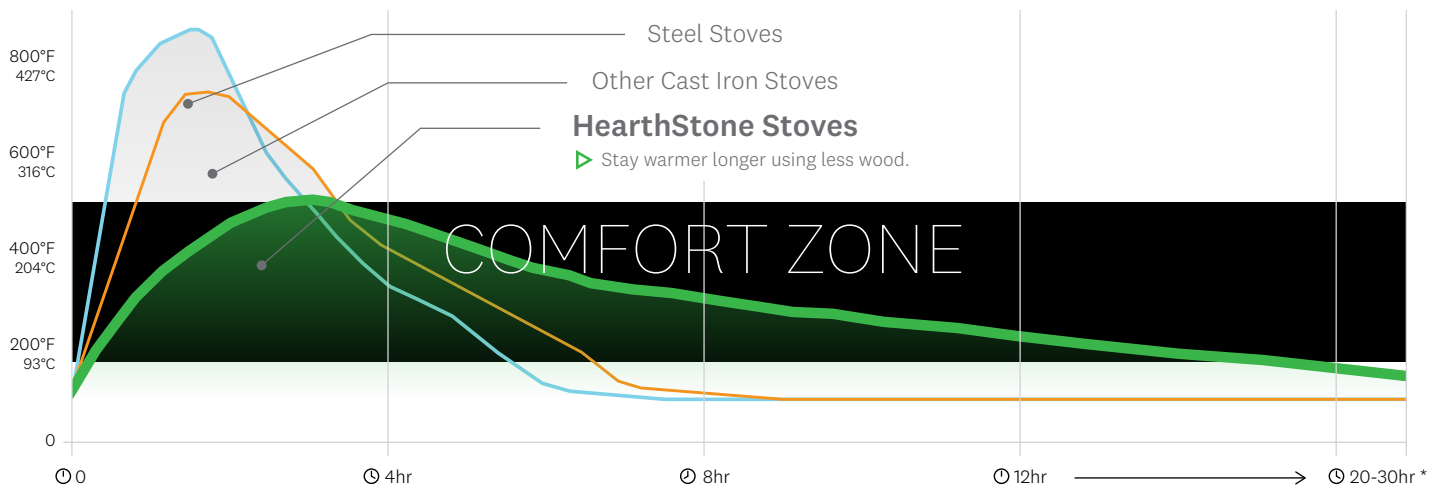


**The cleanest wood burning products on the planet.**

Wood is a renewable and sustainable resource that supports local communities. Heating with wood has a carbon neutral footprint when burned in a highly efficient HearthStone TruHybrid™ product. All of our wood burning products exceed 2020 EPA standards so you can be sure they burn clean today and for many years to come.

## heatlife™

### Long-Lasting Comfortable Heat



The HeatLife™ chart represents a single load of fuel burned under similar conditions.

\* Burn times are dependent on the product model, installation, draft, wood type and moisture content, and air supply setting used.

The Soapstone Family

# Castleton Wood Stove Model 8031

Clean and efficient with extra long burn times.



**Efficiency**

77%

HHV



**HeatLife™**

20

Hours



**EPA Certified**

0.69

g/hr



## Features

### TruHybrid™ System

A 3-tube secondary combustion system with a fixed baffle ensure a clean burn before the catalyst performs the finishing touches.

### Convenient Firebox

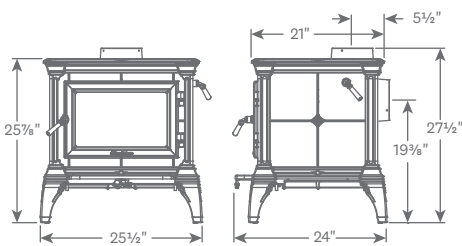
The square shape of the Castleton creates an 19" wide by 17" deep firebox. It is perfect for loading and arranging firewood.

### Easy to Use

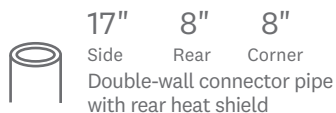
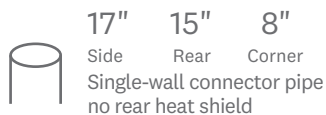
Control the stove with one lever. Turn your stove to high and stoke a big fire. Turn it all the way down to keep a fire burning overnight.



### Dimensions

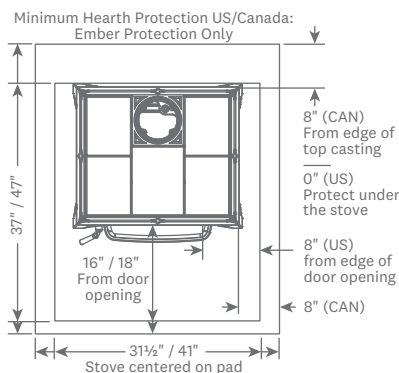


### Clearances



Note: All information is for reference only. Refer to the owner's manual for full specification and installation details.

### Hearth Protection



### Finish Options



### Specifications

HHV Efficiency .....	77%
HeatLife™* .....	20 hours
EPA Certified .....	0.69 g/hr
Heats up to.....	1,500 sq ft
Firebox Capacity.....	1.9 cu ft
BTU.....	Up to 45,000
Maximum Log Length .....	18"
Flue Exit & Diameter .....	Top or Rear <sup>+</sup> - 6"
Weight .....	475 lbs

### Accessories

Rear Heat Shield .....	90-68300
Convection Blower.....	90-57210
Outside Air Adapter.....	90-53300

\* Refer to the owner's manual for rear exit requirements.

\* Under the right conditions, you will be able to start a new fire with kindling up to the end of the product's HeatLife™.

The Soapstone Family

# Heritage

Wood Stove Model 8024

Our cleanest burning stove, EPA certified at only 0.54 g/hr.



**Efficiency**

77%

HHV



**HeatLife™**

25

Hours



**EPA Certified**

0.54

g/hr



## Features

### TruHybrid™ Clean

At only 0.54 g/hr of particulate emissions, the Heritage is our cleanest burning stove thanks to the TruHybrid system.

### Convenient Features

Load your fireplace through the side door and use the optional ash pan to help keep your hearth clean and tidy.

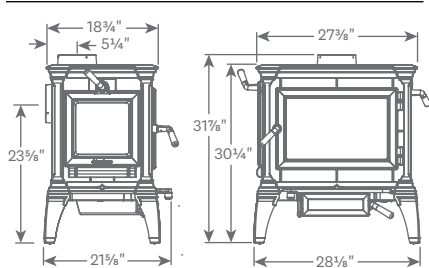
### Soapstone + Cast Iron

Full cast iron construction with 1¼" soapstone lining offers comfortable, long-lasting heat and a lifetime of trouble free service.

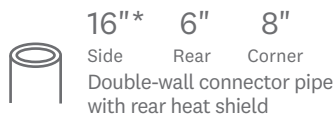
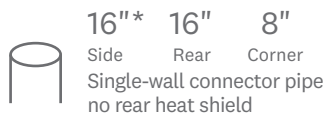




### Dimensions



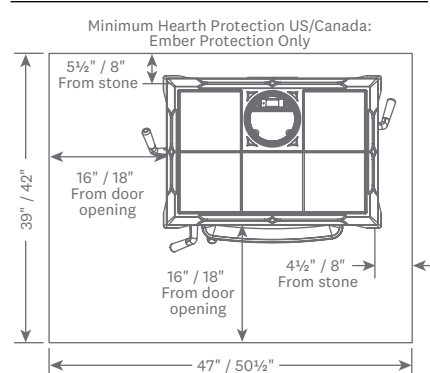
### Clearances



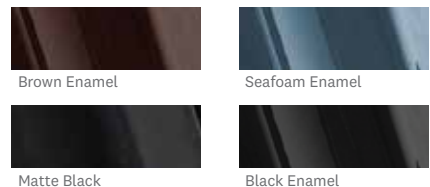
\*Side without side door.

Note: All information is for reference only. Refer to the owner's manual for full specification and installation details.

### Hearth Protection



### Finish Options



### Specifications

HHV Efficiency .....	77%
HeatLife™* .....	25 hours
EPA Certified .....	0.54 g/hr
Heats up to .....	2,000 sq ft
Firebox Capacity .....	2.2 cu ft
BTU .....	Up to 60,000
Maximum Log Length .....	21"
Flue Exit & Diameter .....	Top or Rear† - 6"
Side Load Door .....	Left or Right
Ash Pan .....	Optional
Weight .....	535 lbs

### Accessories

Ash Pan .....	90-54240
Rear Heat Shield .....	90-68210
Convection Blower .....	90-57210
Outside Air Adapter .....	90-53220
Side Door Lock Kit .....	90-70210

\* Refer to the owner's manual for rear exit requirements.

† Under the right conditions, you will be able to start a new fire with kindling up to the end of the product's HeatLife™.

The Soapstone Family

# Mansfield

Wood Stove Model 8013

Our largest soapstone stove with TruHybrid™ technology.



**Efficiency**

78%

HHV



**HeatLife™**

30

Hours



**EPA Certified**

0.54

g/hr



## Features

### TruHybrid™ Technology

The Mansfield burns cleanly and efficiently using primary, secondary, and tertiary combustion. Enjoy clean heat with our TruHybrid technology.

### Deep Firebox

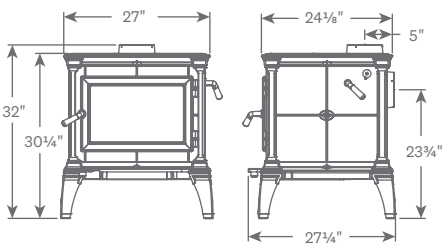
Our largest soapstone stove has plenty of space for making big fires to heat your great room or your whole house! The Mansfield boasts a 21½" wide by 20½" deep firebox.

### Soapstone HeatLife

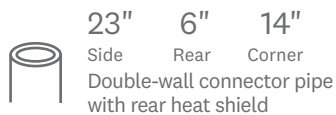
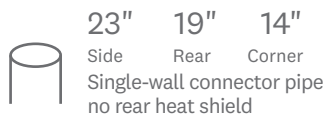
Over 230lbs of soapstone are used to construct the Mansfield to offer you plenty of long-lasting comfortable heat.



### Dimensions

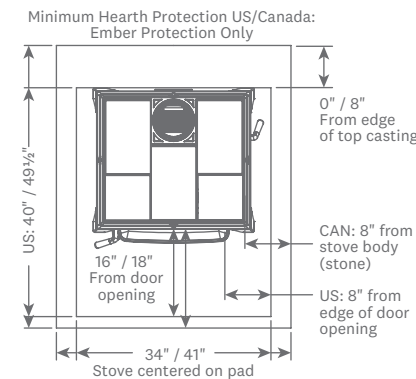


### Clearances



Note: All information is for reference only. Refer to the owner's manual for full specification and installation details.

### Hearth Protection



### Finish Options



### Specifications

HHV Efficiency .....	78%
HeatLife™* .....	Up to 30 hours
EPA Certified .....	0.54 g/hr
Heats up to.....	2,500 sq ft
Firebox Capacity.....	3.2 cu ft
BTU.....	Up to 80,000
Maximum Log Length .....	21" Left-Right,
Flue Exit & Diameter .....	Top or Rear† - 6"
Ash Pan .....	Optional
Weight .....	605 lbs

### Accessories

Ash Pan .....	90-54240
Rear Heat Shield .....	90-68210
Convection Blower.....	90-57210
Outside Air Adapter.....	90-53220

\* Refer to the owner's manual for rear exit requirements.

\* Under the right conditions, you will be able to start a new fire with kindling up to the end of the product's HeatLife™.

The Traditions Family

# Craftsbury

Wood Stove Model 8392

Beautiful and functional, perfect for smaller homes.



**Efficiency**

79%

HHV



**HeatLife™**

16

Hours



**EPA Certified**

1.07

g/hr



## Features

### Compact and Efficient

This compact and efficient wood heater will keep your home warm make the most of your wood pile.

### Traditional Cast Iron

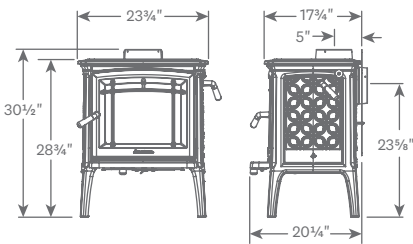
The Craftsbury is constructed of high-quality cast iron parts from our Spanish foundry and finished with beautiful porcelain enamel.

### TruHybrid™ + Soapstone

Lined with soapstone blocks and using our TruHybrid technology, the Craftsbury offers long-lasting and efficient heat.



## Dimensions



## Clearances



Side: 14" Rear: 16" Corner: 14"  
Single-wall connector pipe  
no rear heat shield

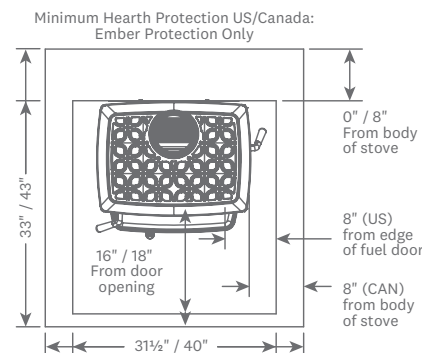
Side: 14" Rear: 13 3/4" Corner: 7"  
Single-wall connector pipe  
with included rear heat shield



Side: 14" Rear: 9 3/4" Corner: 7"  
Double-wall connector pipe  
with blower kit heat shield

Note: All information is for reference only.  
Refer to the owner's manual for full specification and installation details.

## Hearth Protection



## Finish Options



Brown Enamel



Basil Enamel



Matte Black

## Specifications

HHV Efficiency .....	79%
HeatLife™* .....	16 hours
EPA Certified .....	1.07 g/hr
Heats up to .....	1,400 sq ft
Firebox Capacity .....	1.32 cu ft
BTU .....	Up to 40,000
Maximum Log Length .....	16"
Flue Diameter .....	Top or Rear <sup>†</sup> - 6"
Weight .....	350 lbs

## Accessories

Blower w/ Rear Heat Shield .....	96-57400
Outside Air Adapter .....	96-53400

\* Refer to the owner's manual for rear exit requirements.

<sup>†</sup> Under the right conditions, you will be able to start a new fire with kindling up to the end of the product's HeatLife™.

The Traditions Family

# Shelburne

Wood Stove Model 8372

Our medium-sized cast iron stove offers traditional style and efficient heat.



**Efficiency**

79%

HHV



**HeatLife™**

24

Hours



**EPA Certified**

0.6

g/hr



## Features

### Cast Iron Detail

The Shelburne has a classic cast iron style. It is constructed from high-quality cast iron parts and finished in either porcelain enamel or traditional black stove paint.

### Finished From Every Angle

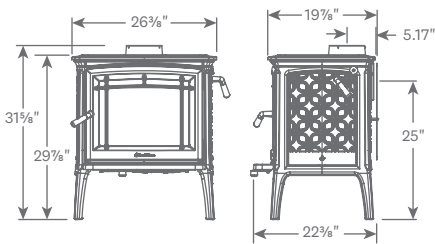
The Shelburne is designed to be seen from all sides. With a fully detailed backside, this cast iron stove looks great in the center of a room.

### TruHybrid™ + Soapstone

Lined with soapstone blocks and using our TruHybrid technology, the Shelburne offers long-lasting and efficient heat.



## Dimensions



## Clearances

Side: 13" Rear: 17 1/2" Corner: 10"



Single-wall connector pipe with no rear hearth shield

Side: 13" Rear: 11" Corner: 7"

Single-wall connector pipe with included rear heat shield

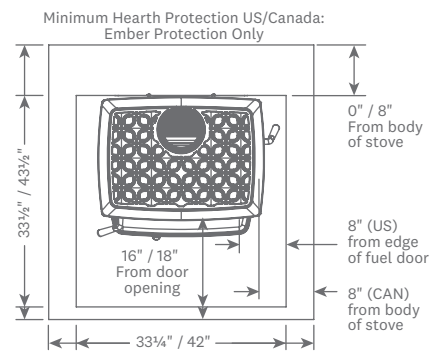


Side: 13" Rear: 5" Corner: 7"

Double-wall connector pipe with blower kit heat shield

Note: All information is for reference only. Refer to the owner's manual for full specification and installation details.

## Hearth Protection



## Finish Options



Brown Enamel



Basil Enamel



Matte Black

## Specifications

HHV Efficiency .....	79%
HeatLife™* .....	24 hours
EPA Certified .....	0.6 g/hr
Heats up to.....	2,000 sq ft
Firebox Capacity.....	2.0 cu ft
BTU.....	Up to 60,000
Maximum Log Length .....	18"
Flue Diameter .....	Top or Rear* - 6"
Weight .....	385 lbs

## Accessories

Blower w/ Rear Heat Shield .....	96-57400
Outside Air Adapter.....	96-53400

\* Refer to the owner's manual for rear exit requirements.

\* Under the right conditions, you will be able to start a new fire with kindling up to the end of the product's HeatLife™.

The Traditions Family

# Manchester

Wood Stove Model 8362

TruHybrid™ technology with the most features of any stove.



**Efficiency**

78%

HHV



**HeatLife™**

30

Hours



**EPA Certified**

0.65

g/hr



## Features

### Natural Convective Heat

The Manchester is built with an air channel up the back and across the top of the stove which helps circulate warm air through your home.

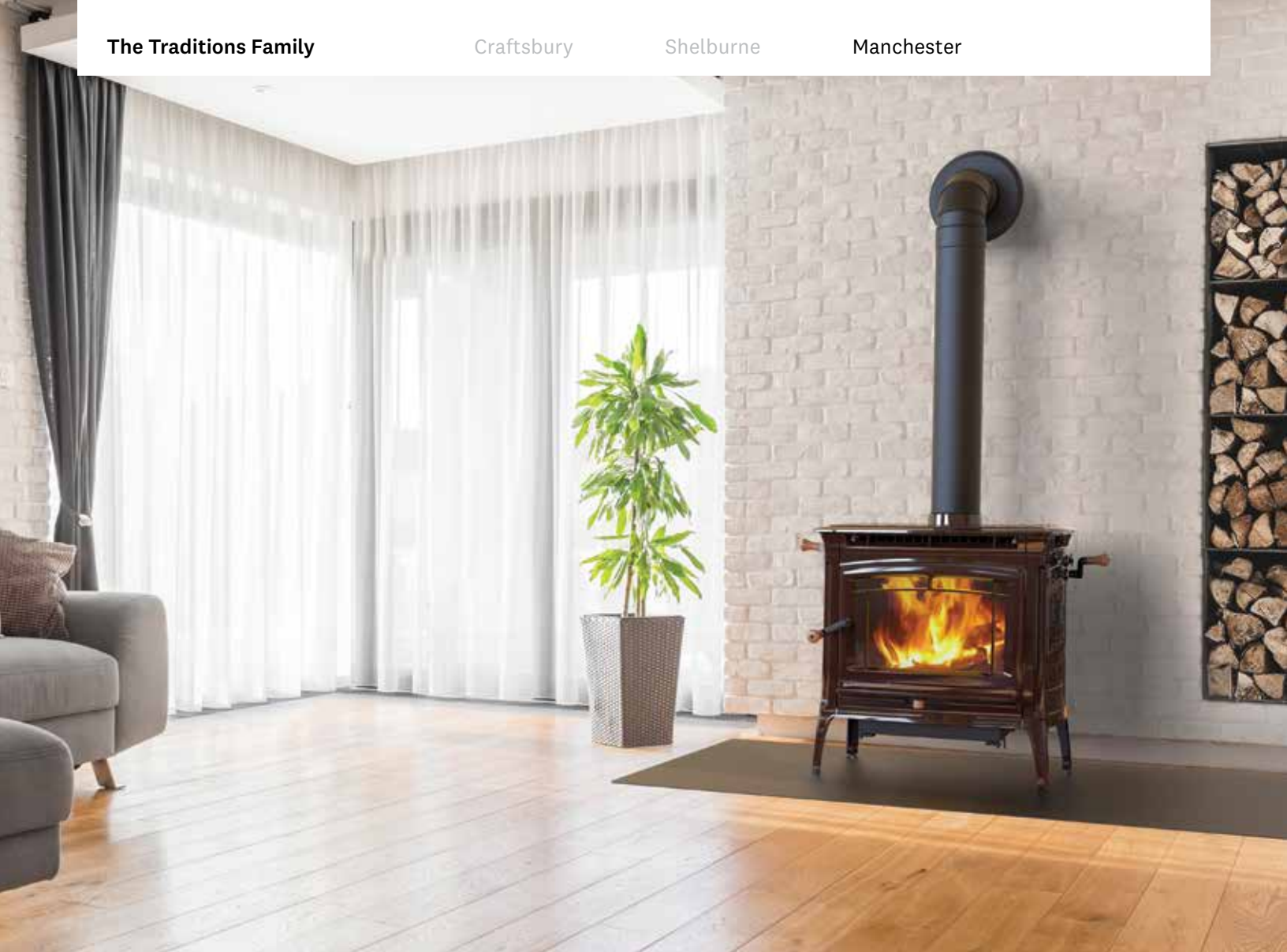
### Convenient Features

Load your fireplace through the side door and use the integral ash pan to help keep your hearth clean and tidy.

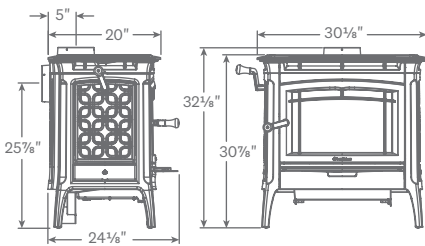
### TruHybrid™ + Soapstone

Lined with soapstone blocks and using our TruHybrid technology, the Manchester offers long-lasting and efficient heat.

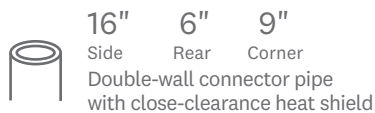
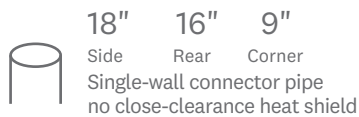




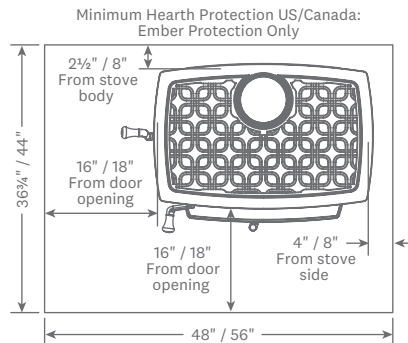
## Dimensions



## Clearances



## Hearth Protection



## Finish Options



Matte Black



Brown Enamel

## Specifications

HHV Efficiency .....	78%
HeatLife™* .....	30 hours
EPA Certified .....	0.65 g/hr
Heats up to .....	2,400 sq ft
Firebox Capacity .....	2.45 cu ft
BTU .....	Up to 75,000
Maximum Log Length .....	24"
Flue Exit & Diameter .....	Top or Rear† - 6"
Ash Pan .....	Included
Side Load Door .....	Left
Rear Heat Shield .....	Included
Weight .....	520 lbs

## Accessories

Convection Blower .....	93-57600
Close Clear. Heat Shield .....	93-68600
Outside Air Adapter .....	93-53500
Side Door Lock Kit .....	93-70607

\* Refer to the owner's manual for rear exit requirements.

\* Under the right conditions, you will be able to start a new fire with kindling up to the end of the product's HeatLife™.

The Green Mountain Family

# Green Mountain 40

Wood Stove Model 8640

Warm your living area with a clean, efficient, long lasting fire.



**Efficiency**

79%

HHV



**HeatLife™**

16

Hours



**EPA Certified**

1.07

g/hr



## Features

### Clean Traditional Style

Our GM40 wood stove is styled with clean lines and offered in traditional black cast iron. Built for the wood stove purist.

### TruHybrid™ Reliability

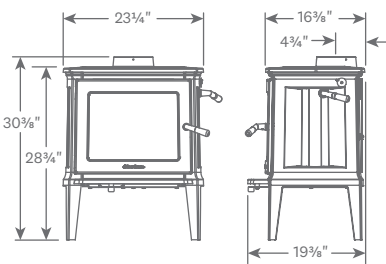
Our Green Mountain stoves exceed EPA clean burning standards. You can be sure they will burn clean today and for many years to come.

### Soapstone Firebox Lining

The GM40 is lined with soapstone blocks. Soapstone absorbs the heat of the fire to give you long-lasting comfortable heat.



### Dimensions



### Clearances



Side: 14" Rear: 16" Corner: 14"  
Single-wall connector pipe  
no rear heat shield

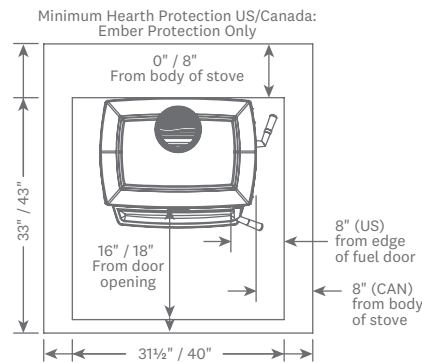


Side: 14" Rear: 13 3/4" Corner: 7"  
Single-wall connector pipe  
with included rear heat shield



Side: 14" Rear: 9 3/4" Corner: 7"  
Double-wall connector pipe  
with blower kit heat shield

### Hearth Protection



### Finish Options



Matte Black

### Specifications

HHV Efficiency .....	79%
HeatLife™* .....	16 hours
EPA Certified .....	1.07 g/hr
Heats up to.....	1,400 sq ft
Firebox Capacity.....	1.32 cu ft
BTU.....	Up to 40,000
Maximum Log Length .....	16"
Flue Diameter .....	Top - 6"
Weight .....	350 lbs

### Accessories

Blower w/ Rear Heat Shield .....	96-57400
Outside Air Adapter.....	96-53400

Note: All information is for reference only. Refer to the owner's manual for full specification and installation details.

\* Under the right conditions, you will be able to start a new fire with kindling up to the end of the product's HeatLife™.

The Green Mountain Family

# Green Mountain 60 Wood Stove Model 8660

Keep your home cozy all night long with great efficiency.



**Efficiency**

79%

HHV



**HeatLife™**

24

Hours



**EPA Certified**

0.6

g/hr



## Features

---

### A Stove With A View

The clean yet traditional style of the GM60 frames a wide view into the fire. Enjoy the dancing flames of the clean-burning fire.

### TruHybrid™ Reliability

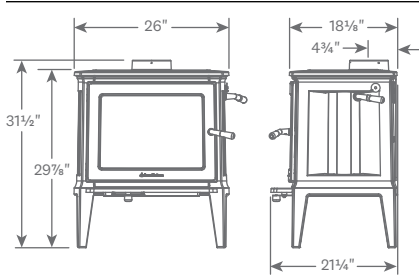
Our Green Mountain stoves exceed EPA clean burning standards. You can be sure they will burn clean today and for many years to come.

### Soapstone Firebox Lining

The GM60 is lined with soapstone blocks to store the heat from the fire and give off a gentle radiant heat that lasts. We call it HeatLife™.



### Dimensions



### Clearances

Side: 13" Rear: 17 1/2" Corner: 10"

Single-wall connector pipe with no rear heat shield



Side: 13" Rear: 11" Corner: 7"

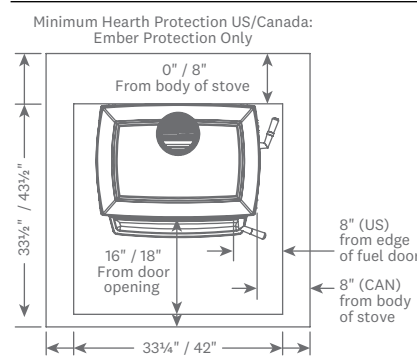
Single-wall connector pipe with included rear heat shield



Side: 13" Rear: 5" Corner: 7"

Double-wall connector pipe with blower kit heat shield

### Hearth Protection



### Finish Options



Matte Black

### Specifications

HHV Efficiency .....	79%
HeatLife™* .....	24 hours
EPA Certified .....	0.6 g/hr
Heats up to.....	2,000 sq ft
Firebox Capacity.....	2.0 cu ft
BTU.....	Up to 60,000
Maximum Log Length .....	18"
Flue Diameter .....	Top - 6"
Weight .....	405 lbs

### Accessories

Blower w/ Rear Heat Shield .....	96-57400
Outside Air Adapter.....	96-53400

Note: All information is for reference only. Refer to the owner's manual for full specification and installation details.

\* Under the right conditions, you will be able to start a new fire with kindling up to the end of the product's HeatLife™.

The Green Mountain Family

# Green Mountain 80

Wood Stove Model 8680

Our largest and most efficient TruHybrid™ wood stove boasts 81% HHV efficiency.



**Efficiency**

81%

HHV



**HeatLife™**

30

Hours



**EPA Certified**

0.7

g/hr



## Features

---

### TruHybrid™ Efficiency

Our biggest and most efficient wood stove, the GM80 boasts the highest efficiency available on the market today at 81% HHV.

### Full view of the fire

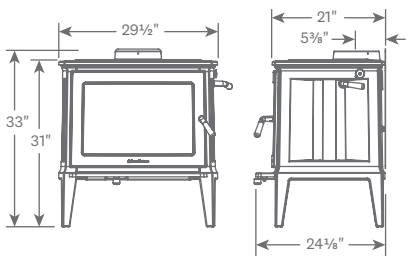
The window into the stove is designed to let you see as much fire as possible. Enjoy the heat and the view.

### Large firebox

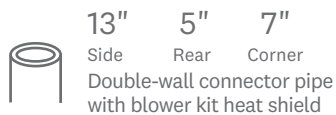
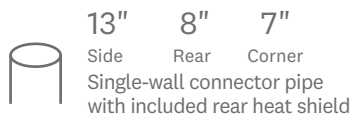
Burn up to 23 inch logs in the soapstone lined firebox. Spend less time splitting wood and more time enjoying it in this 3.1 cubic foot stove.



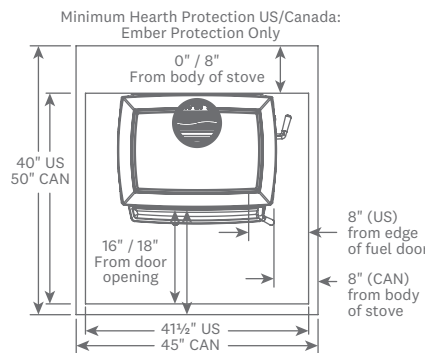
### Dimensions



### Clearances



### Hearth Protection



### Finish Options



Matte Black

### Specifications

HHV Efficiency .....	81%
HeatLife™* .....	30 hours
EPA Certified .....	0.7 g/hr
Heats up to.....	2,500 sq ft
Firebox Capacity.....	3.1 cu ft
BTU.....	Up to 80,000
Maximum Log Length .....	23"
Flue Diameter .....	Top - 8"
Weight .....	550 lbs

### Accessories

Blower w/ Rear Heat Shield.....	96-57800
Outside Air Adapter .....	96-53400

Note: All information is for reference only. Refer to the owner's manual for full specification and installation details.

\* Under the right conditions, you will be able to start a new fire with kindling up to the end of the product's HeatLife™.

The cleanest, most efficient modern stove on the market.



**Efficiency**

76%

HHV



**HeatLife™**

14

Hours



**EPA Certified**

0.94

g/hr



Alabaster Ceramic,  
smooth



Meteorite Ceramic,  
linear texture



Wintersea Ceramic,  
linear texture



Lava Ceramic,  
ringed texture



Soapstone



Charcoal Steel,  
Soapstone top



Charcoal Steel

## Features

### TruHybrid™ Efficiency

The EPA certified Bari wood stove combines HearthStone's TruHybrid™ combustion technology with German quality and modern style.

### 225° Rotation

The Bari rotates smoothly and easily so you can enjoy the fire as you move around your home.

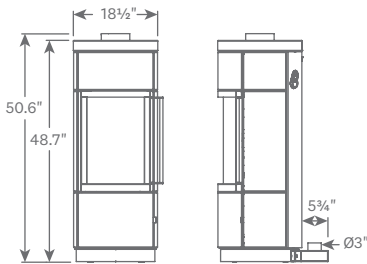
### Natural Convective Heat

HASE stoves are built with 2 layers. The space between the inner and outer layers creates a convective air channel that circulates warm air through your home and reduces the outer temperature of the stove.





## Dimensions



## Clearances

**38" 13"**  
Side Rear

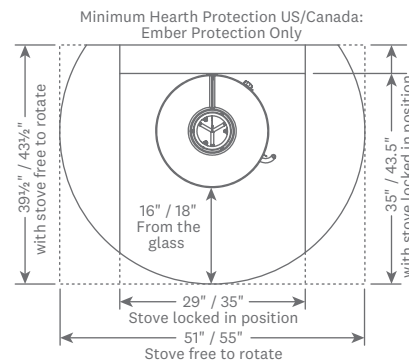
Single or double wall connector pipe  
Stove free to rotate

**13" 11" 10"**  
Side Rear Corner

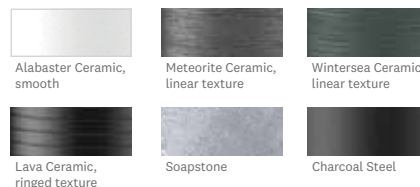
Single or double wall connector pipe  
Stove locked in position

Note: All information is for reference only.  
Refer to the owner's manual for full specification and installation details.

## Hearth Protection



## Finish Options



## Specifications

HHV Efficiency .....	76%
HeatLife™* .....	14 hours
EPA Certified .....	0.94 g/hr
Heats up to.....	1,400 sq ft
Firebox Capacity .....	1.25 cu ft
BTU.....	Up to 35,000
Flue Exit & Diameter .....	Top - 6"
Ash Pan .....	Included
Stove Rotation .....	225°
Weight, Steel.....	310 lbs
Weight, Ceramic.....	430 lbs
Weight, Soapstone.....	485 lbs

## Accessories

Outside Air Adapter.....	91-53712
--------------------------	----------

\* Under the right conditions, you will be able to start a new fire with kindling up to the end of the product's HeatLife™.


The HASE Family

# Bari Plus


Wood Stove Model 8172



Lined with heat storing thermal brick for a long, even HeatLife™.

  
**Efficiency**  
76%  
HHV

  
**HeatLife™**  
16  
Hours

  
**EPA Certified**  
0.94  
g/hr



Charcoal Steel

## Features

### TruHybrid™ Efficiency

The EPA certified Bari wood stove combines HearthStone's TruHybrid™ combustion technology with German quality and modern style.

### European Design

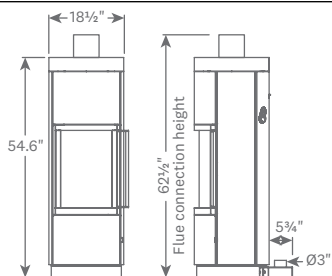
This modern stoves makes a beautiful impression in room with minimal furnishings, well-chosen furniture, and clean, streamlined designs.

### Thermal Brick

The Bari Plus is lined with 310 lbs. of magnetite heat retaining blocks. The extra height of the stove provides space for even more heat storage, ensuring a long HeatLife™.



### Dimensions



### Clearances

**38" 13"**

Side Rear

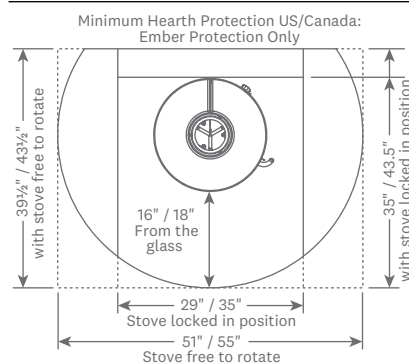
Single or double wall connector pipe  
Stove free to rotate

**13" 11" 10"**

Side Rear Corner

Single or double wall connector pipe  
Stove locked in position

### Hearth Protection



### Finish Options



Charcoal Steel

### Specifications

HHV Efficiency .....	76%
HeatLife™* .....	14 hours
EPA Certified .....	0.94 g/hr
Heats up to .....	1,400 sq ft
Firebox Capacity .....	1.25 cu ft
BTU .....	Up to 35,000
Flue Exit & Diameter .....	Top - 6"
Ash Pan .....	Included
Stove Rotation .....	225°
Heat Retaining Blocks .....	100 lbs
Total Weight .....	425 lbs

### Accessories

Outside Air Adapter .....91-53712

Note: All information is for reference only. Refer to the owner's manual for full specification and installation details.

\* Under the right conditions, you will be able to start a new fire with kindling up to the end of the product's HeatLife™.

Wood Fireplace Inserts

# Clydesdale Model 8492

HearthStone's classic wood burning fireplace insert with TruHybrid™ technology.



**Efficiency**

79%

HHV



**HeatLife™**

24

Hours



**EPA Certified**

1.16

g/hr



## Features

### TruHybrid™ Efficiency

The Clydesdale uses our TruHybrid technology. Engage the catalyst and turn your stove down for slow and efficient overnight burns.

### Open view of the fire

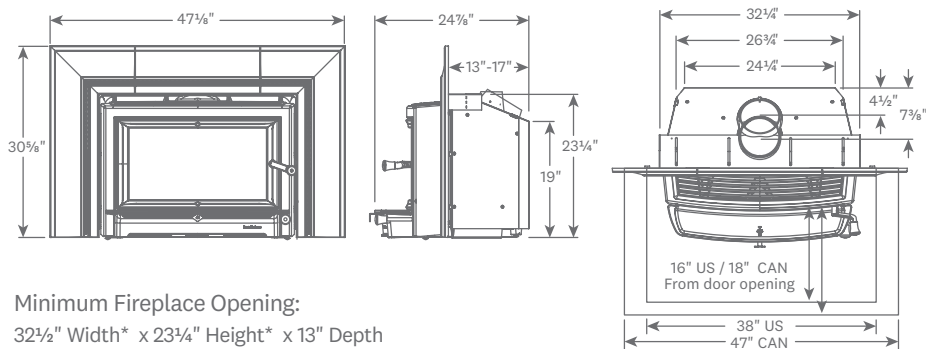
The Clydesdale's large open window lets you see as much fire as possible. Enjoy the ambiance of a fireplace and the efficiency of HearthStone.

### Soapstone firebox

Burn up to 24 inch logs in the soapstone lined firebox. Soapstone retains the maximum heat from you fire and radiates steady warmth as your insert burns.



## Dimensions & Installation



### Minimum Fireplace Opening:

32½" Width\* x 23¼" Height\* x 13" Depth

\* Hearth may taper to 27"W x 21"H at the back wall

### Minimum Hearth Protection:

Masonry hearths 7" or higher: Ember Protection Only

Hearths less than 7" tall: Insulation Required, R-1.5

## Clearances

8" combustible mantel from bottom of insert - 39½"

8" shielded mantel from bottom of insert - 33⅜"

To side trim from side of insert body - 8"

To side wall from side of insert body - 11"

## Finish Options



Matte Black



Brown Enamel

## Specifications

HHV Efficiency .....	79%
HeatLife™* .....	24 hours
EPA Certified .....	1.16 g/hr
Heats up to .....	2,000 sq ft
Firebox Capacity .....	2.4 cu ft
BTU .....	Up to 60,000
Maximum Log Length .....	22"
Flue Exit & Diameter .....	6", 2 positions
Convection Blower .....	Included
Actual Weight .....	550 lbs.

## Accessories

Mantel Shield .....	94-79700
Surround Extension .....	94-5990010
Surround Base Caps .....	94-5970610/20

Note: All information is for reference only. Refer to the owner's manual for full specification and installation details.

\* Under the right conditions, you will be able to start a new fire with kindling up to the end of the product's HeatLife™.

Wood Fireplace Inserts

# Green Mountain Insert 90 Model 8460

Our large flush insert combines stylish cast iron with our signature soapstone lining.



**Efficiency**

64%

HHV



**HeatLife™**

8

Hours



**EPA Certified**

1.22

g/hr



Shown in matte black with the optional steel surround

## Features

### Enameled cast iron

The flush cast iron front of the GMI 90 is available in matte black or our brown enamel finish.

### Soapstone firebox

Burn up to 20 inch logs in the soapstone lined firebox. Soapstone retains the maximum heat from you fire and radiates steady warmth as your insert burns.

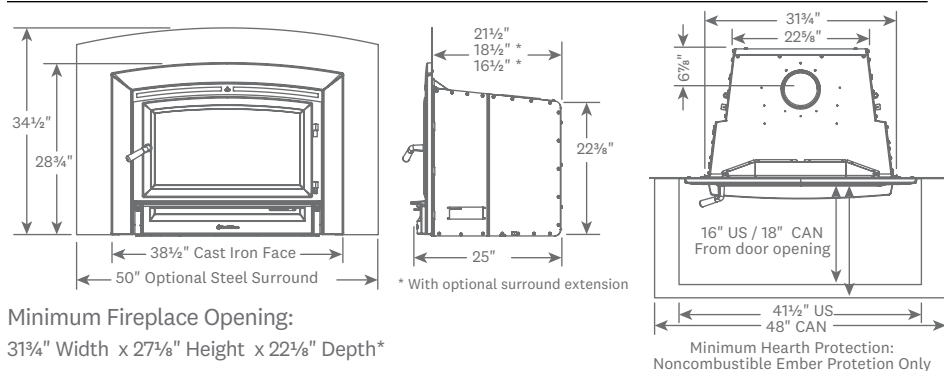
### Simple operation

Our non-catalytic wood insert is easy to use. A single lever air control lets you burn hot and fast or low and slow to keep warm through the night.



GMI 90 shown in brown enamel with the optional steel surround, accessory 94-5960010.

## Dimensions & Installation



Minimum Fireplace Opening:  
 31¾" Width x 27⅞" Height x 22⅞" Depth\*  
 \* With optional surround extension

## Clearances

- Combustible mantel from insert bottom - 40¾"
- To side trim from side of insert body - 9½"
- To side wall from side of insert body - 19"

## Finish Options



Matte Black



Brown Enamel

## Specifications

HHV Efficiency .....	64%
HeatLife™* .....	8 hours
EPA Certified .....	1.22 g/hr
Heats up to .....	2,200 sq ft
Firebox Capacity .....	2.5 cu ft
BTU .....	Up to 80,000
Maximum Log Length .....	20"
Flue Exit & Diameter .....	Top - 6"
Convection Blower .....	Included

## Accessories†

Steel Surround .....	94-5960010
Surround Extension .....	94-5960110
Outside Air Adapter Kit .....	94-53600
Fire Screen Insert .....	94-69600
Mantel Shield .....	94-79700
Liner Hook-Up Collar .....	94-67500
Offset Liner Adapter .....	5700-007

Note: All information is for reference only. Refer to the owner's manual for full specification and installation details.

\* See the Accessories section at the end of the catalog for more information.

† Under the right conditions, you will be able to start a new fire with kindling up to the end of the product's HeatLife™.

Wood Fireplace Inserts

# Green Mountain Insert 70 Model 8450

Our flush-face soapstone-lined wood burning fireplace insert.



**Efficiency**

69%

HHV



**HeatLife™**

10

Hours



**EPA Certified**

1.54

g/hr



Shown in brown enamel

## Features

### Flush cast iron design

The cast iron front of the GMI 70 is designed to fit flush with your hearth for a clean and elegant look.

### Soapstone firebox

Burn up to 20 inch logs in the soapstone lined firebox. Soapstone retains the maximum heat from you fire and radiates steady warmth as your insert burns.

### Simple operation

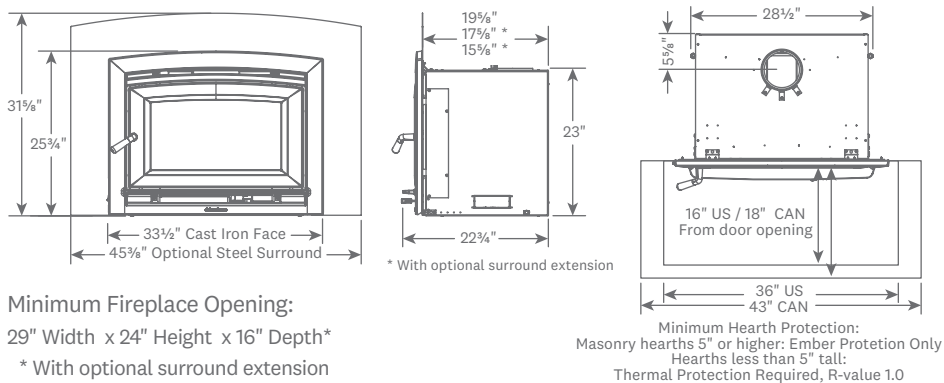
Our non-catalytic wood insert is easy to use. A single lever air control lets you burn hot and fast or low and slow to keep warm through the night.





GMI 70 shown in matte black with the optional steel surround, accessory 94-5950110.

### Dimensions & Installation

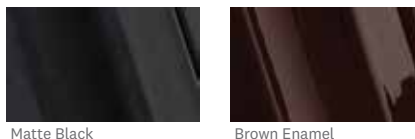


Minimum Fireplace Opening:  
 29" Width x 24" Height x 16" Depth\*  
 \* With optional surround extension

### Clearances

- To combustible mantel from bottom of insert - 50"
- To side trim from side of insert body - 9"
- To side wall from side of insert body - 16"

### Finish Options



### Specifications

HHV Efficiency .....	69%
HeatLife™* .....	10 hours
EPA Certified .....	1.54 g/hr
Heats up to.....	2,000 sq ft
Firebox Capacity.....	2.4 cu ft
BTU.....	Up to 70,000
Maximum Log Length .....	20"
Flue Exit & Diameter .....	Top - 6"
Convection Blower .....	Included

### Accessories†

Steel Surround .....	94-5950110
Surround Lower Panel .....	94-5950510
Surround Extension .....	94-5950010
Outside Air Adapter Kit .....	94-53500
Mantel Shield .....	94-79700
Fire Screen Insert.....	94-69500
Liner Hook-Up Collar .....	94-67500
Offset Liner Adapter .....	5700-007

Note: All information is for reference only. Refer to the owner's manual for full specification and installation details.

\* See the Accessories section at the end of the catalog for more information.

† Under the right conditions, you will be able to start a new fire with kindling up to the end of the product's HeatLife™.

Wood ZC Fireplaces

# WFP 75

Model 8411

The textured cast iron facade adds a unique elegance to your living room.



**Efficiency**

64%

HHV



**HeatLife™**

8

Hours



**EPA Certified**

1.22

g/hr



## Features

### Zero Clearance Fireplace

Our ZC fireplace is designed to be framed into new construction. It is easier, takes up less space, and is less expensive to install when compared to traditional masonry fireplaces.

### Clean burning + efficient

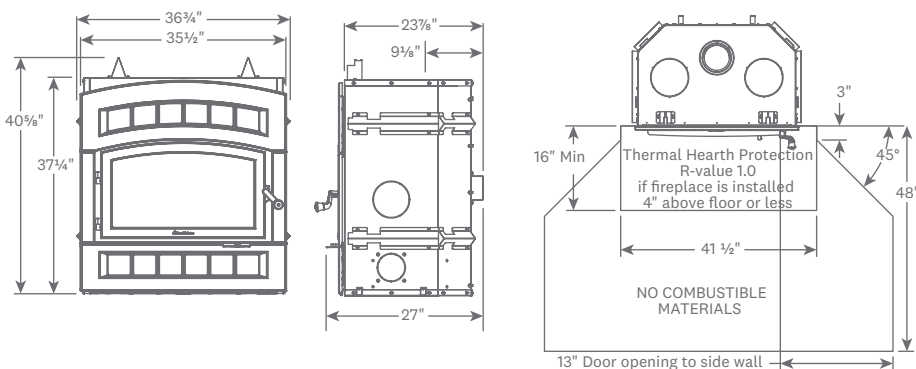
Our ZC wood fireplace exceeds 2020 EPA standards. It burns cleanly and efficiently to keep the heat in your home rather than wasting it up the chimney.

### Cast iron design

The cast iron front of the WFP 75 is designed with a hand chiseled texture that offers a uniquely beautiful finish to your fireplace.



## Dimensions & Installation



## Clearances

- Ceiling from bottom of fireplace: 80"
- Mantel from bottom of fireplace: 58"
- Side trim from door opening: 8"
- Side wall from door opening: 13"

## Finish Options



Matte Black



Brown Enamel

## Specifications

HHV Efficiency .....	64%
HeatLife™* .....	8 hours
EPA Certified .....	1.22 g/hr
Heats up to .....	2,200 sq ft
Firebox Capacity .....	2.5 cu ft
BTU .....	Up to 80,000
Maximum Log Length .....	20"
Flue Exit & Diameter .....	Top - 6"
Convection Blower .....	Included

## Accessories<sup>+</sup>

Hot Air Distribution Kit .....	94-99100
Hot Air Distribution Kit, Modern ...	94-99110
Forced Hot Air Kit .....	94-57110
Mantel Shield .....	94-79700
Fire Screen .....	94-69110

Note: All information is for reference only. Refer to the owner's manual for full specification and installation details.

\* See the Accessories section at the end of the catalog for more information.

\* Under the right conditions, you will be able to start a new fire with kindling up to the end of the product's HeatLife™.

Wood ZC Fireplaces

# WFP 100 Model 8420

Double doors provide a wide view into our largest fireplace.



**Efficiency**

64%

HHV



**HeatLife™**

10

Hours



**EPA Certified**

1.6

g/hr



## Features

### Zero Clearance Fireplace

Our ZC fireplace is designed to be built near combustible materials. It takes up less space and is easier and less expensive to install when compared to traditional masonry fireplaces.

### Clean burning + efficient

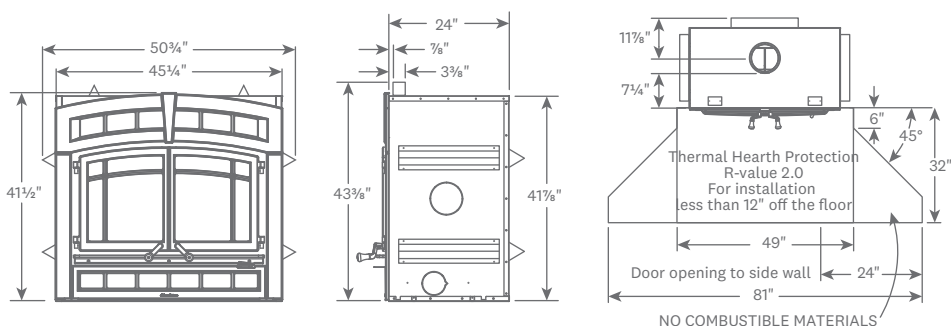
Our ZC wood fireplace exceeds 2020 EPA standards. It burns cleanly and efficiently to keep the heat in your home rather than wasting it up the chimney.

### Cast iron design

The cast iron front of the WFP 100 is designed with double doors which offer a wide view of the clean and efficient fire.



### Dimensions & Installation



### Specifications

HHV Efficiency .....	64%
HeatLife™* .....	10 hours
EPA Certified .....	1.6 g/hr
Heats up to .....	2,800 sq ft
Firebox Capacity .....	4.28 cu ft
BTU .....	Up to 95,000
Maximum Log Length .....	25"
Flue Exit & Diameter .....	Top - 8"
Convection Blower .....	Included

### Clearances

- Ceiling from bottom of fireplace: 84"
- Side trim from door opening: 8"
- Side wall from door opening: 24"

### Finish Options



Matte Black



Brown Enamel

### Accessories†

- Hot Air Circulation Kit .....
- Forced Hot Air Kit .....

Note: All information is for reference only. Refer to the owner's manual for full specification and installation details.

\* See the Accessories section at the end of the catalog for more information.

† Under the right conditions, you will be able to start a new fire with kindling up to the end of the product's HeatLife™.

Wood Cook Stove

# Deva

Model 8220

A full service range powered by wood, the Deva is perfect for living off grid.



## Features

---

### Baking Oven

The ample oven is constructed from stainless steel, equipped with racks, visible and large enough to cook a 20 pound turkey.

### Ceramic glass cook top

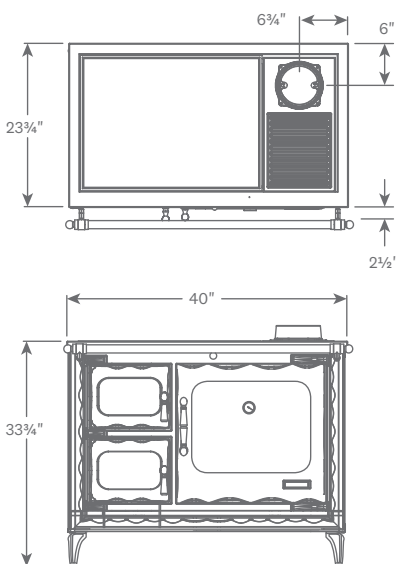
The ceramic glass cooking surface is easy to clean, scratch resistant, and spacious enough for a number of pots and pans.

### Temperature control

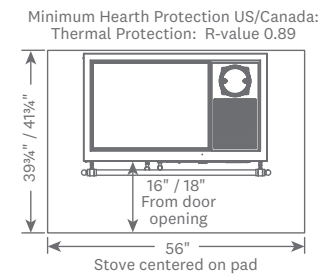
Keep a consistent temperature when baking by adjusting a simple control which regulates the amount of hot air circulating around the oven.



### Dimensions



### Hearth Protection



### Specifications

- Firebox Capacity .....1.6 cu ft
- BTU.....Up to 46,000
- EPA Rating.....Exempt
- Maximum Log Length .....17"
- Flue Exit & Diameter.....Top or Rear - 6"
- Oven Capacity.....2.5 cu ft
- Ash Pan .....Included
- Actual Weight .....484 lbs

### Finish Options



Black Enamel

Note: All information is for reference only. Refer to the owner's manual for full specification and installation details.

The Gas Family

# Bristol DX Model 8763

The best looking cast iron gas stove available today.



## Features

---

### Style and Quality

Beautiful designs, careful craftsmanship and reliable technology. The quality of our products is displayed in the intricate details of the cast iron and the warm flickering glow of the fire.

### Fully loaded convenience

Our DX gas stoves include a built-in blower and thermostatic remote control. Adjust the fire, the room temperature, and the blower all from the comfort of your couch.

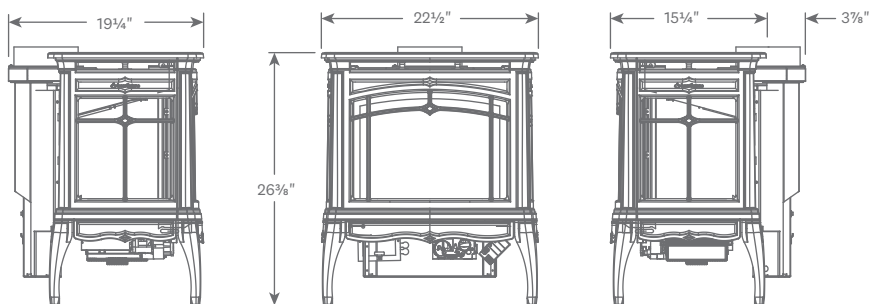
### True efficiency

The Bristol includes a cast iron heat exchanger and a built-in blower to circulate more heat into your home.





### Dimensions



### Clearances



Floor Protection:  
Non-combustible surface or wood floor

### Finish Options



Brown Enamel



Basil Enamel



Matte Black

### Specifications

Heats up to.....	1,400 sq ft
Steady State Efficiency.....	73.2%
P.4.1.09 Efficiency.....	68.2%
Burn Rate Range NG .....	18k-26k BTU/hr
Burn Rate Range LP .....	16k-26k BTU/hr
Venting.....	Top, 4" x 6-5/8" DV
Ignition System .....	Maxitrol GV60
Burner .....	Ceramic Burner
Convection Blower.....	Included
Remote Control .....	Included
Safety Barrier Screens .....	Included
LP Conversion Kit .....	Included
Mobile Home Certified.....	Yes
Weight .....	170 lbs.

### Accessories

Wall Touch Pad .....	7000-260
----------------------	----------

Note: All information is for reference only. Refer to the owner's manual for full specification and installation details.

The Gas Family

# Waitsfield DX Model 8770

HearthStone's original classic three sided gas stove.



## Features

---

### A versatile heater

The Waitsfield DX presents a beautifully balanced fire at a wide range of operating levels. It has a 2-stage burner that let's you turn the stove up high or down low for more or less heat and light.

### Easy, on-demand comfort

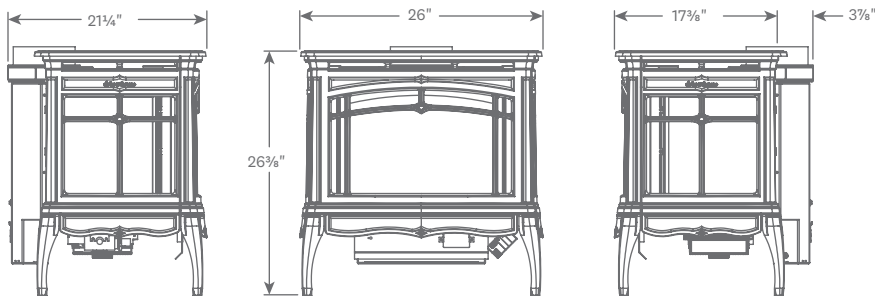
The Waitsfield DX includes an easy to use remote control. Turn the stove on, adjust the flame, set the room temperature, and adjust the blower to keep the room cozy.

### Convective heat

The Waitsfield DX includes a cast iron heat exchanger and a built-in blower to distribute the heat around your room for comfort and lower energy costs.



### Dimensions

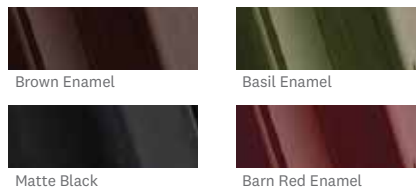


### Clearances



Floor Protection:  
Non-combustible surface or wood floor

### Finish Options



### Specifications

Heats up to.....	1,800 sq ft
Steady State Efficiency.....	77.4%
P.4.1.09 Efficiency.....	70.0%
Burn Rate Range NG .....	18k-37k BTU/hr
Burn Rate Range LP .....	16k-37k BTU/hr
Venting.....	Top, 4" x 6-5/8" DV
Ignition System .....	Maxitrol GV60
Burner .....	2-Stage Ceramic
Convection Blower.....	Included
Remote Control .....	Included
Safety Barrier Screens .....	Included
LP Conversion Kit .....	Included
Mobile Home Certified.....	Yes
Weight .....	215 lbs.

### Accessories

Wall Touch Pad .....	7000-260
----------------------	----------

The Gas Family

# Stowe Model 8325

The Stowe is compact, easy to use, and reliable addition to your living space.



## Features

---

### Enameled cast iron

The small size and beautiful style of this cast iron stove inspired us to offer it in our unique oyster enamel, as well as our classic brown enamel and matte black.

### Easy to use

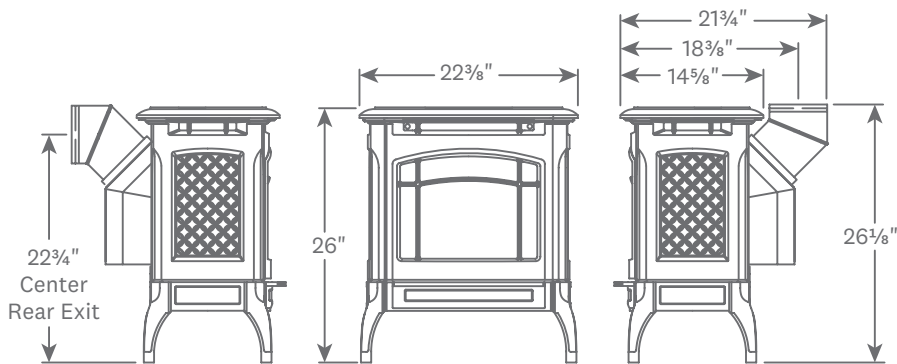
The Stowe 8325 maintains a standing pilot which will shut off after 7 days of inactivity. It can be run manually, with a standard or programmable thermostat, or with an optional remote control.

### Efficiency you can feel

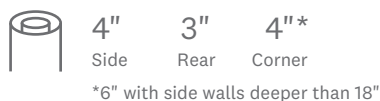
In addition to burning cleanly, the Stowe uses a cast iron heat exchanger to move the heat from the fire into your home, not up the chimney.



## Dimensions

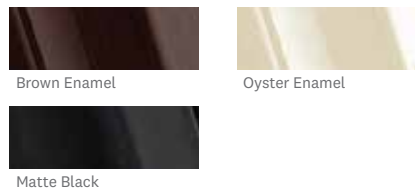


## Clearances



Floor Protection:  
Non-combustible surface or wood floor

## Finish Options



## Specifications

Heats up to.....	1,200 sq ft
Steady State Efficiency.....	80.1%
P.4.1.09 Efficiency.....	75.7%
Burn Rate Range NG .....	15k-22.4k BTUs/hr
Burn Rate Range LP .....	15k-22.4k BTUs/hr
Venting.....	45°, 4" x 6-5/8" DV
Ignition System .....	SIT 820, 7 day timeout
Burner .....	Ceramic Burner
Convection Blower .....	Optional
Remote Control .....	Optional
Safety Barrier Screens.....	Included
LP Conversion Kit .....	Included
Mobile Home Certified.....	Yes
Weight .....	155 lbs.

## Accessories

Convection Blower .....	93-57230
Remote Control Kit .....	90-56914

Note: All information is for reference only. Refer to the owner's manual for full specification and installation details.

The Gas Family

# Champlain *Model 8304*

The Champlain will add a touch of classic style to you room.



## Features

---

### Artfully balanced fire

The Champlain gas stove has been carefully designed to present a balanced, gently flickering fire on both low and high settings.

### Convenient control

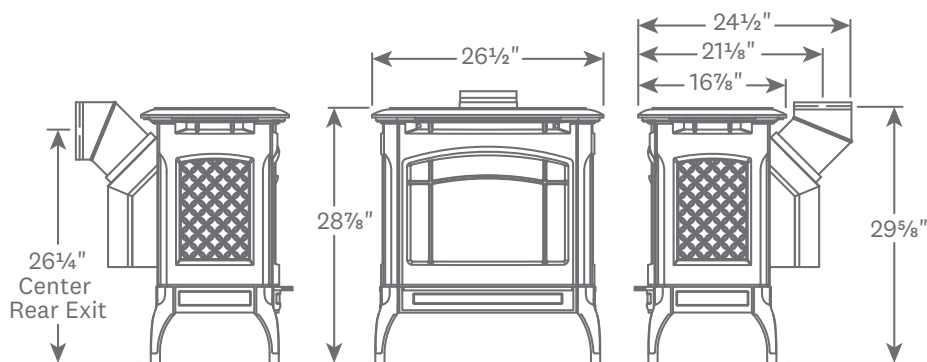
The Champlain 8304 maintains a standing pilot which will shut off after 7 days of inactivity. It can be run manually, with a standard or programmable thermostat, or with an optional remote control.

### True efficiency

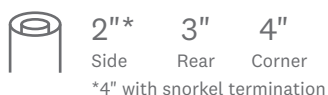
The Champlain includes a cast iron heat exchanger above the fire. Natural convective airflow moves air through the vents of the stove to warm your room.



### Dimensions



### Clearances



Floor Protection:  
Non-combustible surface or wood floor

### Finish Options



Matte Black

Brown Enamel

### Specifications

- Heats up to..... 1,800 sq ft
- Steady State Efficiency ..... 74.6%
- P.4.1.09 Efficiency ..... 67.9%
- Burn Rate Range NG..... 21k-35k BTUs/hr
- Burn Rate Range LP ..... 21k-35k BTUs/hr
- Venting ..... 45°, 4" x 6-5/8" DV
- Ignition System..... SIT 820, 7 day timeout
- Burner..... Pan Burner
- Convection Blower ..... Optional
- Remote Control ..... Optional
- Safety Barrier Screens..... Included
- LP Conversion Kit ..... Included
- Mobile Home Certified ..... Yes
- Weight ..... 220 lbs.

### Accessories

- Convection Blower ..... 93-57020
- Remote Control Kit ..... 90-56914

Note: All information is for reference only. Refer to the owner's manual for full specification and installation details.

# Accessories

## Wood Fireplace Inserts



Surround Base Caps



Surround Extension



GMI-70

Steel Surround  
31.5"



Lower Panel  
5.75"



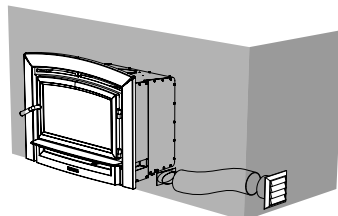
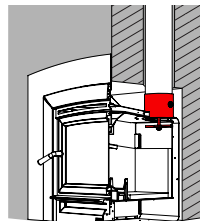
GMI-90

34.5"



Surround Extension: 4", trim to 2"

Liner Hook-up



### Surround Base Caps, Clydesdale ..... 94-5970610/20

The surround caps are an aesthetic addition to the surround that continue the lines of the ash lip. Made of cast iron and finished to match the insert, the caps attach to the surround with magnets.

### Surround Extension, Clydesdale.....94-5970010

The surround extension covers an additional 6 inches of space beyond the standard cast iron surround. It is made of extruded aluminum with a black finish and contoured to match the Clydesdale styling.

### Steel Surround, GMI-70..... 94-5950110

The steel surround panel attaches to the back of the cast iron faceplate.

### Steel Surround, Lower Panel, GMI-70 .....94-5970510

The Surround Lower Panel adds a lower panel to complete a 4 sided surround. Use for elevated hearth installations.

### Steel Surround, GMI-90 ..... 94-5960010

Steel surround, 3-piece assembly.

### Surround Extension, GMI-70 ..... 94-5950010

### Surround Extension, GMI-90..... 94-5960110

The surround extension is installed between the cast iron faceplate and the steel surround, reducing the hearth depth required to install the fireplace insert.

### Liner Hook-Up Starter Collar ..... 94-67500

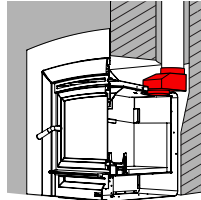
The Liner Hook-Up Starter Collar connects to your chimney liner before you install the insert in the fireplace. It can then be easily and safely secured to the insert after the insert is placed in the fireplace, making the whole installation process easier.

### Outside Air Adapter, GMI-70 ..... 94-53500

### Outside Air Adapter, GMI-90.....94-59600

Connect an outside air source directly to your fireplace insert. Recommended for air tight homes. 5 inch flexible pipe not included.



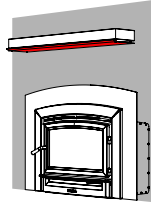


**Offset Liner Adapter, GMI-90, GMI-70..... 5700-007**

The offset adapter moves the connection point between the insert and the chimney liner up to 6 inches back.



Mantel Shield



**Mantel Shield..... 94-79700**

The mantel shield attaches to bottom of a combustible mantel to reduce clearances per NFPA 211 standards. Attach to the mantel with screws and ceramic spacers. 48 inches wide. It can be cut to fit specific installations.



Fire Screen, GMI-70



Fire Screen, GMI-90, WFP-75

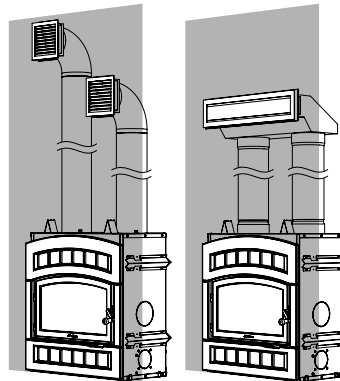
**Fire Screen, GMI-70..... 94-69500**

**Fire Screen, GMI-90 ..... 94-69600**

**Fire Screen, WFP-75..... 94-69110**

The Fire Screen allows the user to burn the fireplace with the door open to enjoy the direct fire.

**Wood Zero Clearance Fireplaces**



**Hot Air Distribution Kit, WFP-75 ..... 94-99100**

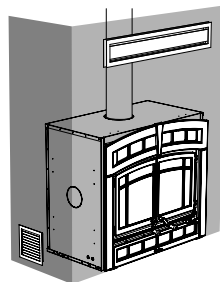
Two hot air vents are piped from the fireplace and use the built-in fireplace blower to move hot air into the room. The vents can be placed independently in other rooms if desired.



Modern Kit

**Hot Air Distribution Kit, Modern, WFP-75 ... 94-99110**

One linear vent is piped from the fireplace and uses the built-in fireplace blower to move hot air into the room. The vent must be installed directly above the fireplace.

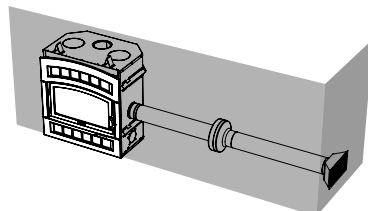


**Hot Air Circulation Kit, WFP-100..... 94-99200**

The kit includes two vents which encourage air movement through the wall cavity where the fireplace is installed, moving warm air into the room. The vents allow the flow of ambient air. They are not connected to the fireplace.



WFP-75



**Forced Hot Air Kit, WFP-75 ..... 94-57110**

**Forced Hot Air Kit, WFP-100 ..... 94-57200**

The forced hot air kit uses a blower to move hot air from the fireplace to other areas of the house. It can be connected to either side of the fireplace. Insulated pipe with a maximum run of 50 feet is recommended.



WFP-100

# Accessories



**Soapstone Steamer..... 90-99112**

Recommended for all wood burning stoves, the steamer adds moisture to the air to help balance the drying effects of a wood fire. Just fill the steamer pot with water and set it on your stove. They're great for aromatherapy too. Simply add some essential oils or fragrant herbs to the water.



**Leather Safety Gloves..... 90-99031**

Durable and dependable, our leather safety gloves are thick and protective, with a soft inner lining. One size fits all.



**Stove Top Thermometer .....90-99120**

Recommended for soapstone stoves, the stove top thermometer helps you keep your stove burning within the optimal temperature range for safe and efficient heating.



**Draft Inducing Flue Collar.....90-99099**

Recommended for installations with poor draft, the draw collar heats up your chimney to ensure a proper draft. Fits 6" flue.



**Draft Meter ..... 90-99000**

Recommended for wood stoves installations, the draft meter allows you to measure the draft in your chimney. Proper draft is necessary for clean and efficient wood burning.



**Outside Air Increaser, 3" to 4".....90-53308**

Use the increaser for longer outside air pipes to make sure enough fresh air is reaching your stove.



**Wall touch pad.....7000-260**

The wall touch pad can be installed on a wall to turn your stove on/off and adjust the flame height. This accessory works with all of our stoves that use the Maxitrol GV60 ignition system.



## Finishes and Paint

Keep your stove or fireplace looking shiny and new. Choose from matte black spray cans for cast iron parts, filler and touch-up paint to match enamel, charcoal spray cans for HASE steel products, and gas vent pipe paint to match your stove.



Tempered Glass Hearth Pad, Circular, Diameter: 35½" .....91-84800  
 Tempered Glass Hearth Pad, D-Shaped, 33½" x 43½" ..... 91-84750  
 Tempered Glass Hearth Pad, Square, 39½" x 39½" .....91-84400  
 Tempered Glass Hearth Pad, Semi-Circular, 55" x 43¼" .....91-84700

# Specifications : Wood stoves

	Castleton 8031	Heritage 8024	Mansfield 8013	Craftsbury 8392	Shelburne 8372	Manchester 8362	
<b>Specifications</b>							
Firebox capacity (1)	1.9 cf	2.2 cf	3.2 cf	1.32 cf	2.0 cf	2.45 cf	
Maximum log length	18"	21"	21"	16"	18"	24"	
Flue exit & diameter	top / rear <sup>+</sup> - 6"	top / rear <sup>+</sup> - 6"	top / rear <sup>+</sup> - 6"	top / rear <sup>+</sup> - 6"	top / rear <sup>+</sup> - 6"	top / rear <sup>+</sup> - 6"	
Ash pan	n/a	optional	optional	n/a	n/a	included	
Convection Blower	optional	optional	optional	optional	optional	optional	
Mobile-home certified	yes	yes	yes	yes	yes	yes	
Alcove certified (2)	yes	yes	yes	yes	yes	yes	
Actual weight (lbs)	475	535	605	350	385	520	
Shipping weight (lbs)	520	580	650	375	430	555	
<b>Performance</b>							
Combustion technology	TruHybrid	TruHybrid	TruHybrid	TruHybrid	TruHybrid	TruHybrid	
Efficiency HHV (4)	77%	77%	78%	79%	79%	78%	
HeatLife™ up to (6)	20 hours	25 hours	30 hours	16 hours	24 hours	30 hours	
EPA Certified	0.69 g/hr	0.54 g/hr	0.54 g/hr	1.07 g/hr	0.6 g/hr	0.65 g/hr	
Heating capacity up to (5)	1,500 sq. ft.	2,000 sq. ft.	2,500 sq. ft.	1,400 sq. ft.	2,000 sq. ft.	2,400 sq. ft.	
BTUs (3)	45,000	60,000	80,000	40,000	60,000	75,000	
<b>Clearances (7)</b>							
Side of stove to side wall	S	17"	16" *	23"	14"	13"	18 *
	D	17"	16" *	23"	14"	13"	16 *
Back of stove to back wall	S	15"	16"	19"	13¾" / 16"§	11" / 17½"§	16
	D	8"	6"	6"	9¾"	5"	6 (8)
Corner of stove to side wall	S	8"	8" *	14"	7" / 14"§	7" / 10"§	9 *
	D	8"	8" *	14"	7"	7"	9 *
Minimum hearth pad size US inches (9)	31½" W x 37" D	47" W x 39" D	34" W x 40" D	31½" W x 33" D	33¾" W x 33½" D	48" W x 36¾" D	
Minimum hearth pad size Canada inches (9)	41" W x 47" D	50½" W x 42" D	41" W x 49½" D	40" W x 43" D	42" W x 43½"	56" W x 44" D	
Minimum Hearth Protection	Ember Protection	Ember Protection	Ember Protection	Ember Protection	Ember Protection	Ember Protection	

**S** Single-wall pipe, no heat shield

**D** Double-wall pipe, w/ rear heat shield

\* Applies to the side/corner opposite the side load door. If the side door lock kit is installed, side/corner clearance applies to both sides/rear corners.

<sup>+</sup> Refer to the owner's manual for rear exit requirements.

<sup>§</sup> No rear heat shield. (Included rear heat shield removed)

Note: Always refer to the HearthStone Owner's Manual and the local authority having jurisdiction in your area for the specific installation requirements for your product.

# Specifications : Wood stoves

		GM40 8640	GM60 8660	GM80 8680	Bari 8171	Bari Plus 8172
<b>Specifications</b>						
Firebox capacity (1)		1.32 cf	2.0 cf	3.1 cf	1.25 cf	1.25 cf
Maximum log length		16"	18"	23"	--	--
Flue exit & diameter		top - 6"	top - 6"	top - 8"	top - 6"	top - 6"
Ash pan		n/a	n/a	n/a	included	included
Convection Blower		optional	optional	optional	n/a	n/a
Mobile-home certified		yes	yes	yes	no	no
Alcove certified (2)		yes	yes	yes	yes	yes
Actual weight (lbs)		350	405	550	310	425
Shipping weight (lbs)		375	450	575	375	490
<b>Performance</b>						
Combustion technology		TruHybrid	TruHybrid	TruHybrid	TruHybrid	TruHybrid
Efficiency HHV (4)		79%	79%	81%	76%	76%
HeatLife™ up to (6)		16 hours	24 hours	30 hours	14 hours	16 hours
EPA Certified		1.07 g/hr	0.6 g/hr	0.7 g/hr	0.94 g/hr	0.94 g/hr
Heating capacity up to (5)		1,400 sq. ft.	2,000 sq. ft.	2,500 sq. ft.	1,400 sq. ft.	1,400 sq. ft.
BTUs (3)		40,000	60,000	80,000	35,000	35,000
<b>Clearances (7)</b>						
Side of stove to side wall	S	14"	13"	13"	38" * / 13" *	38" * / 13" *
	D	14"	13"	13"	38" * / 13" *	38" * / 13" *
Back of stove to back wall	S	13¾" / 16"§	11" / 17½"§	8"	13" * / 11" *	13" * / 11" *
	D	9¾"	5"	5"	13" * / 11" *	13" * / 11" *
Corner of stove to side wall	S	7" / 14"§	7" / 10"§	7"	10" *	10" *
	D	7"	7"	7"	10" *	10" *
Minimum hearth pad size US inches (9)		31½" W x 33" D	33¼" W x 33½" D	41½" W x 40" D	51" W x 39½" D	51" W x 39½" D
Minimum hearth pad size Canada inches (9)		40" W x 43" D	42" W x 43½" D	45" W x 50" D	55" W x 43½" D	55" W x 43½" D
Minimum Hearth Protection		Ember Protection	Ember Protection	Ember Protection	Ember Protection	Ember Protection

§ No rear heat shield.  
(Included rear heat shield removed)

\* Bari / Bari Plus: stove free to rotate

\* Bari / Bari Plus: stove locked in position

Note: Always refer to the HearthStone Owner's Manual and the local authority having jurisdiction in your area for the specific installation requirements for your product.

# Specifications : Wood Fireplaces & Inserts

	Clydesdale 8492	GMI 90 8460	GMI 70 8450	WFP 75 8411	WFP 100 8420
<b>SPECIFICATIONS</b>					
Firebox capacity (1)	2.4 cu. ft.	2.5 cu. ft.	2.4 cu. ft.	2.5 cu. ft.	4.28 cu. ft.
Maximum log length	22"	20"	20"	20"	25"
Flue exit & diameter	top - 6"	top - 6"	top - 6"	top - 6"	top - 8"
Ash pan	n/a	n/a	n/a	n/a	n/a
Convection Blower	included	included	included	included	included
Mobile-home certified	no	no	no	no	no
Alcove certified (2)	no	no	no	no	no
Actual weight (lbs)	550	440	428	400	665
Shipping weight (lbs)	585	475	484	-	-
<b>PERFORMANCE</b>					
Combustion technology	TruHybrid	Non-catalytic	Non-catalytic	Non-catalytic	Non-catalytic
Efficiency HHV (4)	79%	64%	69%	64%	64%
HeatLife™ up to (6)	24 hours	8 hours	10 hours	8 hours	10 hours
EPA Certified	1.16 g/hr	1.22 g/hr	1.54 g/hr	1.22 g/hr	1.6 g/hr
Heating capacity up to (5)	2,000 sq. ft.	2,200 sq. ft.	2,000 sq. ft.	2,200 sq. ft.	2,800 sq. ft.
BTUs (3)	60,000	80,000	70,000	80,000	95,000
<b>CLEARANCES (7)</b>					
Door opening to side wall	15 <sup>5</sup> / <sub>8</sub> "	19"	16"	13"	24"
Mantel height	39 <sup>1</sup> / <sub>2</sub> " §	40 <sup>3</sup> / <sub>4</sub> " §	50" §	58" §	N/A
Minimum fireplace opening	23 <sup>1</sup> / <sub>4</sub> " H x 32 <sup>1</sup> / <sub>2</sub> " W x 13" D	27 <sup>1</sup> / <sub>8</sub> " H x 31 <sup>3</sup> / <sub>4</sub> " W x 22 <sup>1</sup> / <sub>8</sub> " D <sup>¶¶</sup>	24" H x 29" W x 20" D <sup>¶</sup>	N/A	N/A
Minimum hearth pad size US inches (9)	38" W x 16" D	41 <sup>1</sup> / <sub>2</sub> " W x 16" D	36" W x 16" D	41 <sup>1</sup> / <sub>2</sub> " W x 16" D	49 W x 32" D
Minimum hearth pad size Canada inches (9)	47" W x 18" D	48" W x 18" D	43" W x 18" D	41 <sup>1</sup> / <sub>2</sub> " W x 18" D	49 W x 32" D
Minimum Hearth Protection	Hearth less than 7" tall: R-value 1.5	Noncombustible ember protection only	Hearth less than 5" tall: R-value 1.0	Hearth 4" or less below fireplace: R-value 1.0	R-value 2.0 if less than 12" from the floor

§ From bottom of product  
 ¶ 16 inches with optional surround extension  
 ¶¶ 18<sup>1</sup>/<sub>2</sub> inches with optional surround extension

Note: Always refer to the HearthStone Owner's Manual and the local authority having jurisdiction in your area for the specific installation requirements for your product.

# Specifications : Gas stoves

	Waitsfield DX 8770	Bristol DX 8763	Champlain 8304	Stowe 8325
<b>Specifications</b>				
Venting	Top, 4" x 6 <sup>5</sup> / <sub>8</sub> " DV	Top, 4" x 6 <sup>5</sup> / <sub>8</sub> " DV	45°, 4" x 6 <sup>5</sup> / <sub>8</sub> " DV	45°, 4" x 6 <sup>5</sup> / <sub>8</sub> " DV
Venting: Minimum Vertical Rise	36 in. (from top of stove)	24 in. (from top of stove)	24 in. see owner's manual	9 in.
Ignition System	Maxitrol GV60 on-demand pilot	Maxitrol GV60 on-demand pilot	SIT 820 Nova 7 day timeout	SIT 820 Nova 7 day timeout
Burner	2-Stage Ceramic	Ceramic	Stainless steel pan	Ceramic
On-Off Switch	On-Off-Remote	On-Off-Remote	yes	yes
Remote Control	Included	Included	no	no
Convection Blower 110 CFM	Included	Included	Optional	Optional
Safety Barrier Screens	Included	Included	Included	Included
LP Conversion Kit *	Included	Included	Included	Included
Mobile-home certified	Yes	Yes	Yes	Yes
Actual weight (lbs)	215	170	220	155
<b>Performance</b>				
Heating capacity up to (12)	1,800 sq. ft.	1,400 sq. ft.	1,800 sq. ft.	1,200 sq. ft.
Burn Rate Range NG (BTUs/hr)	18,000 to 37,000	18,000 to 26,000	21,000 to 35,000	15,000 to 22,400
Burn Rate Range LP (BTUs/hr)	16,000 to 37,000	16,000 to 26,000	23,000 to 35,000	15,000 to 22,400
Steady State Efficiency (11)	77.4% NG 77.4% LP	73.2% NG 73.2% LP	74.6% NG 74.6% LP	80.1% NG 80.1% LP
P.4.1.09 Fireplace Efficiency (10)	70.0% NG / LP	68.2% NG / LP	67.9% NG / LP	75.7% NG / LP
<b>Clearances (13)</b>				
Side	16"	10"	2", 4" with snorkel	4" **
Rear	2"	2"	3"	3"
Corner	11"	4"	4"	4"
Hearth Protection	Non-combustible surface or wood floor	Non-combustible surface or wood floor	Non-combustible surface or wood floor	Non-combustible surface or wood floor

\* All products ship ready to burn natural gas.

\*\* 6" with side walls deeper than 18"

Note: Always refer to the HearthStone Owner's Manual and the local authority having jurisdiction in your area for the specific installation requirements for your product.

# Specifications : Reference information

## Gas



(10) P.4.1.09 Fireplace Efficiency informs the Canadian **EnerGuide** rating. **EnerGuide** is a Government of Canada rating system that provides consumers with comparative information on the energy performance of energy-using products sold in Canada.

For more information on the **EnerGuide** Program, please visit the **EnerGuide** Web site: [oeenrccan.gc.ca/equipment](http://oeenrccan.gc.ca/equipment)

(11) Steady state efficiencies vary dependent upon installation, venting configuration, altitude, gas values, and other installation variables.

(12) Heating capacity is an approximation dependent upon floor plan, ceiling height, house construction, venting configuration, heat loss, and geographic location of home.

(13) All measurements are taken from the closest surface of the unit. Clearances in this catalog are for reference only. Refer to Owner's Manual for exact specifications prior to installation.

## Wood

(1) The amount and weight of wood contained per cubic foot of firebox volume can vary from 15 to 36 lbs. per cubic foot depending on type of wood, moisture content, packing density, and other factors. As a constant for comparison and test purposes, we are assuming 20 lbs. of seasoned hardwood per cubic foot of firebox volume.

(2) See Owner's Manual for specific alcove clearances and alcove hearth pad requirements.

(3) Heat output will vary depending on frequency of loading, the dryness and quality of wood used, packing density, and other installation variables.

(4) Notes on HHV efficiency: HHV efficiency is published by the EPA on the Certified Wood Heater Database\*. HearthStone publishes Higher Heating Value (HHV) efficiency percentages. These HHV values are LOWER than LHV by 5-7%, yet many manufactures choose to publish the LHV percentages to improve their appearance. LHV is used by the IRS to qualify products for tax credits. When comparing products, make sure you're comparing LHV to LHV or HHV to HHV.

\* <https://cfpub.epa.gov/oarweb/woodstove/index.cfm?fuseaction=app.search>

(5) Heating capacity is an approximation dependent upon type of wood, loading configuration, floor plan, ceiling height, house construction, venting configuration, heat loss, geographic location of home, and other usage and regional variables.

(6) HeatLife™ is a trademark of HearthStone Quality Home Heating Products and is defined as the quantity of heat stored within the thermal mass of the stove. Used here, it refers not just to burn time but to total hours of usable heat from a single load of fuel.

(7) Clearances on this page are for reference only. Refer to the Owner's Manual for exact specifications prior to installation.

(8) The Manchester rear heat shield is built in; there is an optional Close Clearance heat shield which may further reduce rear clearances to 6".

(9) See Owner's Manual for specific hearth material and R-value requirements.



[www.hearthstonestoves.com](http://www.hearthstonestoves.com)

Hearthstone Quality Home Heating Products, Inc.  
317 Stafford Avenue, Morrisville Vermont 05661 USA