

Radiant Plus MV Medium Insert Owner's Manual



⚠ WARNING: FIRE OR EXPLOSION HAZARD

Failure to follow safety warnings exactly could result in serious injury, death, or property damage.

- Do not store or use gasoline or other flammable vapors and liquids in the vicinity of this or any other appliance.
- **WHAT TO DO IF YOU SMELL GAS**
 - Do not try to light any appliance.
 - Do not touch any electrical switch; do not use any phone in your building.
 - Leave the building immediately
 - Immediately call your gas supplier from a neighbor's phone. Follow the gas supplier's instructions.
 - If you cannot reach your gas supplier, call the fire department.
- Installation and service must be performed by a qualified installer, service agency or the gas supplier.

! DANGER



HOT GLASS WILL CAUSE BURNS

DO NOT TOUCH GLASS UNTIL COOLED

NEVER ALLOW CHILDREN TO TOUCH GLASS

A barrier designed to reduce the risk of burns from the hot viewing glass is provided with this appliance and shall be installed for the protection of children and other at-risk individuals.



Listed by
Omni-Test Laboratories, Inc.
Report # 0028GN101S
ANSI Z21.88:19
CSA 2.33:19

- **Direct Vent Fireplace Insert**
- **Residential or Mobile Home**

This appliance may be installed in an aftermarket, permanently located, manufactured home (USA only) or mobile home, where not prohibited by local codes.

This appliance is only for use with the type of gas indicated on the rating plate. A conversion kit is supplied with the appliance.

INSTALLER: Leave this manual with the appliance.

French language manuals at lopi-stoves.com

CONSUMER: Retain this manual for future reference.

Manuels de langue Française à lopi-stoves.com

Introduction

We welcome you as a new owner of a Radiant Insert. In purchasing this fireplace insert you have joined the growing ranks of concerned individuals whose selection of an energy system reflects both a concern for the environment and aesthetics. It is one of the finest home heaters the world over. This manual will explain the installation, operation, and maintenance of this heater. Please familiarize yourself with the Owner's Manual before operating your heater and save the manual for future reference. Included are helpful hints and suggestions that will make the operation and maintenance of your new heater an easier and more enjoyable experience. We offer our continual support and guidance to help you achieve the maximum benefit and enjoyment from your heater.

Important Information

No other Radiant Insert has the same serial number as yours. The serial number is attached to the appliance near the gas control valve.

This serial number will be needed in case you require service of any type.

Model: Radiant Plus MV Medium

Serial Number: _____

Purchase Date: _____

Purchased From: _____

Register your warranty online at:

traviswarranty.com

Save Your Bill of Sale.

To receive full warranty coverage, you will need to show evidence of the date you purchased your heater.

We suggest that you attach your Bill of Sale to this page so that you will have all the information you need in one place should the need for service or information occur.

Listing Details

This appliance was listed by Omni-Test Laboratories, Inc. The listing label is attached to the appliance near the gas control valve. A copy is shown on page 43.

Massachusetts Approval

This manual has been submitted to the Massachusetts Board of State Examiners of Plumbers and Gas Fitters.

National Fireplace Institute



We suggest that our gas hearth products be installed and serviced by professionals who are certified in the U.S. by the National Fireplace Institute® (NFI) as NFI Gas Specialists.

<u>Introduction</u>	<u>2</u>	<u>Glass Frame Removal and Installation.....</u>	<u>24</u>
<u>Important Information.....</u>	<u>2</u>	<u>Glass Frame Removal and Installation</u>	
<u>Listing Details.....</u>	<u>2</u>	<u>(continued)</u>	<u>25</u>
<u>Features</u>	<u>6</u>	<u>Face Installation.....</u>	<u>26</u>
<u>Installation Options.....</u>	<u>6</u>	<u>Log Installation</u>	<u>27</u>
<u>Heating Specifications.....</u>	<u>6</u>	Rock Wool Placement.....	30
<u>Dimensions</u>	<u>6</u>	Ember Placement	30
<u>Electrical Specifications (for optional blower)</u>	<u>6</u>	<u>Steps for Finalizing the Installation</u>	<u>31</u>
<u>Fuel.....</u>	<u>6</u>	Pilot Flame Inspection.....	31
<u>Installation Warnings.....</u>	<u>7</u>	Air Shutter Adjustment	32
<u>Packing List.....</u>	<u>7</u>	<u>Before You Begin.....</u>	<u>33</u>
<u>Additional Items Required.....</u>	<u>7</u>	<u>Location of Controls.....</u>	<u>33</u>
<u>Order of Installation</u>	<u>7</u>	<u>Starting the Pilot</u>	<u>34</u>
<u>Fireplace Requirements</u>	<u>8</u>	<u>Pilot Fuel Conservation Timer</u>	<u>35</u>
Fireplace Converted Tag	8	<u>Starting the Heater for the First Time</u>	<u>35</u>
Factory-Built (Metal) Wood-Burning Fireplace		<u>Turning the Heater On and Off</u>	<u>36</u>
Requirements.....	9	<u>Adjusting the Flame Height</u>	<u>36</u>
Hearth Requirements.....	9	<u>Adjusting the Blower Speed (Optional).....</u>	<u>37</u>
<u>Leveling Legs</u>	<u>10</u>	<u>Normal Operating Sounds</u>	<u>37</u>
<u>Electrical Requirements for Optional Blower</u>	<u>10</u>	<u>Normal Operating Odors</u>	<u>37</u>
<u>Clearances</u>	<u>11</u>	<u>Power Outages.....</u>	<u>37</u>
Mantel Requirements.....	11	<u>Maintaining Your Heater's Appearance.....</u>	<u>38</u>
<u>Televisions Placed Above the Insert.....</u>	<u>12</u>	Cleaning The Glass.....	38
<u>Gas Line Requirements</u>	<u>13</u>	Cleaning the Face and Panels.....	38
Gas Line Location	13	<u>Yearly Service Procedure</u>	<u>39</u>
Directions for Connecting a Gas Pressure Test		<u>Troubleshooting Table</u>	<u>40</u>
Gauge	13	<u>Replacement Parts List</u>	<u>41</u>
<u>Vent Requirements</u>	<u>14</u>	<u>Wiring Diagram</u>	<u>42</u>
Vent Restrictor	15	Optional Blower Wiring	42
Restrictor Adjustment.....	15	Safety Label.....	43
Vent Installation	16	<u>CONDITIONS & EXCLUSIONS</u>	<u>44</u>
Vent Location.....	16	<u>IF WARRANTY SERVICE IS NEEDED:</u>	<u>44</u>
Vent Configurations	17	<u>LP (Propane) Conversion Instructions</u>	<u>45</u>
Vent Connector Removal and Installation	18	<u>Optional Firebacks.....</u>	<u>48</u>
Altitude Considerations	18	<u>Optional Remote Thermostat</u>	<u>49</u>
Vent Connector Removal and Installation		<u>Optional Blower</u>	<u>50</u>
(continued).....	19		
<u>Surround Panel Installation</u>	<u>23</u>		

- Failure to follow all of the requirements may result in property damage, bodily injury, or even death.

Young children should be carefully supervised when they are in the same room as the appliance. Toddlers, young children and others may be susceptible to accidental contact burns. A physical barrier is recommended if there are at risk individuals in the house. To restrict access to a fireplace or stove, install an adjustable safety gate to keep toddlers, young children and other at risk individuals out of the room and away from hot surfaces.

Children and adults should be alerted to the hazards of high surface temperature and should stay away to avoid burns or clothing ignition. Do not touch the hot surfaces of the heater. Educate all children of the danger of a high-temperature heater.

Due to the high temperature, the heater should be located out of traffic and away from furniture and draperies.

- This unit must be installed by a qualified installer to prevent the possibility of an explosion.
- This appliance must be installed in accordance with all local codes, if any; if not, in U.S.A. follow ANSI Z223.1 and NFPA 54(88), in Canada follow CSA B149.1. In Australia follow AS/NZS 5601.1.
- A manufactured home (USA only) or mobile home OEM installation must conform with the Manufactured Home Construction and Safety Standard, Title 24 CFR, Part 3280, or, when such a standard is not applicable, the Standard for Manufactured Home Installations, ANSI/NCSBCS A225.1, or Standard for Gas Equipped Recreational Vehicles and Mobile Housing, CSA Z240.4. This appliance may be installed in Manufactured Housing only after the home is site located.
- All exhaust gases must be vented outside the structure of the living-area. Combustion air is drawn from outside the living-area structure. The venting must not be connected to a chimney flue serving a separate solid-fuel burning appliance.
- Notify your insurance company before hooking up this fireplace.
- The instructions in this manual must be strictly adhered to. Do not use makeshift methods or compromise in the installation. Improper installation will void the warranty and safety listing.
- This heater is approved for use with natural gas (NG) or propane (LP). Burning the incorrect fuel will void the warranty and safety listing and may cause an extreme safety hazard. Direct questions about the type of fuel used to your dealer.
- Contact your local building officials to obtain a permit and information on any installation restrictions or inspection requirements in your area.
- If the flame becomes sooty, dark orange in color, or extremely tall, do not operate the heater. Call your dealer and arrange for proper servicing.
- It is imperative that control compartments, screens, or circulating air passageways of the heater be kept clean and free of obstructions. These areas provide the air necessary for safe operation.
- Do not operate the heater if it is not operating properly in any fashion or if you are uncertain. Call your dealer for a full explanation of your heater and what to expect.
- Do not store or use gasoline or other flammable liquids in the vicinity of this heater.
- Do not operate if any portion of the heater was submerged in water or if any corrosion occurs. Immediately call a qualified service technician to inspect the appliance and to replace any part of the control system and any gas control which has been under water.

Safety Warnings (continued)

- Because this heater can be controlled by a thermostat there is a possibility of the heater turning on and igniting any items placed on or near the appliance.
- Light the heater using the built-in igniter. Do not use matches or any other external device to light your heater.
- Never remove, replace, modify or substitute any part of the heater unless instructions are given in this manual. All other work must be done by a trained technician. Don't modify or replace orifices.
- The viewing glass should be opened only for conducting service (or lighting the pilot on millivolt units). Suggestions on how to limit the need to restart the pilot during the heating season can be found on page 35
- Allow the heater to cool before carrying out any maintenance or cleaning.
- Operate the heater according to the instructions included in this manual.
- If the main burners do not start correctly turn the gas off and call your dealer for service.
- This unit is not for use with solid fuel.
- Do not place anything inside the firebox (except the optional artwork).
- **Warning:** Do not operate appliance with the glass front removed, cracked, or broken. Replacement of the glass should be done by a licensed or qualified service person.
- Do not throw this manual away. This manual has important operating and maintenance instructions that you will need at a later time. Always follow the instructions in this manual.
- Instruct everyone in the house how to shut gas off to the appliance and at the gas main shutoff valve. The gas main shutoff valve is usually next to the gas meter or propane tank and requires a wrench to shut off.
- A barrier designed to reduce the risk of burns from the hot viewing glass is provided with this appliance and shall be installed for the protection of children and other at-risk individuals.
- If the barrier becomes damaged, the barrier shall be replaced with the manufacturer's barrier for this appliance.
- Clothing or other flammable material should not be placed on or near the appliance.
- Any safety screen, guard, or barrier removed for servicing an appliance must be replaced prior to operating the appliance.
- Installation and repair should be done by a qualified service person. The appliance should be inspected before use and at least annually by a professional service person. More frequent cleaning might be required due to excessive lint from carpeting, bedding material, et cetera. It is imperative that control compartments, burners, and circulating air passageways of the appliance be kept clean.
- **Travis Industries, Inc. grants no warranty, implied or stated, for the installation or maintenance of your heater, and assumes no responsibility of any consequential damage(s).**

Proposition 65 Warning: Fuels used in gas, woodburning or oil fired appliances, and the products of combustion of such fuels, contain chemicals known to the State of California to cause cancer, birth defects, and other reproductive harm.
California Health & Safety Code Sec. 25249.6

Travis Gas Fireplaces, Stoves, and Inserts are protected by one or more of the following patents; U.S. 8,469,021, 7,066,170, 6,602,068, 6,443,726, 6,953,037; Canada 2755517 as well as other U.S. and Foreign Patents pending.

Features

- Works During Power Outages
- Blower Optional
- Interrupted pilot
- Optional Remote Thermostat
- Variable-Rate Heat Output

Installation Options

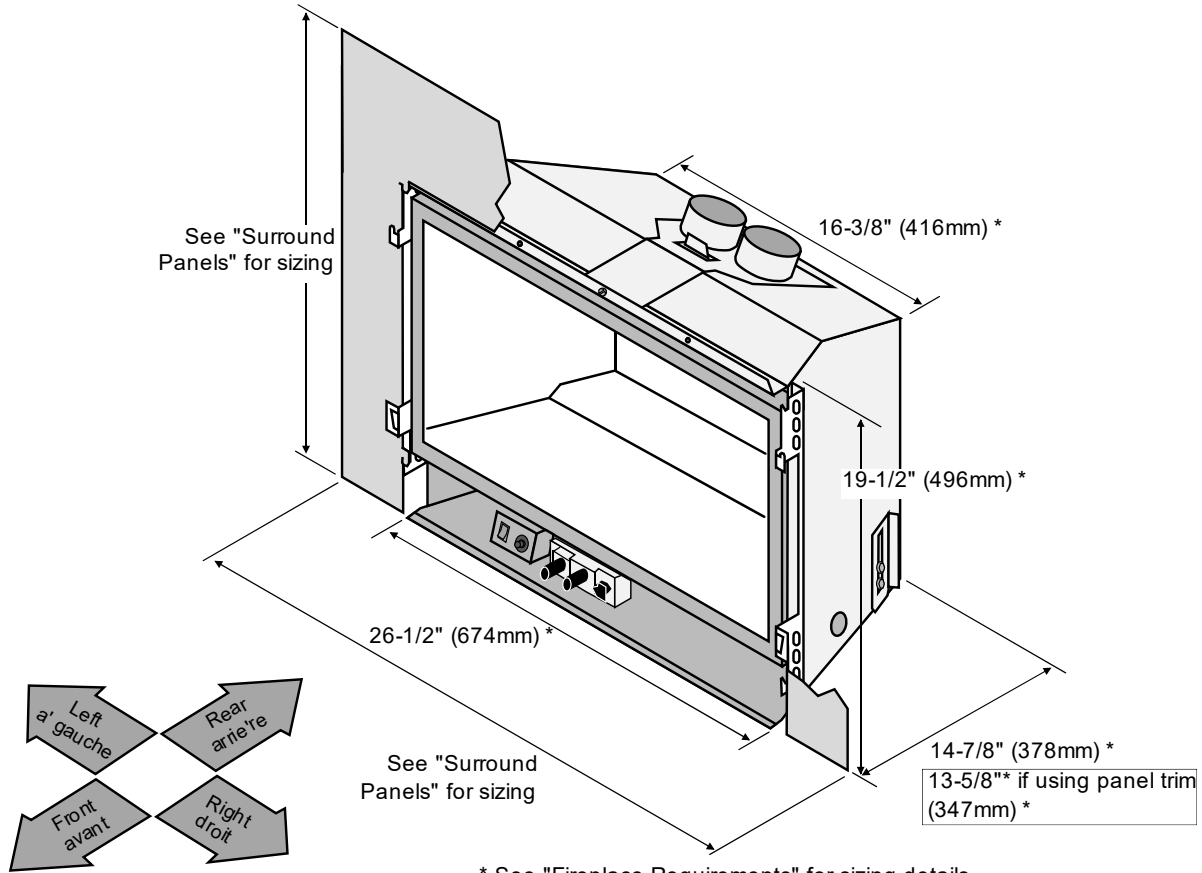
- Residential or Mobile Home
- Fireplace Insert
- Masonry or Factory Built (Metal) Wood-Burning Fireplace
- Natural Gas or Propane

Heating Specifications

	Natural Gas	Propane
Approximate Heating Capacity (in square feet)*	400-1,250	400-1,250
Maximum BTU Input Per Hour	25,000	25,000

* Heating capacity will vary with floor plan, insulation, and outside temperature.

Dimensions



Electrical Specifications (for optional blower)

Blower Electrical Rating 120 Volts, 60 Hz, Max. 0.55 Amps

Fuel

This heater is shipped in natural gas (NG) configuration but may be converted to use propane (LP) using a conversion kit (orifices and LP regulator included).

Installation Warnings

- **Failure to follow all of the requirements may result in property damage, bodily injury, or even death.**
- **This heater must be installed by a qualified installer who has gone through a training program for the installation of direct vent gas appliances.**
- **The installation must conform with local codes or, in the absence of local codes, with the National Fuel Gas Code, ANSI Z223.1/NFPA 54, or the National Gas and Propane Installation Code, CSA B149.1.**
- **In Manufactured or Mobile Homes must conform with Manufactured Home Construction and Safety Standard, Title 24 CFR, Part 3280, or, when such a standard is not applicable, the Standard for Manufactured Home Installations, ANSI/NCSBCS A225.1. This appliance may be installed in Manufactured Housing only after the home is site located.**
- **The heater is designed to operate on natural gas, or propane (LP).**
- **All exhaust gases must be vented outside the structure of the living-area. Combustion air is drawn from outside the living-area structure.**
- **Notify your insurance company before hooking up this heater.**
- **The requirements listed below are divided into sections. All requirements must be met simultaneously. The order of installation is not rigid – the qualified installer should follow the procedure best suited for the installation.**

Packing List

- Propane (LP) Orifices and Regulator
- Log Set (includes embers, rock wool)
- "Fireplace Altered" tag (attach to the fireplace)

Additional Items Required

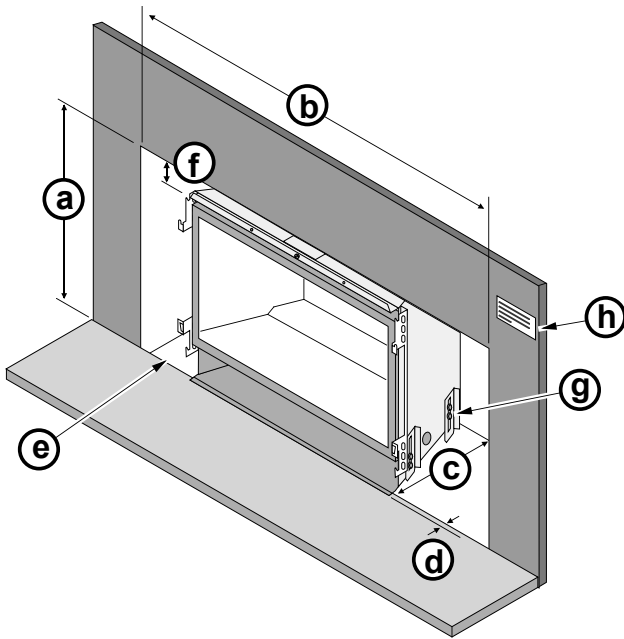
- Faceplate (surround panel may be needed for certain applications)
- Vent/Intake Equipment (see "Vent Requirements")
- Gas Line Equipment (shutoff valve, pipe, etc.)

Order of Installation

- 1 If the heater is to use propane, install the propane conversion kit (see page 45).
- 2 Install gas line into the fireplace (do not connect to unit).
- 3 Position the heater.
- 4 Connect the gas line and gas vent to the appliance.
- 5 Install the optional surround panels.
- 6 Install the optional fireback.
- 7 Install the log set.
- 8 Follow the instructions under "Finalizing the Installation" on page 31.

Fireplace Requirements

- Insert must be placed within a code-conforming masonry fireplace or tested and listed factory-built (metal) wood-burning fireplace. Repair any fireplace damage prior to installation.
- Because the insert may use an optional circulation blower, clean the fireplace, smoke shelf, and chimney prior to installation.
- This heater may be placed in a bedroom. Please be aware of the large amount of heat this appliance produces when determining a location.



Fireplace Sizing	1-Piece Panel	1-Piece Panel with Trim
(a) Minimum Height	19-3/4" (502mm)	19-3/4" (502mm)
(b) Minimum Width	27" (686mm)	27" (686mm)
(c) Minimum Depth	15" (381mm)	13-3/4" (349mm)
(d) Hearth Extension	0" (0mm)	1-1/4" (32mm)

- (e) The gas line should be installed prior to installing the heater.
- (f) For tight fits (under 28") see the section "Removing the Vent Connector"
- (g) See "Leveling Legs" for details on leveling the heater.
- (h) Fireplace Converted Tag (see details below)

Fireplace Converted Tag

The fireplace must be permanently marked to indicate that it has been altered and is no longer suitable for burning solid fuel (wood) unless the removed parts are replaced and the fireplace fully inspected and approved. Attach the "This fireplace has been converted..." tag to the fireplace (use two screws or other suitable method). You may wish to place it in a location where it will be covered by the surround panels or face.

WARNING: This fireplace has been converted for use with a fireplace insert and cannot be used for burning wood or solid fuels unless all original parts have been replaced and the fireplace re-approved by the authority having jurisdiction. 0530

Factory-Built (Metal) Wood-Burning Fireplace Requirements

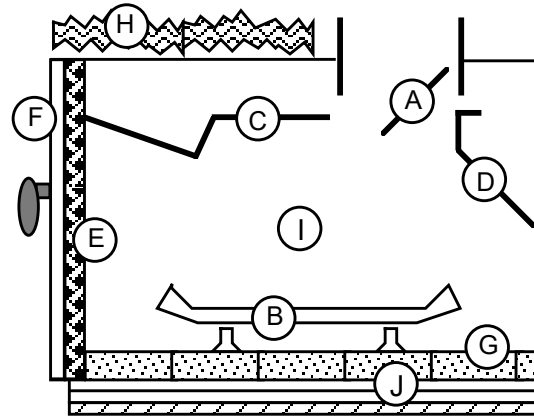
The damper ("A") and grate (with log set) ("B") must be removed (see the illustration below).

The smoke shelf ("C"), internal baffles ("D"), screen ("E"), masonry lining or refractory ("G" & "I"), and metal or glass doors ("F") may be removed (if applicable).

The insulation ("H"), and any structured rigid frame members must not be removed or altered (side and top of door frame, side, and top of the face of the fireplace, metal sides, etc.).

The metal floor ("J") of the firebox may be removed in certain cases*.

The fireplace must be permanently marked to indicate that it has been altered and is no longer suitable for burning solid fuel (wood) unless the removed parts are re-installed. Cutting of any sheet metal parts is prohibited. Surround panels should not seal ventilation openings on the fireplace.



***CAUTION:** Firebox floor removal is not covered under the appliance safety standard (ANSI Z21.88 CSA 2.33) used in the safety certification of this appliance, however, this method has been tested by Travis Industries and it has been determined to be safe following the instructions below. Before installing the appliance using this method, contact the Authority Having Jurisdiction to determine if this installation is acceptable in your area. The sheet metal base (or metal wrap) of the fireplace must be left in place.

If the factory-built fireplace has no gas access hole(s) provided, an access hole of 1-1/2" (38mm) or less may be drilled through the lower sides or bottom of the firebox in a proper workmanship like manner. This access hole must be plugged with non-combustible insulation after the gas supply line has been installed.

Hearth Requirements

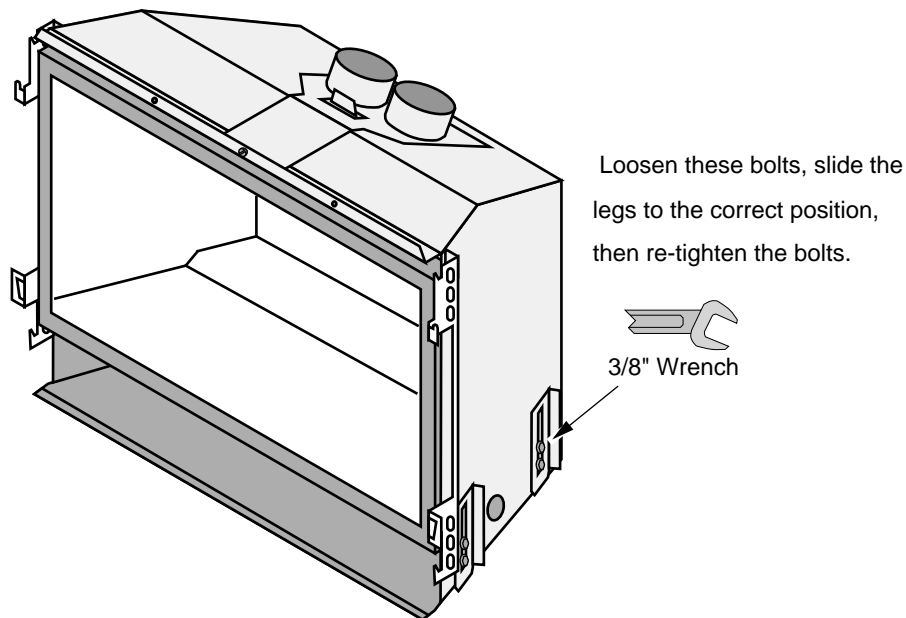
The heater and face must not contact combustible surfaces. A non-combustible hearth extension is not required. However, if the heater is installed next to the floor, we recommend a hearth to protect the flooring surface from discoloration or other negative impact from the heater.

10

Installation (for qualified installers only)

Leveling Legs

This heater includes front and rear leveling legs to accommodate fireplaces with a step-down firebox.

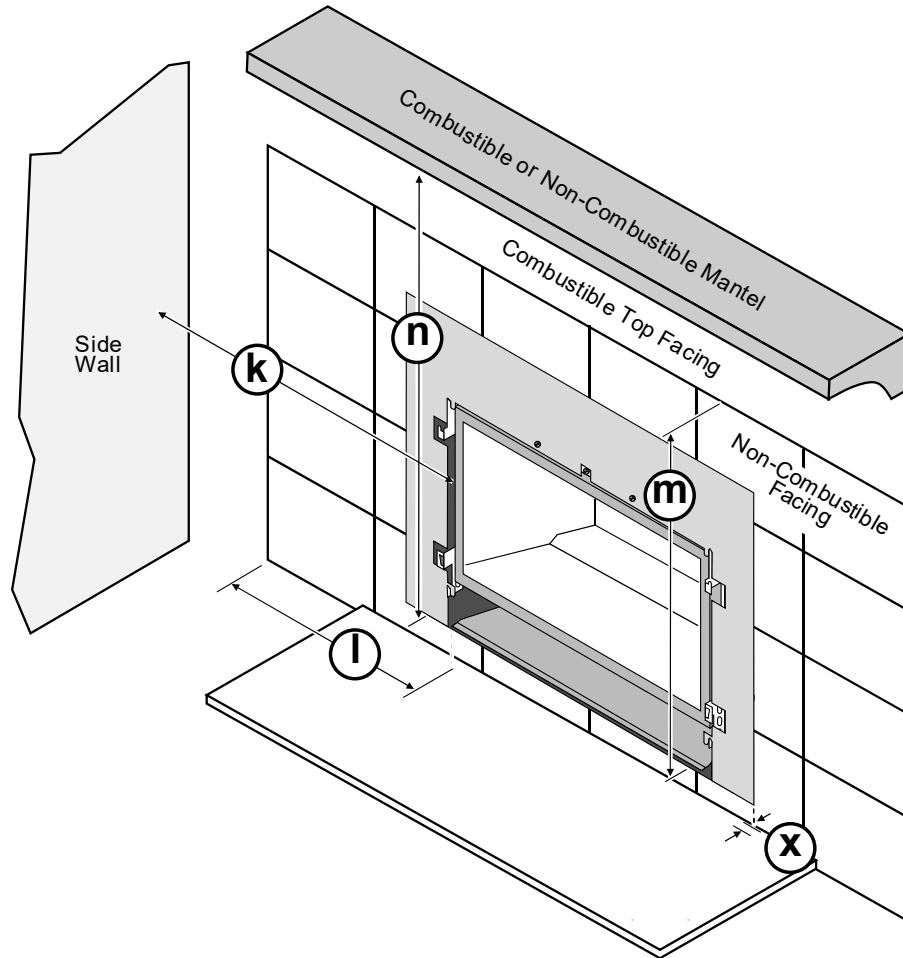


Electrical Requirements for Optional Blower

- Route the power cord out in front of the appliance.
- Plug the power cord into a grounded 120 Volt outlet (do not remove the grounding pin).
- The electrical connection may also be made using the optional Wiring Kit (SKU 97200315).
- The appliance, when installed, must be electrically grounded in accordance with local codes or, in the absence of local codes, with the *National Electrical Code, ANSI/NFPA 70*, or the *Canadian Electrical Code, CSA C22.1*.

Clearances

Due to the high temperature of the heater, it should be located out of traffic and away from furniture and draperies.



	Minimum Clearances
k Sidewall to Insert	5" (127mm)
l Side Facing (non-combustible)	5" (127mm)
m Top Facing (non-combustible)	33" (839mm)
n Mantel* (combustible or non-combustible)	34" (864mm) – for Max. 12" Mantel 33" (839mm) – for Max. 4" Mantel
x Hearth Extension	
1-Piece Panel	0" (0mm)
1-Piece Panel with Trim	1-1/4" (32mm)

* The combustible area above the non-combustible facing must not protrude more than 3/4" (20mm) from the facing. If it does, it is considered a mantel and must meet the mantel requirements listed in this manual.

Mantel Requirements

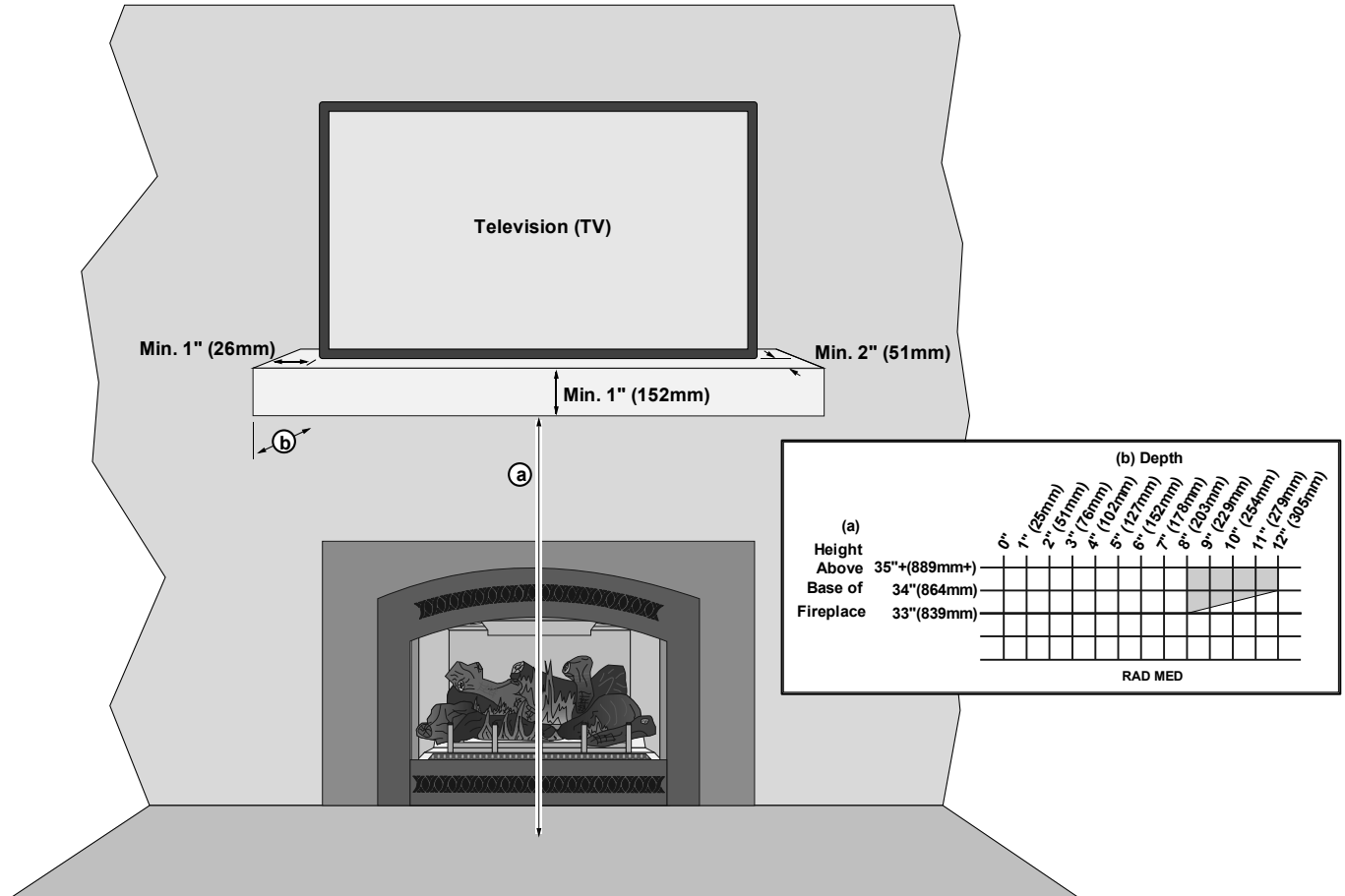
The maximum mantel depth is 12" (305mm).

Televisions Placed Above the Insert

The following section gives guidelines to place a television above the insert.

IMPORTANT NOTE REGARDING TELEVISIONS AND THIS INSERT

Most television manufacturers instruct the homeowner not to place the television above a heat source like this insert. Doing so may decrease the longevity of the television and negate the warranty. If you do place a television above the insert, you should place a mantel between the insert and television. Follow the guidelines below to reduce the amount of heat reaching the television. Travis Industries does not take responsibility for any negative impact on televisions placed near this insert.



Minimum Dimensions:

(a) Minimum Mantel Height above Base of Insert*	33" (839mm) with 8" (204mm) mantel depth
(b) Minimum Mantel Depth*	8" (204mm)*

*** Minimum mantel depth must be 8" (204mm) to allow heat to dissipate. If using a mantel larger than 8" (204mm), make sure to adjust the mantel height (a) to meet the mantel clearance (see mantel requirements on page 11 for details).**

- The mantel must extend 2" in front of the television and 1" to both sides.
- If you have a television that is greater than 6" deep (including the 1" gap behind), you will need to alter the mantel depth and height (see the example below).
- The television must have a 1" gap to the wall to allow for proper cooling.

WIRING NOTE: If running wiring into the enclosure, use thermal insulating wrap around the wiring. Secure the wiring to protect from contact with hot surfaces.

Gas Line Requirements

MASSACHUSETTS INSTALLATIONS - **WARNING:**

THIS PRODUCT MUST BE INSTALLED BY A LICENSED PLUMBER OR GAS FITTER WHEN INSTALLED WITHIN THE COMMONWEALTH OF MASSACHUSETTS.

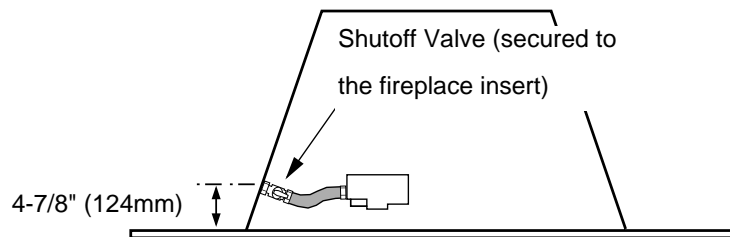
OTHER MASSACHUSETTS CODE REQUIREMENTS:

- Flexible connector must not be longer than 36 inches.
- Shutoff valve must be a "T" handle gas cock.
- Only direct vent sealed combustion products are approved for bedrooms or bathrooms.
- Fireplace dampers must be removed or welded in the open position prior to the installation of a fireplace insert or media.
- A carbon monoxide (CO) detector is required in the same room as the appliance.

- The gas line must be installed in accordance with all local codes and the requirements listed below. In the absence of local codes, follow ANSI 223.1 in US/Canada or AS/NZS 5601.1 in Australia.
- A manual shutoff valve is required within 3' of the heater. It should be placed upstream of the flex line (if used) and may be installed behind the access door inside the heater.).
- The heater and gas control valve must be disconnected from the gas supply piping during any pressure testing of that system at test pressures in excess of 1/2 psig. For pressures under 1/2 psig, isolate the gas supply piping by closing the manual shutoff valve.
- Leak test all gas line joints and the gas control valve prior to and after starting the heater.
- This heater is designed either for natural gas or for propane (but not for both). Check the sticker on the top of the gas control valve to make sure the correct fuel is used (see illustration on page 4).
- Installation must be performed by a qualified installer, service agency, or the gas supplier (In Massachusetts a licensed plumber/gasfitter).

Gas Line Location

- The gas inlet accepts a 1/2" MPT.



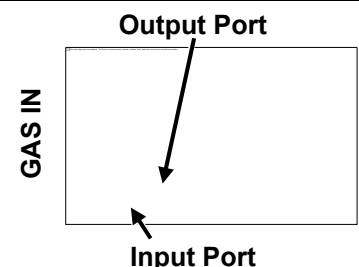
Gas Pressure	Max. Input Pressure	Min. Input Pressure	Max. Manifold Pressure	Min. Manifold Pressure
Natural Gas	7" W.C. (1.74 kPA)	5.5" W.C. (1.37 kPA)	3.8" W.C. (0.95 kPA)	1.1" W.C. (0.27 kPA)
Propane	13" W.C. (3.23 kPA)	11" W.C. (2.74 kPA)	11" W.C. (2.74 kPA)	2.9" W.C. (0.72 kPA)

- If the pressure is not sufficient, make sure the piping used is large enough, the supply regulator is adequately adjusted, and the total gas load for the residence does not exceed the amount supplied.
- The supply regulator (the regulator that attaches directly to the residence inlet or to the propane tank) should supply gas at the suggested input pressure listed above. Contact the local gas supplier if the regulator is at an improper pressure.

Directions for Connecting a Gas Pressure Test Gauge

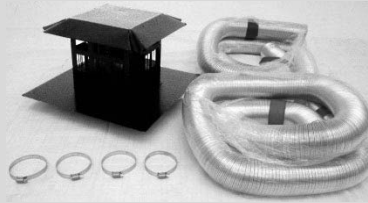
The gas control valve (shown to the right) has two test ports for testing input (line pressure) and output (manifold) pressure. Loosen the brass screw on either test port and place a 5/16" i.d. rubber or plastic tube over the tapered test port. Connect the tube to the test gauge.

WARNING: The brass screw must be tightened after testing to prevent gas leakage.

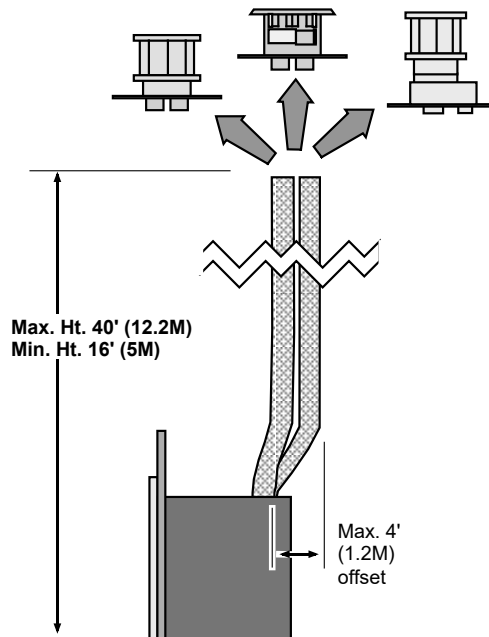


Vent Requirements

Travis Industries manufactures a vent kit specifically for this insert (sku 96200330). It includes 30' (10M) of vent, hose clamps, and a prairie cap. The flashing on the cap is 18" (458mm) by 18" (458mm).



- The gas appliance and vent system must be vented directly to the outside of the building, and never be attached to a chimney serving a separate solid fuel or gas-burning appliance. Each direct vent gas appliance must use its own separate vent system.
- Make sure the exhaust pipe on the heater connects to the exhaust portion of the cap. The illustrations below show how the flex liners should be attached.
- The exhaust vent must reline the entire length of the chimney and terminate above the chimney top.
- Be careful not to crimp or rupture the liner when bending it into chimney offsets.
- When installed, the vent must meet all of the vent manufacturer's requirements.
- Use the following vent:
 - 3" UL 441 or 1777 Gas Liner for Exhaust and Air Inlet
 - Duravent Chimney Liner Termination (use one of the three listed below):
 - Prairie Cap with Flashing (included in kit shown above)
 - High-Wind Vertical Cap with 3" & 3" Co-Linear Connection
 - 3" & 3" Co-Linear to 6-5/8" Co-Axial Adapter, Flashing, & High-Wind Vertical Cap



Drafting Performance

This direct vent appliance requires natural draft to operate (similar to a wood stove or other heating appliance). Draft can be adjusted using the included restrictor. The restrictor settings detailed in the manual should be followed (variations may occur depending upon installation parameters).

Many factors may negatively influence the draft of the appliance. Travis Industries will not be responsible for improper draft due to factors such as trees, hills, buildings, obstructions, excessive wind, extreme hot or cold outdoor temperatures, restrictive vent terminations, or influence from mechanical systems.

Vent Restrictor

WARNING: Restrictor adjustment should only be done by a qualified installer.

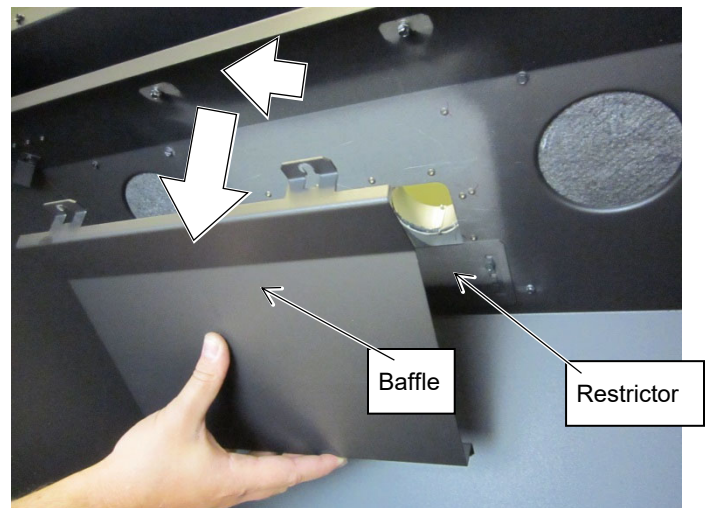
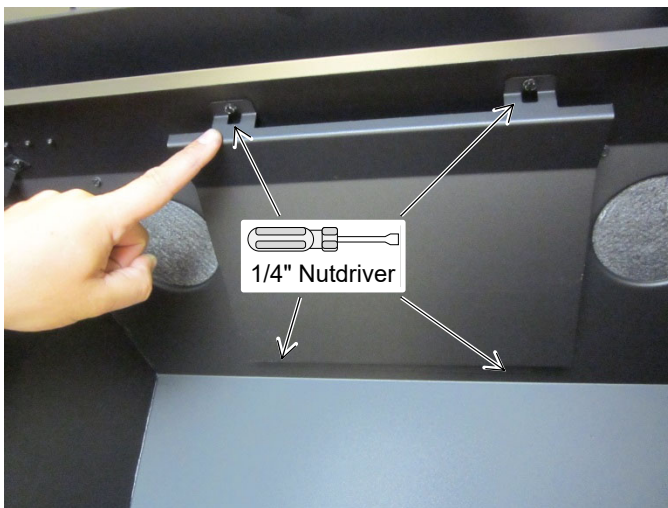
Most installations do not require vent restrictor adjustment. Only those installations determined to be over-drafting require adjustment. The best indication of over-drafting is a hyper-active flame pattern (flames move too quickly). This is most common in tall vent configurations. Over-drafting may affect the pilot, but this is not the best way to determine over-drafting.

More importantly, **do not over-restrict the insert.** This leads to ghosting or lifting flames, a very unstable condition for both the burner and pilot. Reduce the restrictor setting if this occurs.

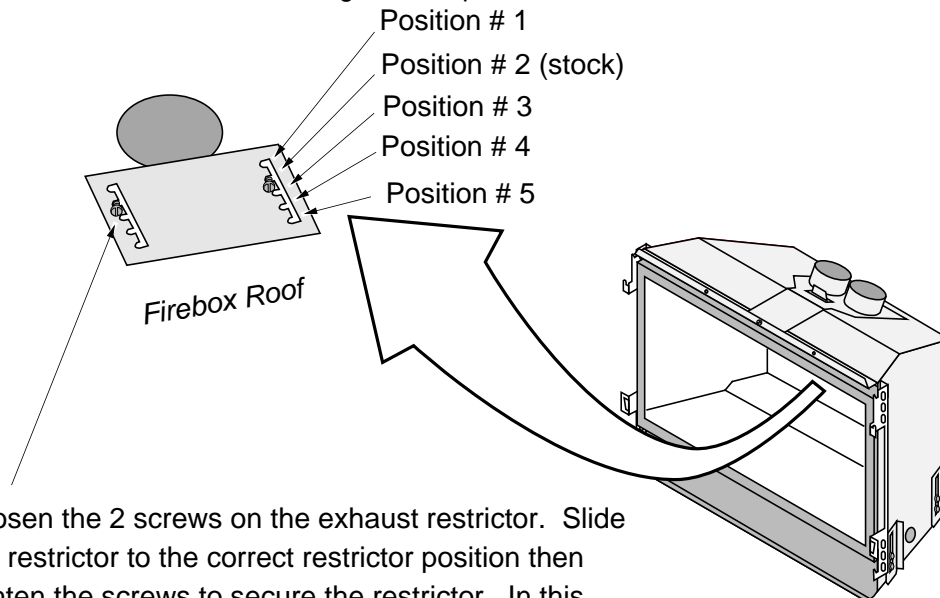
If restrictor adjustment is required, make sure to make the adjustment one step at a time. Wait a minimum of 5 minutes after the burner ignition to monitor flame quality.

Restrictor Adjustment

To access the restrictor, remove the baffle at the top of the firebox. Loosen the 4 screws holding it in place, then slide it forward and down to remove it.



The restrictor is adjusted by loosening the two screws holding it in place. Slide the restrictor until the correct notch falls over the screws and re-tighten. Replace the baffle.



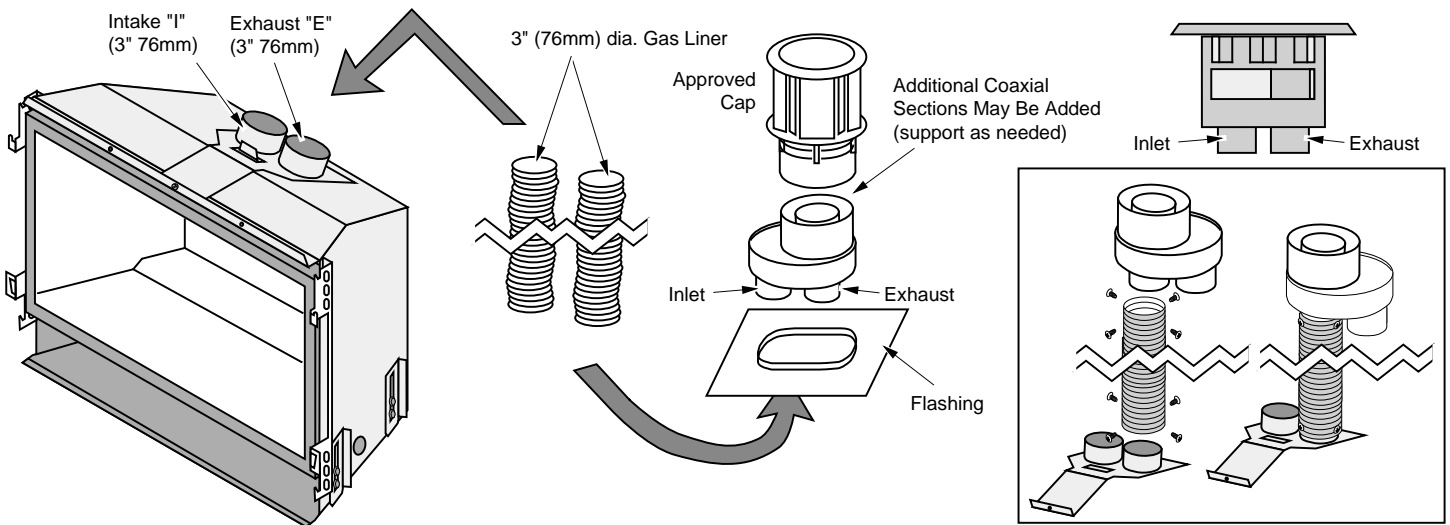
Loosen the 2 screws on the exhaust restrictor. Slide the restrictor to the correct restrictor position then tighten the screws to secure the restrictor. In this illustration, the restrictor in position 2.

16

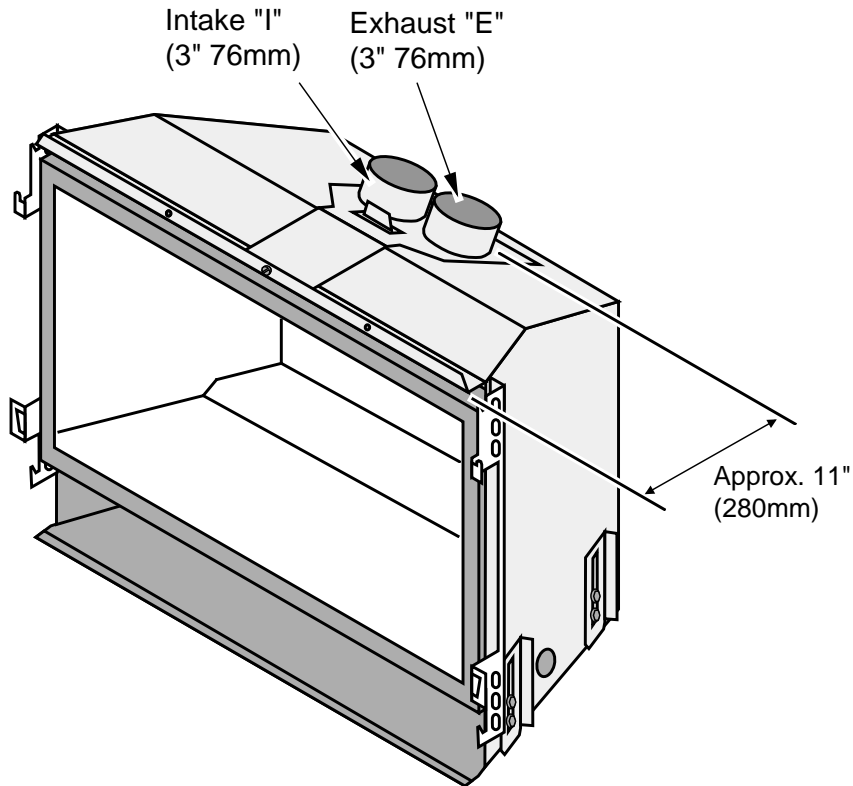
Installation (for qualified installers only)

Vent Installation

Secure the vent to the fireplace insert and termination kit using screws.



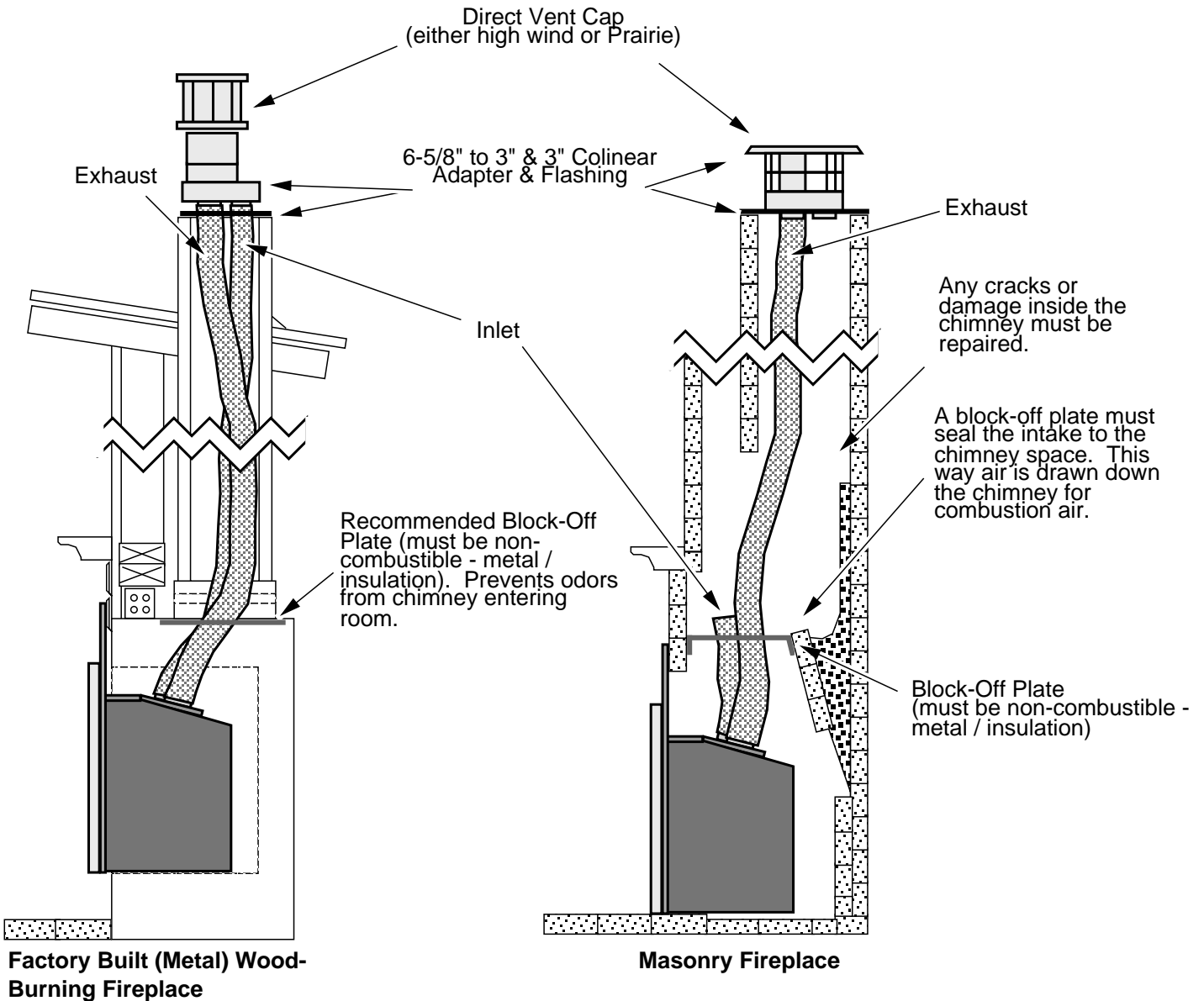
Vent Location



Vent Configurations

Inlet & Exhaust Re-Line

Exhaust Only Re-Line

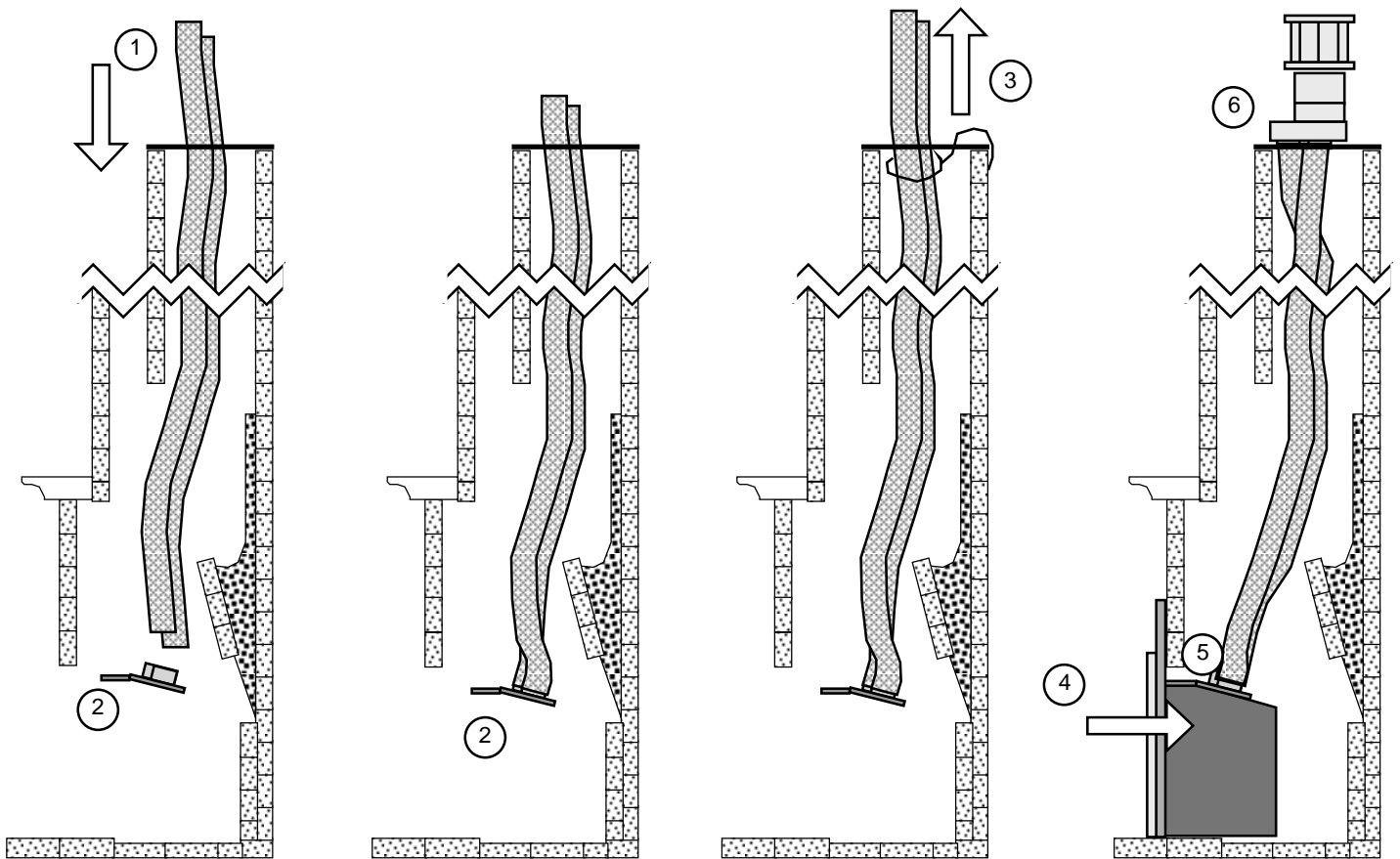


NOTE: You may use either re-line configuration with a masonry or zero-clearance fireplace.

CAUTION: The "Exhaust Only Re-line" is not covered under the appliance safety standard (ANSI Z21.88 CSA 2.33) used in the safety certification of this appliance. The safety certification does not apply to this installation. Before installing the appliance using this method, contact the Authority Having Jurisdiction to determine if this installation is acceptable in your area. This type of installation requires a minimum chimney cross section of 48 square inches.

Vent Connector Removal and Installation

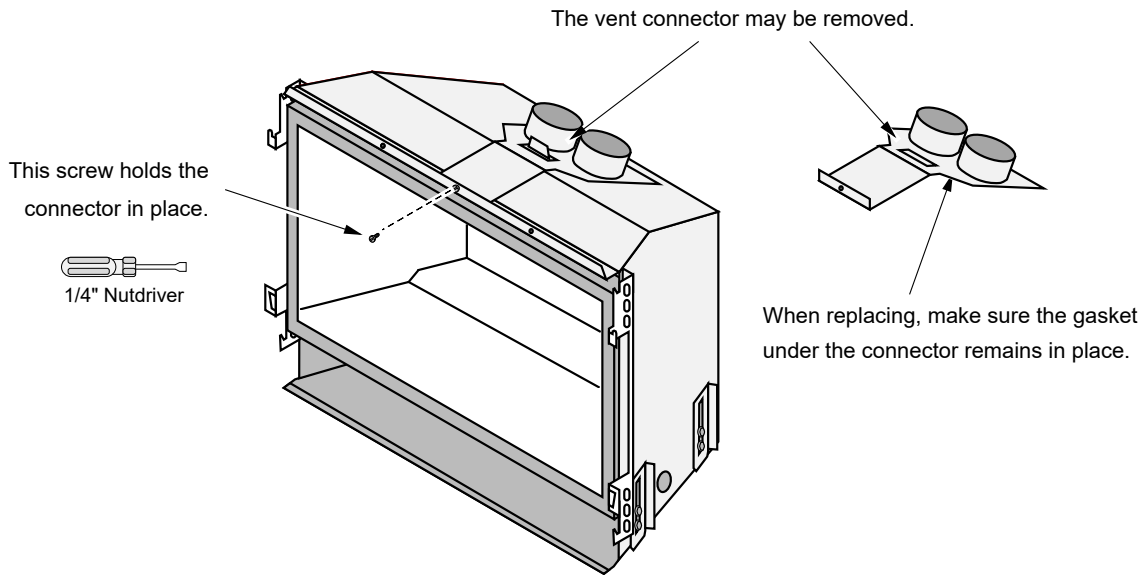
- The vent connector is shipped attached to the insert but may be removed to facilitate tight installations. See the directions below for installation.
1. Route the flex vent through the chimney from above (leave an extra 3' at the top). Make sure the flex is thoroughly stretched.
 2. Remove the vent connector and attach it to the flex vent (see the instructions on the following page).
NOTE: be careful of the anti-seize on the connector – it will stain clothing, etc.
 3. Pull on the flex vent until the vent connector is at the same height as the insert. Temporarily attach the flex vent to the top of the chimney (leave extra slack).
 4. Slide the insert into place, guiding the vent connector into the guides on top of the insert.
 5. Attach the vent connector to the appliance (see the following page for details).
 6. Remove any excess slack in the flex line and attach the vent termination.



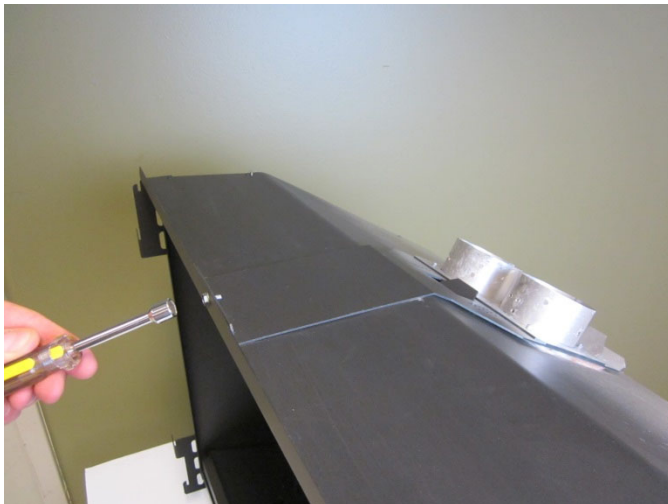
Altitude Considerations

- This heater has been tested at altitudes ranging from sea level to 4,500 feet (1,372 M). In this testing we have found that the heater, with its standard orifice, burns correctly with just an air shutter adjustment.
- Failure to adjust the air shutter properly may lead to improper combustion which can create a safety hazard. Consult your dealer or installer if you suspect an improperly adjusted air shutter.

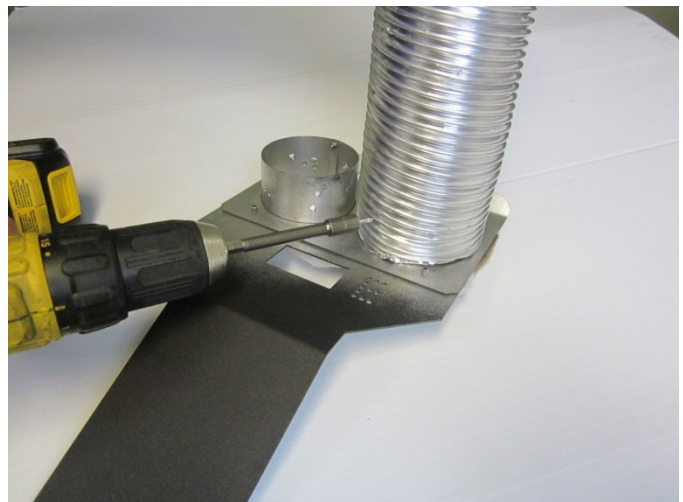
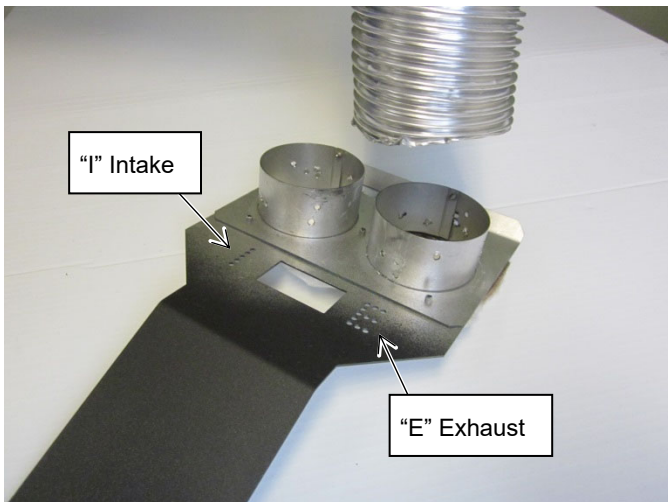
Vent Connector Removal and Installation (continued)



The vent connector slides back and disengages from the three tabs on top of the insert.



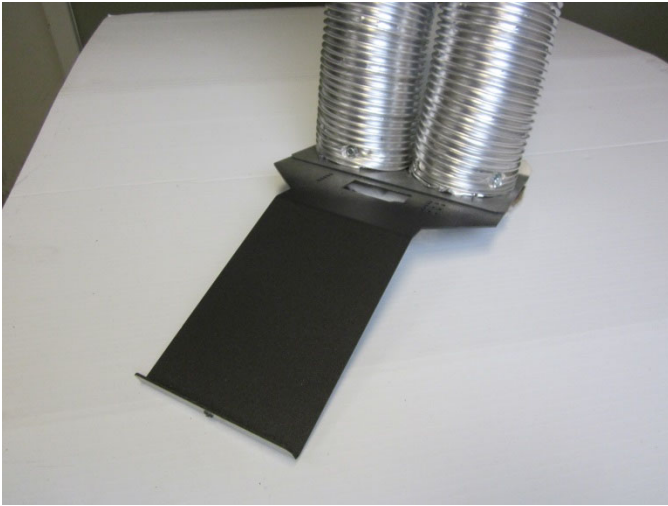
Connect the flex vent (exhaust and intake) to the vent connector (use self-drilling screws or hose clamps).



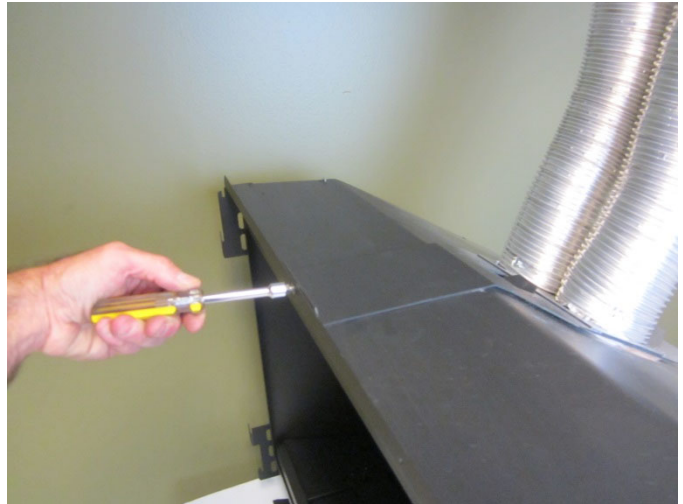
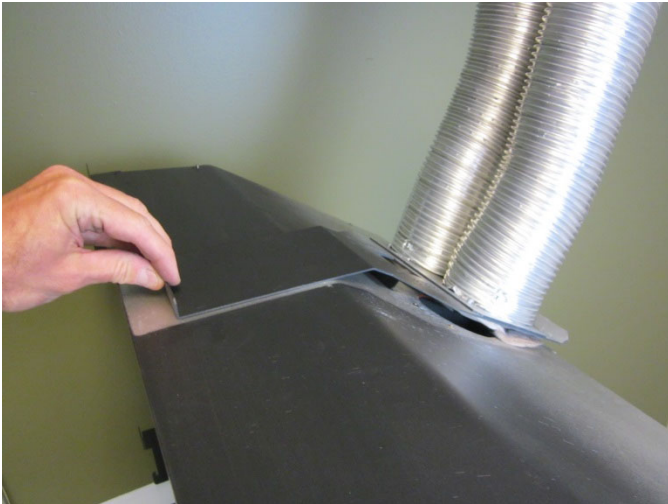
20

Installation (for qualified installers only)

The vent connector, when hanging from the chimney, may be grasped by reaching above the insert. Carefully move the connector forward, making sure all 3 tabs insert through the connector.



Secure the vent connector to the insert using the screw removed earlier.



Horizontal Termination

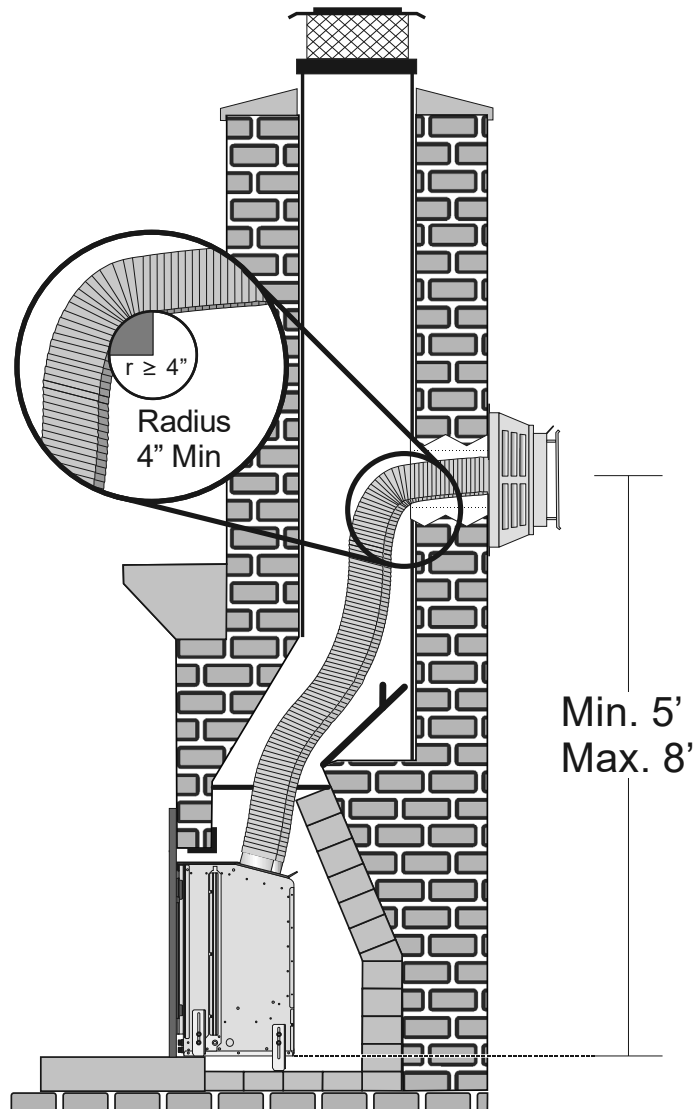
DuraVent manufactures a vent kit for horizontal that allows for terminating horizontally when installed in a masonry fireplace (not for use with ZC fireplaces). The DuraVent kit (46DVA-HCL33 and 46DVA HCL34) is approved for use with Travis Industries gas inserts.

These kits can be purchased from your Travis Industries dealer.

Application	DuraVent Part #
For inserts that use 3" exhaust and 3" intake	46DVA-HCL33
For inserts that use 4" exhaust and 3" intake	46DVA-HCL34

Refer to the kit manufacturer's instructions for details and requirements for installation. In addition to the manufacturer's requirements, the following requirements must be met:

- The termination center **MUST** be a minimum of 5' from the base of the insert.
- The termination center **MUST NOT** be more than 8' from the base of the insert.
- The radius of any bends in the flexible venting **MUST NOT** be less than a 4" radius
- All portions of the venting **MUST** have at least a 1/4" rise per 12" of horizontal run

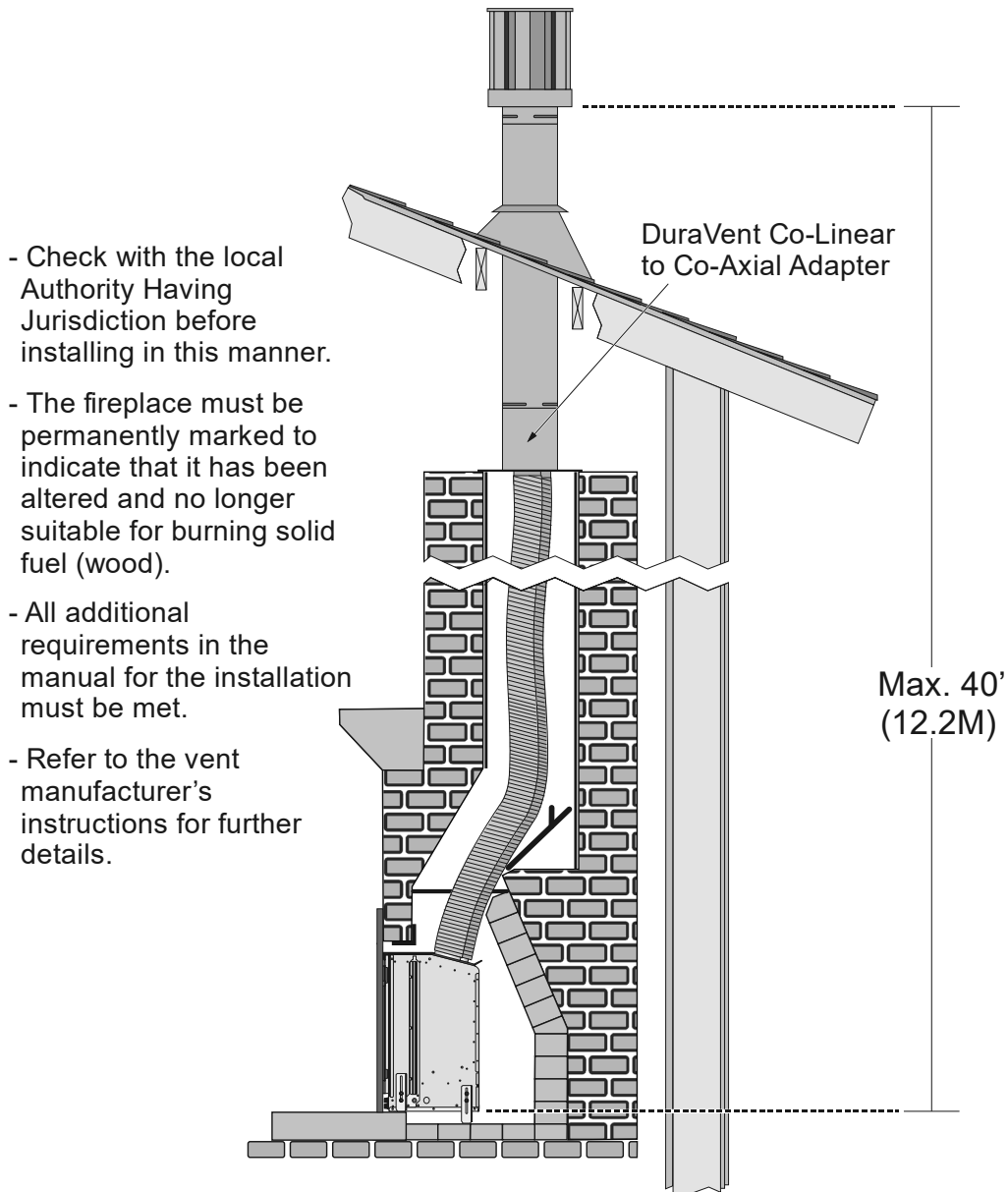


Co-Linear to Co-Axial Pipe

DuraVent manufactures a vent kit that adapts flexible co-linear venting to co-axial pipe. This can be helpful for situations such as when a damaged masonry chimney top is removed to below the roofline or when an additional story is added to a home and the added height covers the existing masonry chimney height. The DuraVent kits (46DVA-CLTA and 46DVA-34CLTA) are approved for use with Travis Industries gas inserts.

These kits can be purchased from your DuraVent dealer.

Application	DuraVent Part #	DuraVent Stock #
For inserts that use 3" exhaust and 3" intake	46DVA-CLTA	810014742
For inserts that use 4" exhaust and 3" intake	46DVA-34CLTA	810014340

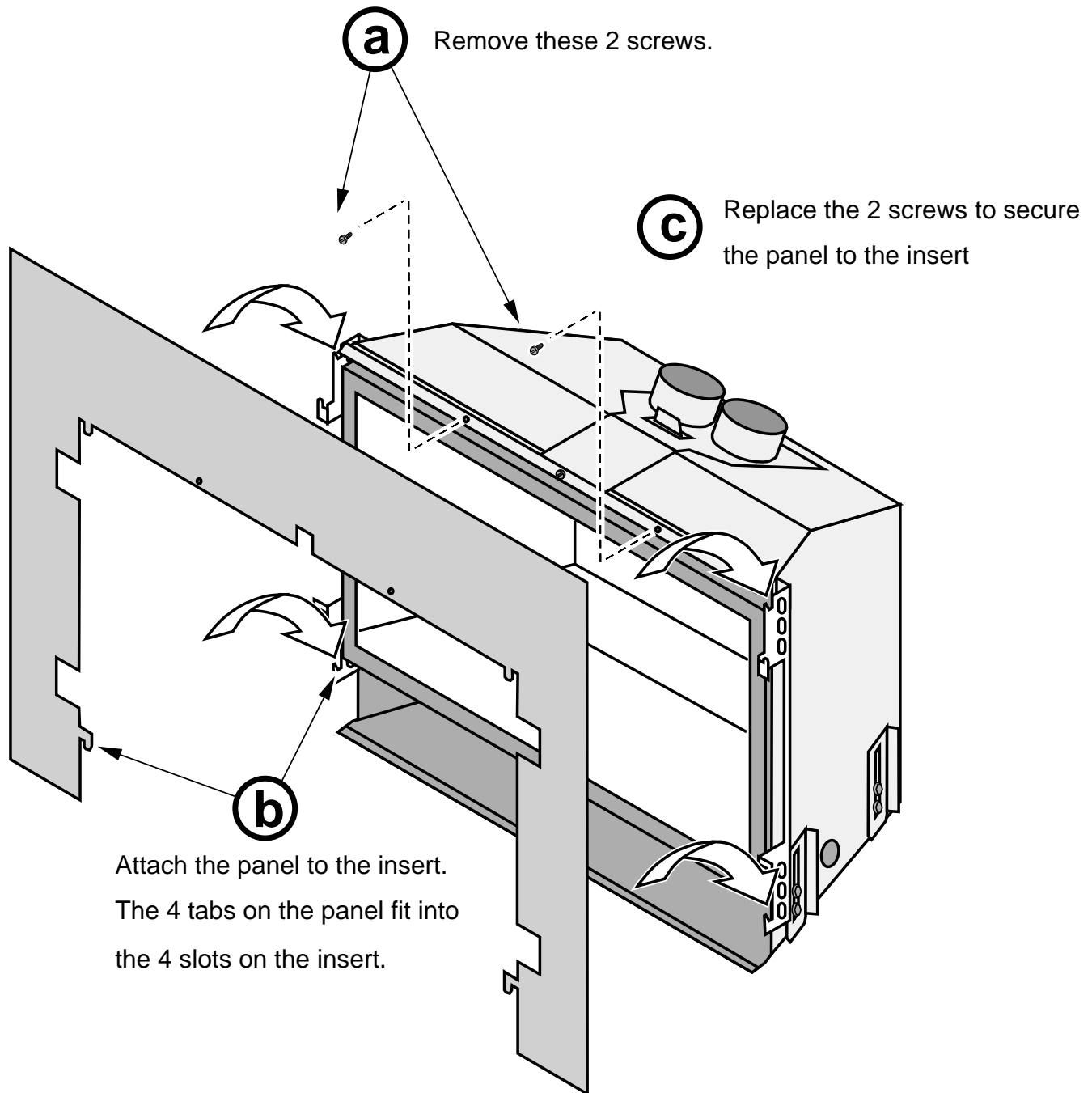


Surround Panel Installation

NOTE: The insert may be installed without surround panels.

PANEL SIZE	HEIGHT	WIDTH	PART #
Small	25"	38"	96100552
Large	28-1/2"	40"	96100553

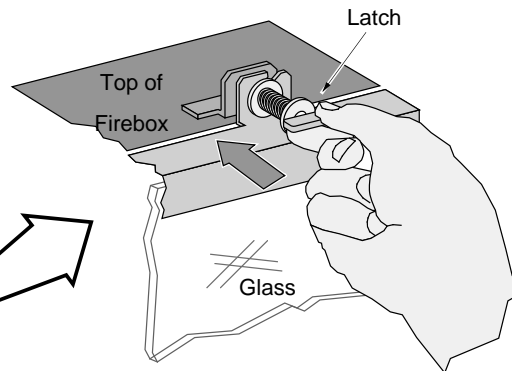
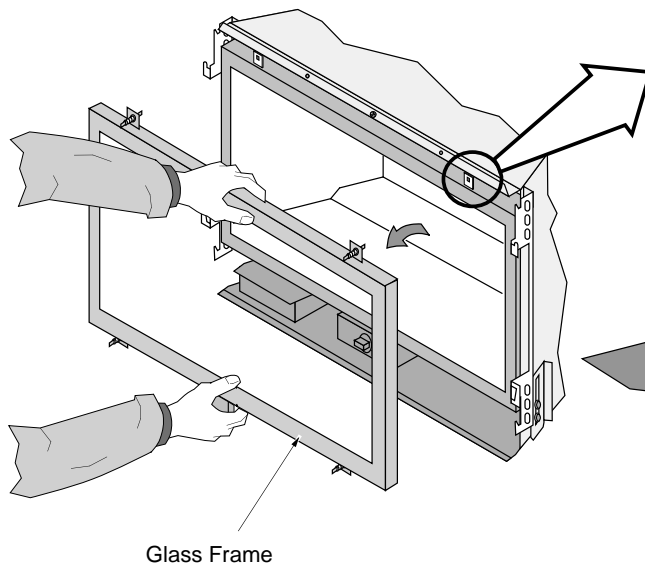
1. The insert should be in position with gas line and flue and intake connections attached, but pulled out slightly to allow panel installation.
2. Attach the surround panel to the insert as shown below.



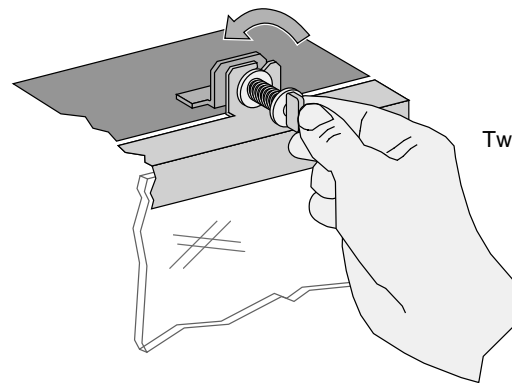
Glass Frame Removal and Installation

The appliance must be completely cool before removing the glass.
Do not strike or slam the glass.

- a** Open the four latches holding the glass frame in place (start with the two below the glass) - follow the directions shown to the right.

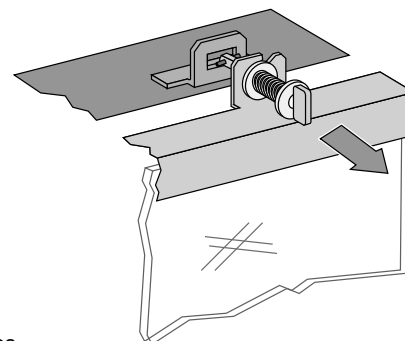


Push in on the latch.



Twist 1/4 turn.

- b** Lift the glass frame up and pull it forward to remove. **NOTE:** You may need to lift the glass frame while re-attaching.



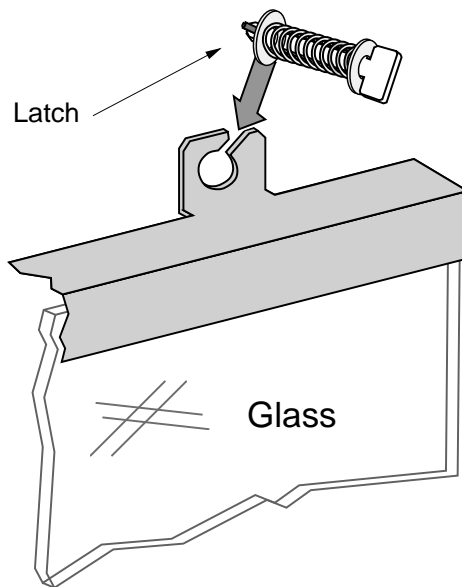
The latch will then disengage from the latch bracket.

Re-Attaching the Glass Frame:

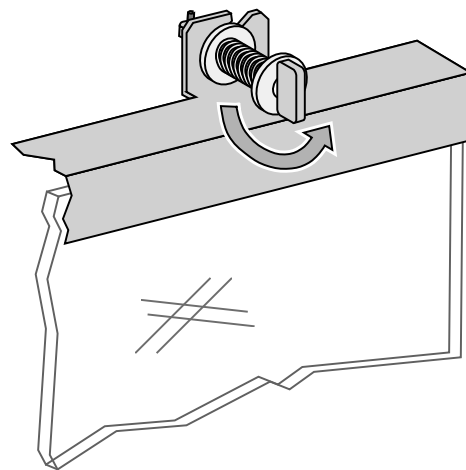
- Hang the glass frame on the firebox.
- While holding in place, attach the upper latches (follow the instructions to the right in reverse).
- Lift the glass frame slightly and attach the lower latches.

Glass Frame Removal and Installation (continued)

The glass latch can come loose from the glass frame. This occurs when the latch is turned 1/8 turn when disengaged from the unit. Follow the directions below to re-install the latch if it comes loose.



Hold the latch at an angle and insert it into the slot on the glass frame. Note how the washer fits in front of the flange on the glass frame. You will need to push slightly to get the latch to insert.



Once fully inserted, turn the latch until it is level.

Face Installation

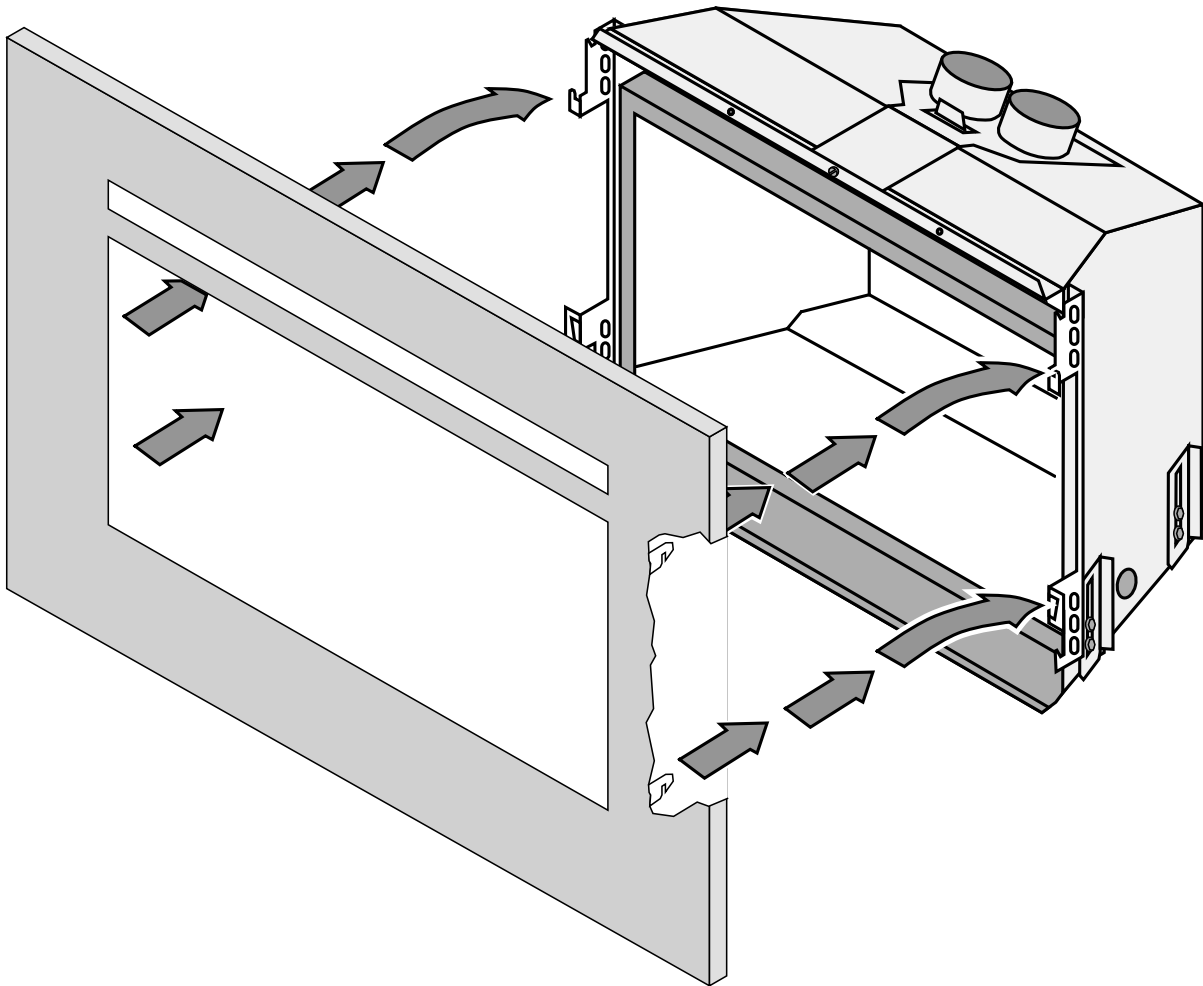
A barrier designed to reduce the risk of burns from the hot viewing glass is provided with this appliance and shall be installed for the protection of children and other at-risk individuals.



If the barrier becomes damaged, the barrier shall be replaced with the manufacturer's barrier for this appliance.

The face includes the required barrier screen. Make sure it is in place during operation.

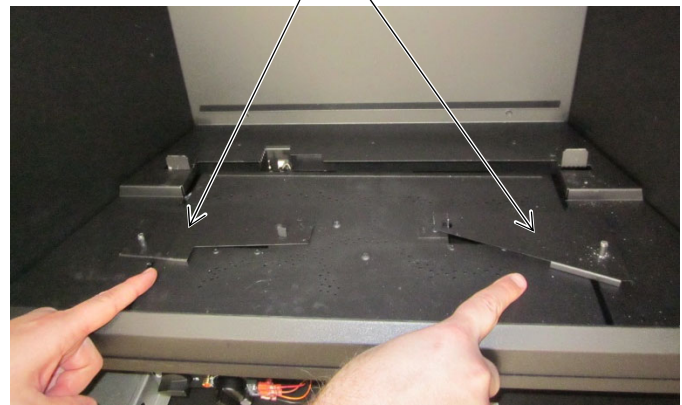
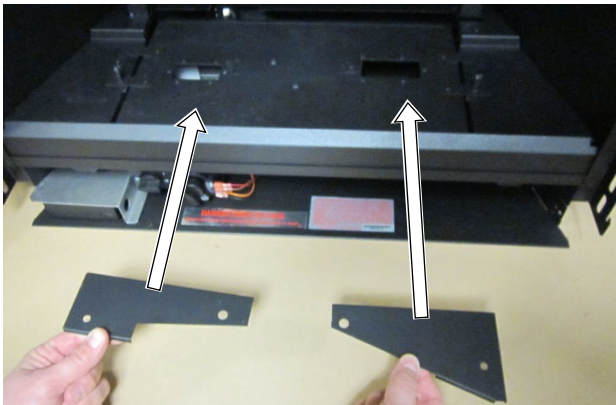
1. The insert should be in position with the gas line and flue/intake attached. If using a surround panel, it should be attached as well.
2. Attach the face to the insert as shown below.



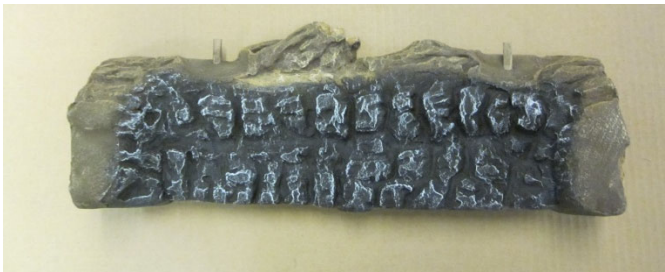
Face	Replacement Barrier Part #
Universal	250-03378
Times Square	250-03814
Designer	25004316

Log Installation

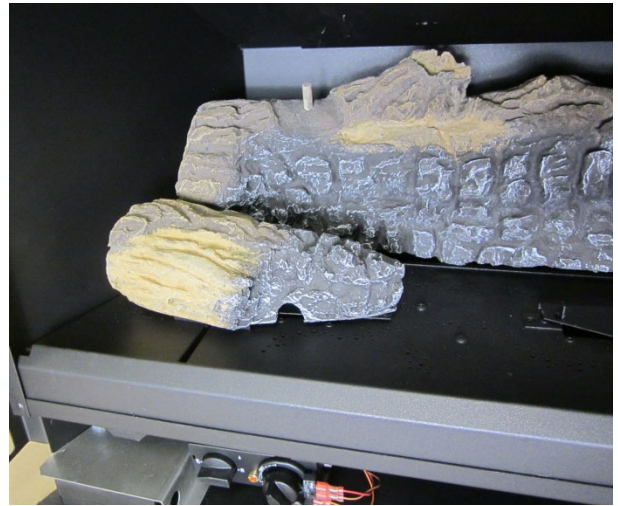
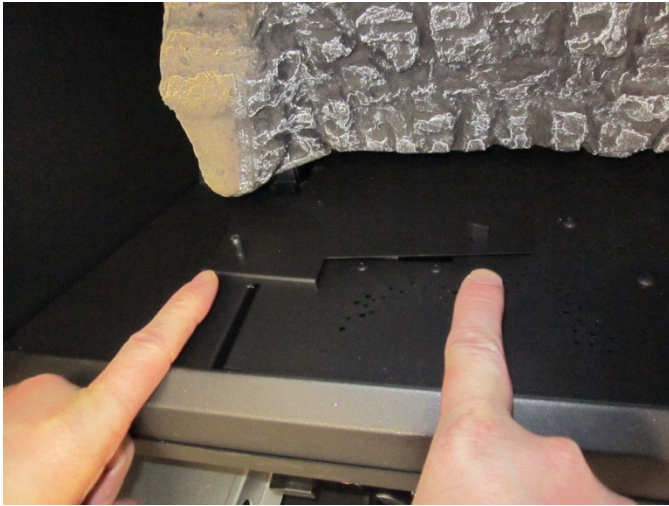
- ! **The logs are fragile, especially after being exposed to heat.**
- Make sure the gas control valve is “OFF” and the heater is cool prior to conducting service.
- Failure to position the parts in accordance with diagrams or failure to use only parts specifically approved with this appliance may result in property damage or personal injury.
- If using propane (LP), convert the appliance before installing the media (see page 45).
- The burner must be correctly positioned before installing the media. Make sure the burner is fully seated and the pilot is properly aligned. See page 45 for details on burner removal.
- Install the logs following the directions below.
- Install the optional firebacks before installing the logs.
 - 1 The log stands are shipped on top of the burner. Make sure they are in place with the mounting studs inserted through the holes on the stands.



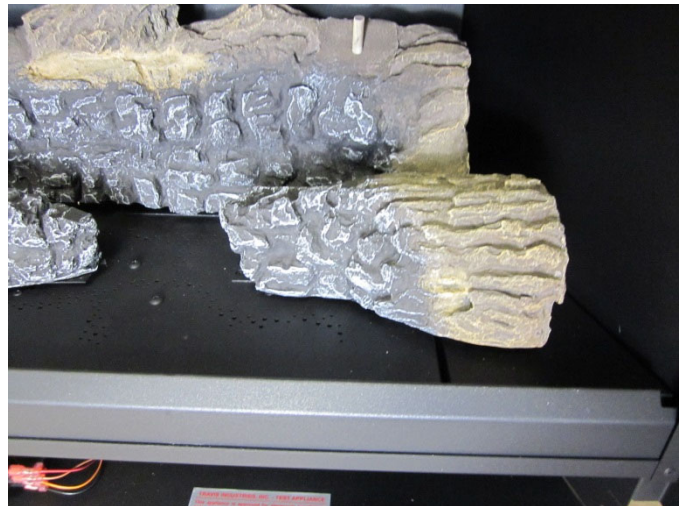
- 2 The rear log has two holes on the bottom. Place it over the two tabs at the back of the firebox.



- 3 The left log has two holes on the bottom. Place the log so the holes fit over the two mounting studs on the left log stand.



- 4 The right log has two holes on the bottom. Place the log so the holes fit over the two mounting studs on the right log stand.



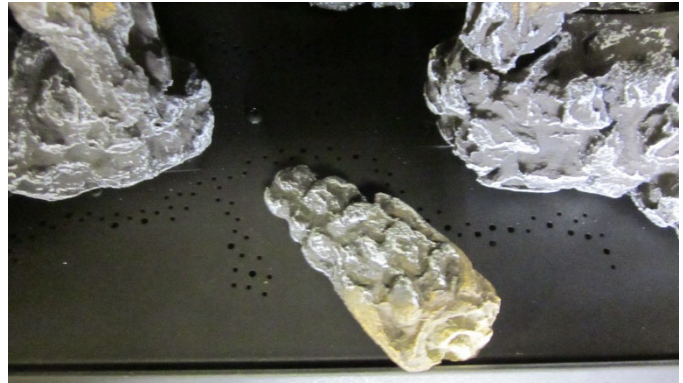
- 5 The left cross log has one hole on the bottom. Place the log so the hole fits over the left pin on the rear log. The front of the log rests on the left log (see picture for orientation).



- 6 The right cross log has one hole on the bottom. Place the log so the hole fits over the right pin on the rear log. The front of the log rests on the right log (see picture for orientation).

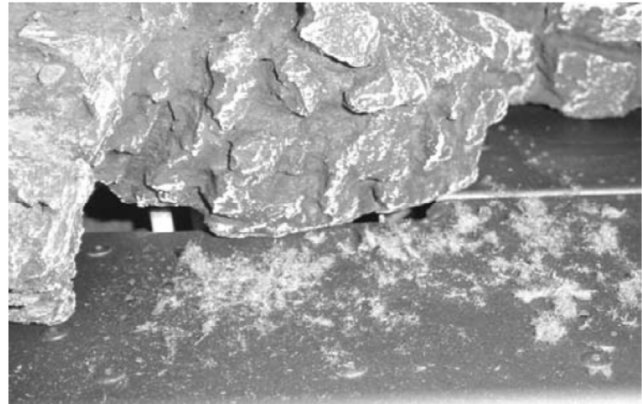


- 6 One twig is included for the front of the firebox. Place it at the front of the firebox as shown below (do not place it over any burner holes).



Rock Wool Placement

The included rock wool is placed on top of the burner to enhance the glow from the burner. **The rock wool works best when it is applied in a very thin, porous layer.** The best method for applying the rock wool is to brush it on to the burner. Compress a clump of rock wool between your thumb and forefinger. Use a stiff brush to apply a thin layer of rock wool fibers onto the burner. Do not use the entire bag of rock wool. Use only a small amount and save the remainder. Over-use of rock wool will diminish the glow and may cause sooting or other adverse conditions.



Ember Placement

Place a layer of embers along the edges of the burner, on top of rivets, and along the edges to enhance the aesthetics of the firebox. Do not place embers over any burner holes. See the photo to the right.



Steps for Finalizing the Installation

1. Remove the glass (see page 24).

NOTE: If using propane (LP) convert the appliance prior to installing the media.

2. We recommend you purge the gas line at this time (with the glass removed). This allows gas to be detected once it enters the firebox, ensuring gas does not build up.
3. Turn on gas to the heater. Leak test all gas joints prior to starting the appliance. Start the pilot to verify gas supply (see instructions on page 34). Leak test all the gas joints. Turn the gas control knob to "OFF" to shut off the appliance.
4. Install firebacks (if applicable). Install the log set (page 27).
5. Start the pilot (see instructions on page 34). Check the pilot flame following the directions below.

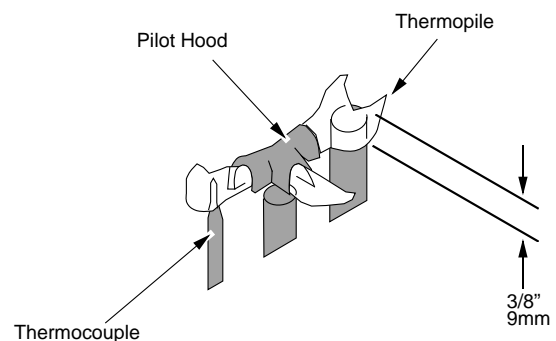
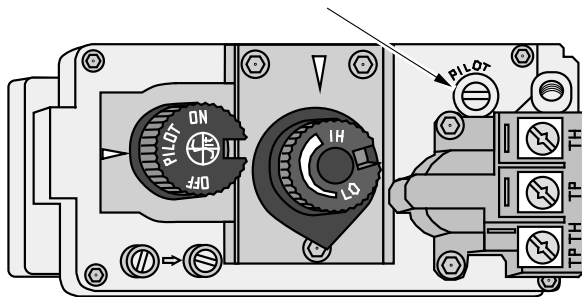
Pilot Flame Inspection

The pilot flame should look like the illustration below. Adjust the pilot flame if necessary.

To adjust the pilot flame, turn this screw (NOTE: if totally unscrewed gas will come out of this port). Clockwise lowers the flame while counter-clockwise raises it.



The pilot flame should touch only the top 3/8" (9mm) of the thermopile. Adjust the pilot up or down as necessary.

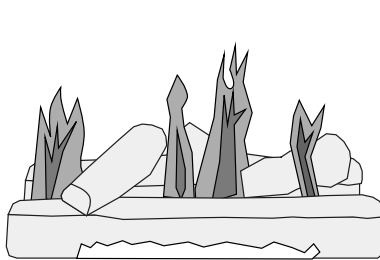


6. Replace the glass.
7. Start the main burner and verify the burner ignites correctly.
8. Leak test all gas joints.

9. Check the air shutter following the directions below.

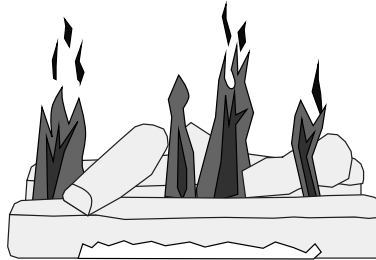
Air Shutter Adjustment

Let the heater burn for fifteen minutes (make sure the media and glass are in place). The flames should be yellow with no sooting. Adjust the air shutter, if necessary, to achieve the correct looking flame.



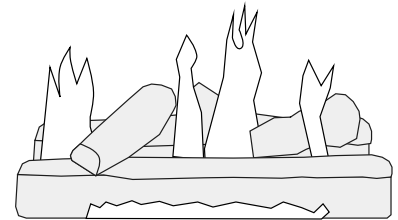
Correct

Flames should be blue at the base, yellow-orange on the top.



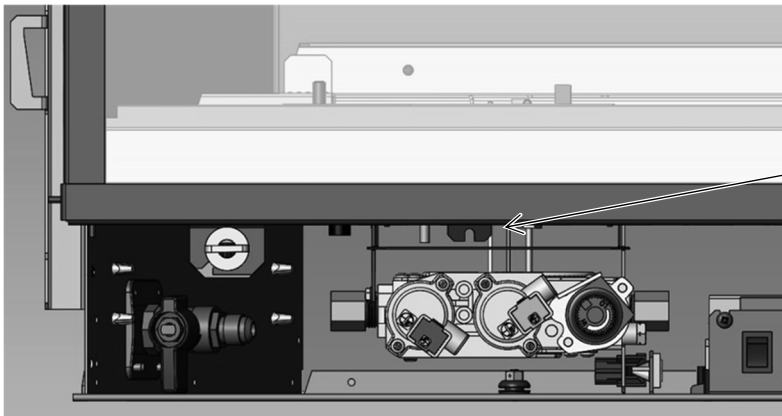
Not Enough Air

If the flames are too tall or sooty on the ends, open the air shutter.



Too Much Air

If the flames are all blue and short, close the air shutter.



Air Shutter Lever

(use screwdriver to adjust)

Left = More Air (Open)

Right = Less Air (Closed)

10. Attach the face.
11. Adjust the flame to its highest position - the flames should not contact the top of the firebox. Check the flame on low position. The flames should burn off of each burner hole. If the heater does not work correctly, contact your Travis dealer for a remedy.
12. Give this manual to the homeowner for future reference and fully explain operation of this heater.

Before You Begin

- Read this entire manual before you use your new heater (especially the section "Safety Precautions" on pages 4 & 5). Failure to follow the instructions may result in property damage, bodily injury, or even death.



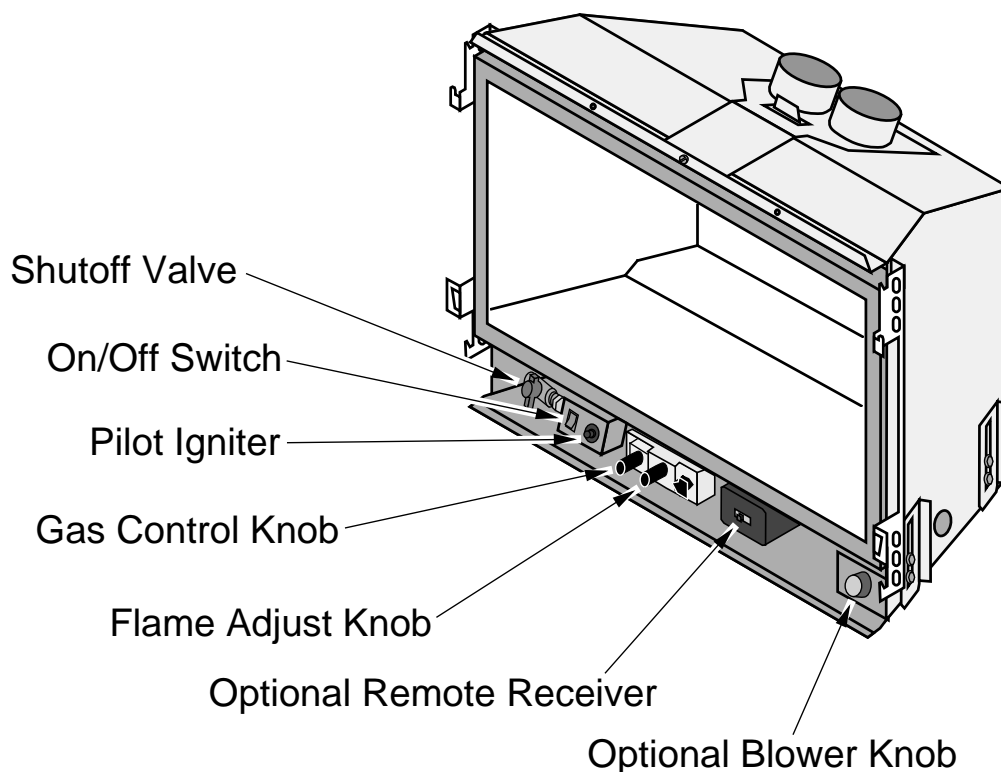
Turn off the main gas supply to the appliance during appliance installation or maintenance.



During appliance installation or maintenance or in case of remote control malfunction turn off the main gas supply.

Location of Controls

To access the gas control valve, open the control door on the face. The controls are shown below.



Shutoff Valve

This valve shuts off gas to the insert.

On/Off Switch

This control is used to turn the heater on and off.

Pilot Igniter

The pilot igniter is used only to start the pilot. When pressed, it sends an electrical charge to the pilot assembly. This creates a blue spark directly next to the pilot, igniting the pilot flame.

Gas Control Knob

This knob is used to control gas to the heater and for starting the pilot. There are three positions, ON, OFF, & PILOT. The pointer to the left of the knob indicates the position this knob is in.

Flame Adjust Knob

This knob controls the flame height from low ("LO") to high ("HI"). The pointer above the knob points to the position this knob is in.

Optional Remote Receiver

The receiver is used in conjunction with the optional remote thermostat. It is used to control the remote and replaces the on/off switch for direct operation.

Optional Blower Knob

This knob controls the speed of the internal convection blower that pushes the heated air into the room.

Starting the Pilot



Remove the glass frame before starting the pilot.

The pilot flame is required to ignite the main burners (it also plays a safety role). It should be left on once lit. It will stay lit unless the gas control valve is turned to "OFF" or if the burner has not been lit in a 7 day period (see "Pilot Fuel Conservation Timer" section on pg.35). However, the pilot will go out if the gas is shut off, the propane tank runs out (or low) or if the stove malfunctions. If the pilot turns off frequently, call your dealer for information.

NOTE: Suggestions on how to limit the need to restart the pilot during the heating season can be found on page 35

To start the pilot follow the directions below:

WARNING:

When lighting or re-lighting the pilot, the glass must be removed (see page 24).

- Remove the glass (see page 24 for details).
- Push the gas control knob in slightly and turn it to the "OFF" position. The knob will not turn from "ON" to "OFF" unless the knob is depressed slightly. Wait five minutes to let any gas that may have accumulated inside the firebox escape. If you smell leaking gas, follow the directions on the cover "IF YOU SMELL GAS".
- Turn the gas control knob to the "PILOT" position and press the knob in, this will allow gas to flow to the pilot light. Press the button on the pilot igniter repeatedly until you see the pilot light.

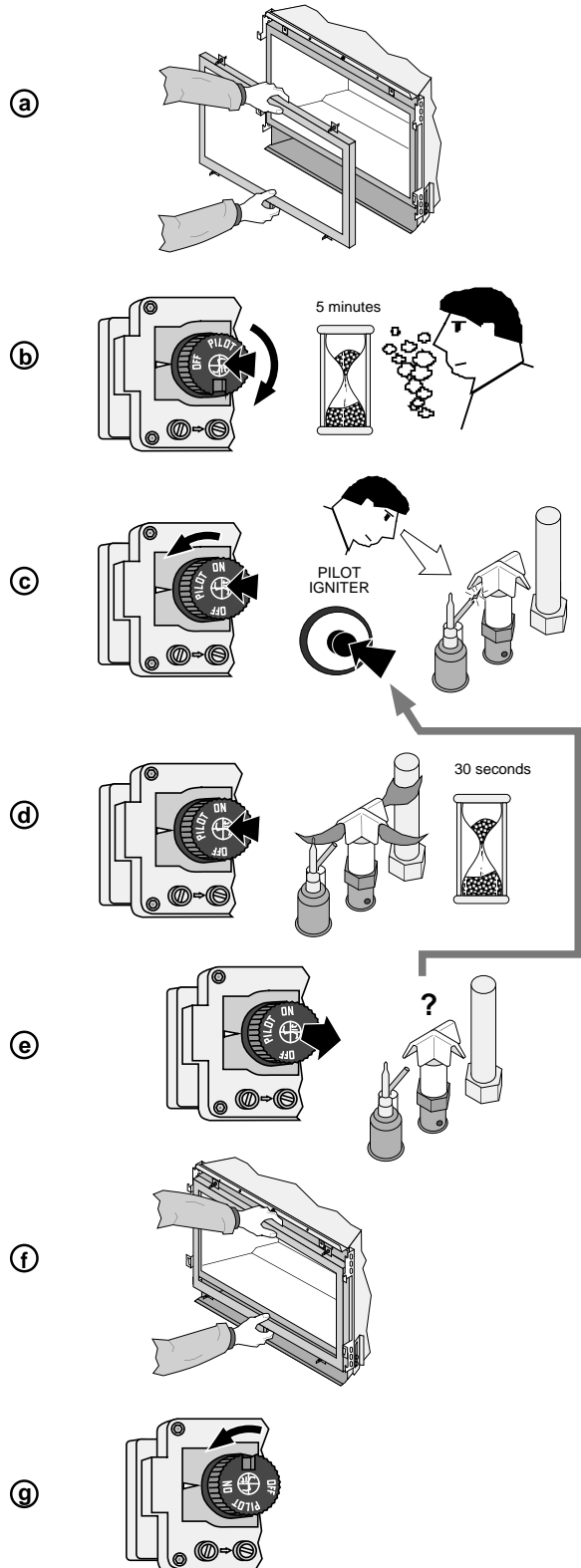
WARNING:

If the pilot does not light after 15 seconds, release the knob and call your dealer for service. Do not attempt to light pilot until service has been performed.

NOTE:

You may wish to remove the log set to gain a better view of the pilot (see page 27).

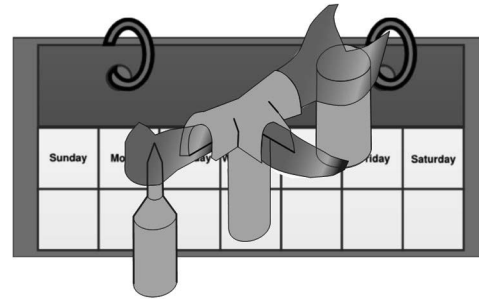
- Keep the gas control knob depressed for 30 seconds once it is lit.
- Release the gas control knob. If the pilot goes out, repeat step C. If the pilot refuses to stay lit, call your dealer for service. With the pilot lit, proceed to step "f".
- Replace the glass.
- Turn the gas control knob counter-clockwise to "ON". The pilot is now lit and the heater can be turned on and off.



Pilot Fuel Conservation Timer

7 Day Pilot Shutoff Timer (MV Units)

This appliance is equipped with a 7 day pilot shutoff timer. This timer helps conserve fuel and save money by turning the pilot off when the appliance is not used for 7 days (this timer is mandated in certain areas for conservation purposes).



The appliance will function normally as long as the burner is engaged within a 7 day window. Each time the burner is turned on the 7 day timer resets. If the burner is not engaged within the 7 day window, the pilot will automatically turn off to conserve fuel. If the pilot is turned off, it will need to be manually re-lit.

To prevent the need to restart the pilot during the heating season, we have listed a few strategies below:

Option 1: Remember to periodically turn on the heater during the heating season

If you use your heater for supplemental heat, this may be the best solution. Set a specific time, once or twice per week (e.g. 5pm on Tuesday & Friday) to turn the heater on for a few minutes. This will restart the timer and prevent the need to restart the pilot.

Option 2: Install a thermostat

This will keep the room at a constant temperature and will, in most cases, keep the heater working throughout the heating season. Light the pilot at the beginning of the heating season and set the thermostat to the desired room temperature. As long as the outside temperatures does not rise excessively, for seven days or more, the pilot will continue to operate.

Option 3: Use a programmable thermostat

A programmable thermostat may be set to turn on, once per week, to a high temperature for a short time. This will reset the 7-day timer and allow the heater to operate without having to restart the pilot.

Starting the Heater for the First Time

- Burn the heater at a high setting with the blower off for an extended period (up to 48 hours). This will cure the painted surfaces. **Fumes** from the paint curing and oil burning off the steel will occur. This is normal. We recommend opening a window to vent the room.
- **Condensation** may appear on the glass each time you start the heater - this is normal.
- **Blue Flames** will occur on the heater when it first comes on. After fifteen minutes the flames will turn a more realistic yellow and orange color.

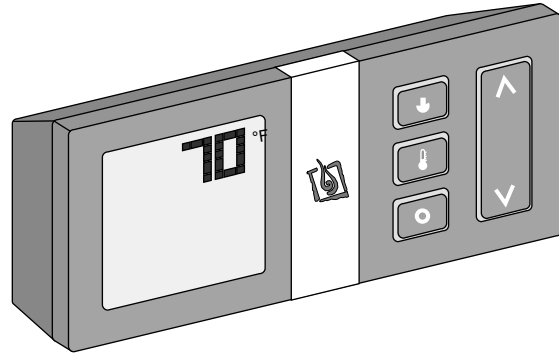
Turning the Heater On and Off

After the pilot has been started...



ON/OFF SWITCH

Use this switch to turn the main burner on and off manually.



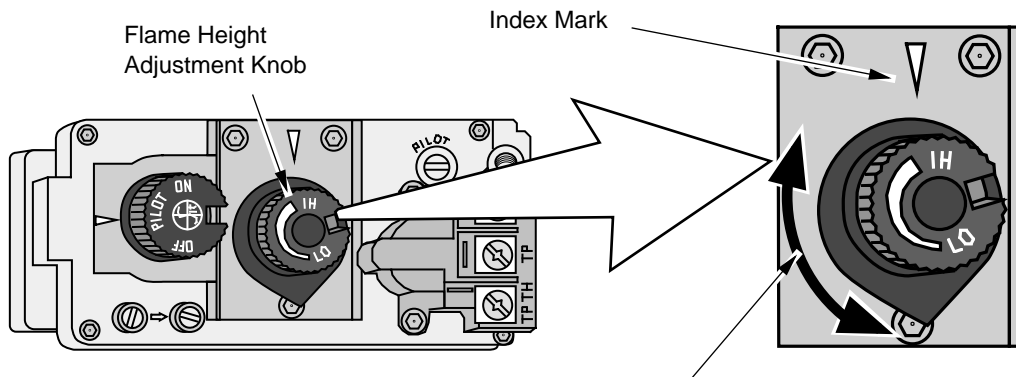
OPTIONAL REMOTE THERMOSTAT

See the instructions included with the remote for details on operation.

- Do not place any combustible items on top of or directly in front of the heater, even temporarily. The optional thermostat may start the heater causing a combustible item to ignite.
- If the heater turns on and off frequently while using the thermostat, you may want to adjust the flame height down until it produces just enough heat needed.

Adjusting the Flame Height

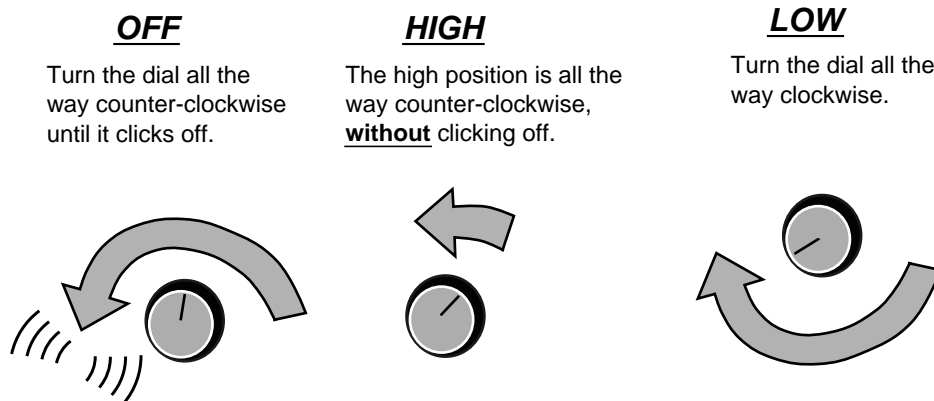
- Your heater has an adjustable flame to tailor the look and heat output to your specific needs. It is adjusted by turning the middle dial on the gas control valve.



Turn counter-clockwise to adjust the flame higher, clockwise to lower.

Adjusting the Blower Speed (Optional)

The optional blower helps transfer heat from the heater into the room. It will not turn on until the heater is up to temperature (approximately 10 minutes after starting). See the illustration below for instructions on adjusting the blower speed.



OFF

Turn the dial all the way counter-clockwise until it clicks off.

HIGH

The high position is all the way counter-clockwise, **without** clicking off.

LOW

Turn the dial all the way clockwise.

Normal Operating Sounds

Extinction Pops

It is not unusual, especially on Propane (LP) appliances, to experience a "pop" when the burner is shut off.

The appliance may creak with change of temperature -- THIS IS NORMAL.

Pilot Assembly

The pilot flame will make a slight whisper sound.

Gas Control Valve

As the gas control valve is turned on and off and the flame height changed you will hear the flame height motor.

Optional Blower Snap Disk

This part can produce a clicking sound as it turns the blower on and off.

Optional Blower

This heater has an optional blower to push heated air into the room. You will hear the sound of air movement that increases as

Normal Operating Odors

This appliance has several areas that reach high temperatures. Dust or other particles on these areas may burn and create an odor. This is normal during start-up. You may notice the smell is more acute if the appliance was left idle for a long period.

Power Outages

The heater will work if household current (AC power) is disconnected.

DANGER HIGH VOLTAGE: Disconnect power before attempting maintenance or repair.

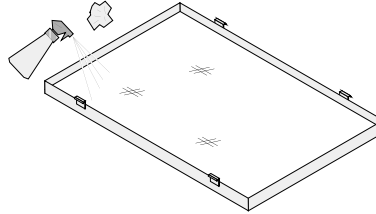
Maintaining Your Heater's Appearance



The appliance must be completely cool prior to conducting service.

Cleaning The Glass

The glass may be cleaned with a non-abrasive cleaner. To clean the inside of the glass, simply remove the glass frame, place it on a non-scratching surface, and clean the surface.



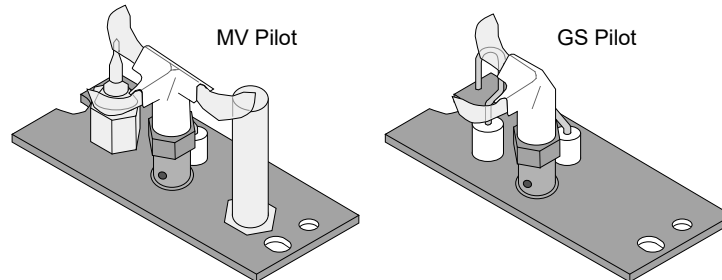
Cleaning the Face and Panels

Use a duster to remove dust from the face and panels. Contact your dealer if you wish to re-paint any surfaces. Heat-resistant stove-paint (with instructions) is available from your dealer.

Yearly Service Procedure

WARNING: Failure to inspect and maintain the stove may lead to improper combustion and a potentially dangerous situation. We recommend the following procedures be done by a qualified technician.

- Shut off gas to the fireplace and let it cool for 15 minutes. Remove the glass. Inspect and operate the pressure relief mechanism to verify relief mechanisms are free from obstruction to operate.
- Clean glass window with a suitable fireplace glass cleaner. Abrasive cleaners must not be used. Be careful not to scratch the glass when cleaning.
- Vacuum and clean any debris in the firebox.
- Check all accessible gas-carrying tubes, connections, pipes, and other components for leaks.
- Inspect the burner and firebox. Make sure the burner is not warped, cracked, or damaged. Check the firebox and area around the pilot to make sure there is no damage. Inspect primary air openings for blockage. If any problem is found, discontinue use and contact your dealer for service.
- Inspect the area behind the access door; clean if necessary. Check the gas control valve and the gas lines. If damage is found, discontinue use and contact your dealer for service. Clean the air channels, ducts, and blower (if applicable)
- Inspect vent and vent termination for sooting, obstructions, or damage. Make repairs as needed. Remove any debris or vegetation near the vent termination. Contact your dealer if any sooting or deterioration is found near the vent termination.
- Turn the pilot flame on (MV units) or turn on the on-demand pilot (GS units). It should touch approximately 3/8" of the top of the flame sensor (see below). If it does not, contact your dealer.
- Reinstall the glass assembly. If the glass is damaged, replace it. Make sure the gasket along the perimeter of the glass contacts the face of the firebox and forms an air-tight seal. If it does not, re-align or replace the gasket to ensure an air-tight seal.



- Start the main burner. Inspect and ensure the lighting of the main burner occurs within 4 seconds of the main gas valve opening.
- Test the flame failure response time of the flame safety system. It must de-energize the safety shutoff in no more than 30 seconds.
- After 15 minutes the flames should be orange/yellow and not touch the top of the firebox. If the pilot or main burners do not burn correctly, contact your dealer for service. Monitor blower operation

Troubleshooting Table

Problem:	Possible Cause:	Don't Call for Service Until You:
Pilot Will Not Light	A gas shut off valve is turned off..... The gas control knob isn't turned to "PILOT"..... The valve control knob isn't pushed in..... The igniter wasn't pressed repeatedly..... No Propane in Tank.....	Check all gas shut off valves See "Starting the Pilot Light" Step C See "Starting the Pilot Light" Step C See "Starting the Pilot Light" Step C Check Tank Level
Main Burners Will Not Start	The pilot light has gone out..... The gas control valve is turned to "PILOT" or "OFF" The ON/OFF switch is turned to "OFF"..... The remote control is not working correctly..... The thermostat is disconnected or set too low.....	See "Starting the Pilot Light" See "Starting the Pilot Light" Turn the ON/OFF switch to "ON" See the remote control instructions See "Thermostat Operation"
Optional Remote Control Does Not Work	The pilot light has gone out..... The gas control valve is turned to "PILOT" or "OFF" The ON/OFF switch is turned to "OFF"..... The remote is too far away from the heater..... The remote control receiver is turned "Off"..... Remote or receiver batteries are dead.....	See "Starting the Pilot Light" See "Starting the Pilot Light" Turn the ON/OFF switch to "ON" Use the remote closer to the heater See the remote control instructions See the remote control instructions
Heater Will Not Distribute Heat	The heater is not up to temperature.....	This is normal – allow 5 to 20 minutes for heater to reach operating temperature.
Optional Blower Does Not Turn On	The heater is not up to temperature..... The heater is not getting electricity..... The blower is set to off.....	The blower will turn on once the heater is up to temperature (5 to 20 minutes). Check the breaker switch. Check the blower knob.
Pilot Goes Out Intermittently	The gas supply has been shut off.....	Keep the gas supply turned on
Flames Are Too Blue	The heater has just been started..... Improper air shutter adjustment.....	This is normal - see "Starting the Heater for the First Time" Adjust Air Shutter - contact your dealer
Flames Are Too Short (Under 6")	The flame height may be turned too low.....	Turn the flame height to "HI" - See "Adjusting the Flame Height"
Thin Layer of Soot Covers the Glass	The logs or coals are placed incorrectly..... Improper air shutter adjustment.....	See "Log Set Installation" Adjust Air Shutter - contact your dealer

Replacement Parts List

Caution: Use only Travis Industries replacement parts. Do not use substitute materials.

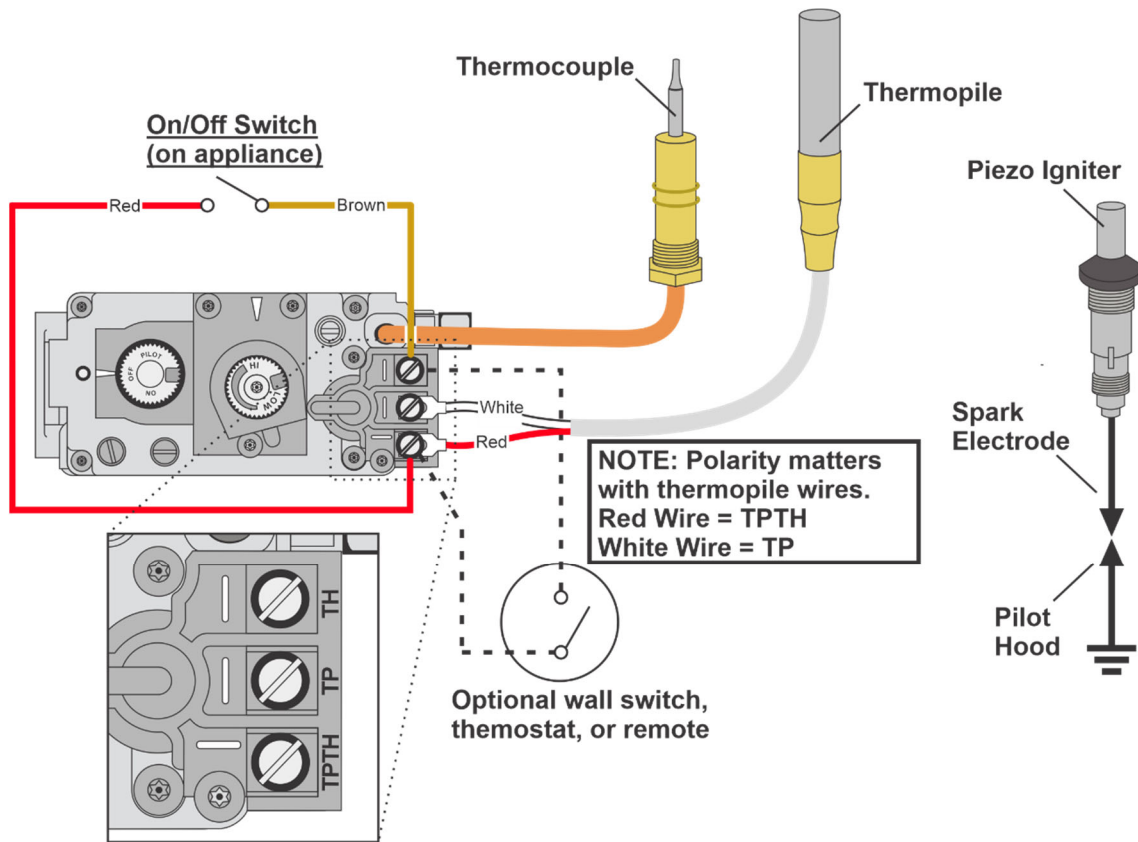
Warning: Do not operate appliance with the glass front removed, cracked, or broken. Replacement of the glass should be done by a licensed or qualified service person.

Replacement Glass Part # 250-00256

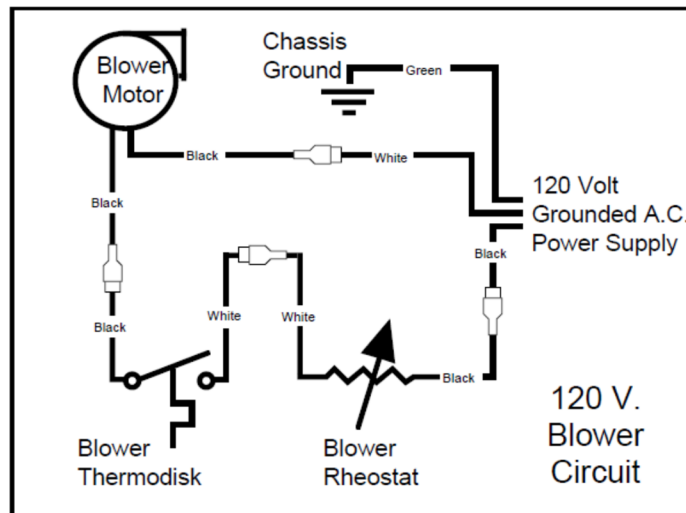
Contact your local Travis Industries Dealer for a Replacement Parts List

Wiring Diagram

Caution: Label all wires prior to disconnection when servicing controls. Wiring errors can cause improper and dangerous operation.



Optional Blower Wiring



Safety Label

The safety (listing) label is attached to the operating tag (chained to the heater near the gas control valve). A copy is shown below

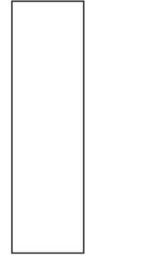
Minimum Clearances to Combustibles		Enclosure minimum height 19.75" (502mm)	Base of Insert to Mantel 27" (686mm)	See Owner's Manual
		Enclosure minimum width 27" (686mm)	Minimum chimney flue size 15" (381mm)	See Owner's Manual
		Enclosure minimum depth 15" (381mm)		7" (178mm)

FAN TYPE VENTED CIRCULATOR (OPTIONAL)

Blower Electrical Rating: 120 VAC, 0.55 Amps, 60 Hz, 66 Watts (Part No. 99000193 fan or blower assembly may be used. For use only with factory barrier (see "Finalizing the Installation" in the owners manual for part numbers). Follow installation instructions.

	PROPANE	N.G.	PROPANE	N.G.
Input Rate on "HI" (BTU/Hr)	25,000	25,000	Minimum Inlet Pressure (inches W.C.)	11" 5.5"
Input Rate on "LO" (BTU/Hr)	13,000	13,000	Maximum Inlet Pressure (inches W.C.)	13" 7"
Orifice Size - (DMS)	1.45mm	#42	Manifold Pressure on "HI" (inches W.C.)	11" 3.8"

This appliance is equipped for use only at altitudes 0-2,000 feet (0-610m) in the USA. In Canada, 0-4,500 feet (0-1370m).
For altitudes above 2,000 feet, the vent configuration, orifice, or combination of both may be need to be changed.
See owner's manual for information on making these changes.



Radiant Plus Medium Insert GSB2 / MV with "Interrupted Pilot"
Ventured Gas Fireplace Heater
Not for use with solid fuel
Certified for USA and Canada

OMNI-Test Laboratories, Inc.
Listed by Report No. 8026N1015

Certified to: ANSI Z21.88-19/CSA 2.33-19 "Ventured Gas Fireplace Heater", CGA 2.17-M91 (R2014) "Gas-fired appliances for use at high altitudes", and CSA P.4.1-15 Testing method for measuring annual fireplace efficiency.

This appliance must be installed in accordance with local codes, if any; if none, follow the National Fuel Gas Code, ANSI Z223.1/NFPA 54, or Natural Gas and Propane Installation Codes, CSA B149.1.

This appliance must be installed in accordance with the current Standard CAN/CSA Z240 MH, Mobile Housing, in Canada or with the Manufactured Home Constructions and Safety Standard, Title 24 CFR, Part 3280, in the United States, or when such a standard is not applicable, ANSI/NCSCCS A225.1/NFPA 501A, Manufactured Home Installation Standard.

This vented gas fireplace heater is equipped at the factory for use with natural gas. If conversion to propane (LP) is desired, the optional factory conversion kit must be used. Part No. 250-04278 (GSB2) or 250-04264 (MV) kit may be used.

This appliance is only for use with the type(s) of gas indicated on the rating plate and may be installed in an aftermarket, permanently located, manufactured home (USA only) or mobile home, where not prohibited by local codes. See owner's manual for details. This appliance is not convertible for use with other gases, unless a certified kit is used.

This vented gas fireplace heater is not for use with air filters.
Keep burner and control compartment clean. See installation and operating instructions accompanying appliance.

THIS APPLIANCE MUST BE PROPERLY CONNECTED TO A VENTING SYSTEM IN ACCORDANCE WITH THE MANUFACTURER'S INSTALLATION INSTRUCTIONS. Use only an approved direct vent system to vent this appliance to the exterior. See owner's manual for approved brands of venting. If the vent-air intake system is disconnected for servicing or any other reason, it must be resealed and / or reinstalled.

WARNING: Improper installation, adjustment, alteration, service or maintenance can cause injury or property damage. Refer to the owner's information manual provided with this appliance. For assistance or additional information consult a qualified installer, service agency or the gas supplier.



Manufactured by:

MANUFACTURE DATE:

<input type="checkbox"/> 2021	<input type="checkbox"/> Jan.	<input type="checkbox"/> Apr.	<input type="checkbox"/> Jul.	<input type="checkbox"/> Oct.
<input type="checkbox"/> 2022	<input type="checkbox"/> Feb.	<input type="checkbox"/> May	<input type="checkbox"/> Aug.	<input type="checkbox"/> Nov.
<input type="checkbox"/> 2023	<input type="checkbox"/> Mar.	<input type="checkbox"/> Jun.	<input type="checkbox"/> Sep.	<input type="checkbox"/> Dec.

CAUTION: Do not operate this appliance with glass removed, cracked or broken. Replacement of the panel(s) should be done by a licensed or qualified service person. Hot while in operation. Do not Touch. Severe burns may result. Keep children, clothing, furniture, gasoline and other flammable liquids having flammable vapors away.

Register your TRAVIS INDUSTRIES, INC. Limited 7 Year Warranty online at traviswarranty.com. TRAVIS INDUSTRIES, INC. warrants this gas appliance (appliance is defined as the equipment manufactured by Travis Industries, Inc.) to be defect-free in material and workmanship to the original purchaser from the date of purchase as follows:

Check with your dealer in advance for any costs to you when arranging a warranty call.
Mileage or service charges are not covered by this warranty. This charge can vary from store to store.

Component	Years 1 & 2 Parts & Labor	Years 3 Through 5 Parts & Labor	Years 6 & 7 Parts Only
Burner Assembly Burner Pan Assembly, Air Shutter Assembly, Main Burner Orifice	✓		
Electrical Assembly (within heater structure): Wiring harness, snap discs, rheostat speed control, blowers, etc.	✓		
Gas Control Assembly Adjustable control valve, fireplace controller, pilot assembly and pilot wiring	✓		
Glass Glass (breakage from thermal shock)	✓		
Media Log Set, Embers, Stones, Crushed Glass	✓		
Gold, Nickel & Copper Plating Face & Door (see "Conditions and Exclusions" # 9)	✓		
Accessories Firebacks, Power Heat Ducts, Andirons, etc...	✓		
One-Way Freight Allowance One-way freight allowance on pre-authorized repair done at factory is covered.	✓	✓	
Convection Heat Exchanger Convection heat exchanger assembly	✓	✓	
Firebox Assembly Adjustable Air Restrictor, Pressure Relief Mechanisms, Glass Attachment Mechanism	✓	✓	✓

EXCLUDED COMPONENTS:

Paint, Gasketing, and Accent Light Bulbs

CONDITIONS & EXCLUSIONS

- This new gas appliance must be installed by a qualified gas appliance technician. It must be installed, operated, and maintained at all times in accordance with the instructions in the Owner's Manual. Any alteration, willful abuse, accident, neglect, or misuse of the product shall nullify this warranty.
- This warranty is nontransferable, and is made to the ORIGINAL purchaser, provided that the purchase was made through an authorized TRAVIS dealer.
- Discoloration and some minor expansion, contraction, or movement of certain parts and resulting noise, is normal and not a defect and, therefore, not covered under warranty. The installer must ensure the appliance is burning as per the rating tag at the time of installation. Over-firing (operation above the listed BTU rate) of this appliance can cause serious damage and will nullify this warranty.
- The warranty, as outlined within this document, does not apply to the chimney components or other Non-Travis accessories used in conjunction with the installation of this product. If in doubt as to the extent of this warranty, contact your authorized TRAVIS retailer before installation.
- Travis Industries will not be responsible for inadequate performance caused by environmental conditions such as nearby trees, buildings, roof tops, wind, hills or mountains or negative pressure or other influences from mechanical systems such as furnaces, fans, clothes dryers, etc.
- This Warranty is void if:
 - The unit has been operated in atmospheres contaminated by chlorine, fluorine or other damaging chemicals.
 - The unit is subject to submersion in water or prolonged periods of dampness or condensation.
 - Any damage to the unit, combustion chamber, heat exchanger or other components due to water, or weather damage which is the result of, but not limited to, improper chimney/venting installation.
- Exclusions to this 7 Year Warranty include: injury, loss of use, damage, failure to function due to accident, negligence, misuse, improper installation, alteration or adjustment of the manufacturer's settings of components, lack of proper and regular maintenance, damage incurred while the appliance is in transit, alteration, or act of God.
- This 7 Year warranty excludes damage caused by normal wear and tear, such as paint discoloration or chipping, worn or torn gasketing, corroded or cracked logs, embers, etc. Also excluded is damage to the unit caused by abuse, improper installation, modification of the unit, drilling of the orifices, or the use of fuel other than that for which the unit is configured. Units are shipped for natural gas and must be converted to propane using the included conversion kit. Confirm fuel configuration with your installer.
- Damage to gold or nickel surfaces caused by fingerprints, scratches, melted items-, or other external sources left on the gold or nickel from the use of cleaners other than denatured alcohol is not covered in this warranty.
- TRAVIS INDUSTRIES, INC. is free of liability for any damages caused by the appliance, as well as inconvenience expenses and materials. Incidental or consequential damages are not covered by this warranty. In some states, the exclusion of incidental or consequential damage may not apply.
- This warranty does not cover any loss or damage incurred by the use or removal of any component or apparatus to or from the gas appliance without the express written permission of TRAVIS INDUSTRIES, INC. and bearing a TRAVIS INDUSTRIES, INC. label of approval.
- Any statement or representation of TRAVIS products and their performance contained in TRAVIS advertising, packaging literature, or printed material is not part of this 7 year warranty.
- This warranty is automatically voided if the appliance's serial number has been removed or altered in any way. If the appliance is used for commercial purposes, it is excluded from this warranty.
- No dealer, distributor, or similar person has the authority to represent or warrant TRAVIS products beyond the terms contained within this warranty. TRAVIS INDUSTRIES, INC. assumes no liability for such warranties or representations.
- Travis Industries will not cover the cost of the removal or re-installation of hearths, facing, mantels, venting or other components.
- If for any reason any section of this warranty is declared invalid, the balance of the warranty remains in effect and all other clauses shall remain in effect.
- THIS 7 YEAR WARRANTY IS THE ONLY WARRANTY SUPPLIED BY TRAVIS INDUSTRIES, INC., THE MANUFACTURER OF THE APPLIANCE. ALL OTHER WARRANTIES, WHETHER EXPRESS OR IMPLIED, ARE HEREBY EXPRESSLY DISCLAIMED AND PURCHASER'S RECOURSE IS EXPRESSLY LIMITED TO THE WARRANTIES SET FORTH HEREIN.

IF WARRANTY SERVICE IS NEEDED:

- If you discover a problem that you believe is covered by this warranty, you MUST REPORT it to your TRAVIS dealer WITHIN 30 DAYS, giving them proof of purchase, the purchase date, and the model name and serial number.
- Travis Industries has the option of either repairing or replacing the defective component.
- If your dealer is unable to repair your appliance's defect, he may process a warranty claim through TRAVIS INDUSTRIES, INC., including the name of the dealership where you purchased the appliance, a copy of your receipt showing the date of the appliance's purchase, and the serial number on your appliance. At that time, you may be asked to ship your appliance, freight charges prepaid, to TRAVIS INDUSTRIES, INC. TRAVIS INDUSTRIES, INC., at its option, will repair or replace, free of charge, your TRAVIS appliance if it is found to be defective in material or workmanship within the time frame stated within this 7 year warranty. TRAVIS INDUSTRIES, INC. will return your appliance, freight charges (years 1 to 5) prepaid by TRAVIS INDUSTRIES, INC., to your regional distributor, or dealership.
- Check with your dealer in advance for any costs to you when arranging a warranty call. Mileage or service charges are not covered by this warranty. This charge can vary from store to store.

LP (Propane) Conversion Instructions



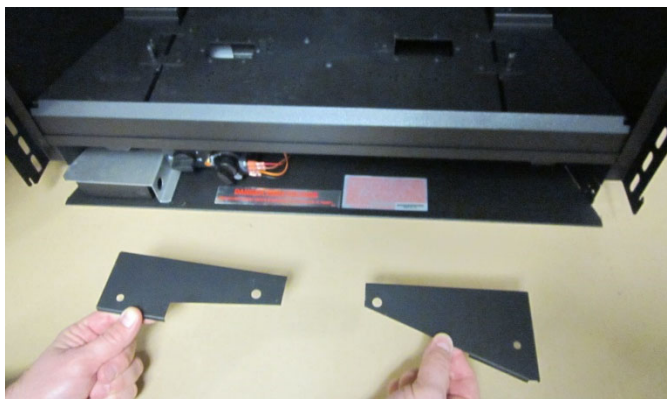
WARNING

This conversion kit shall be installed by a qualified service agency in accordance with the manufacturer's instructions and all applicable codes and requirements of the authority having jurisdiction. If the information in these instructions is not followed exactly, a fire, explosion, or production of carbon monoxide may result causing property damage, personal injury, or loss of life. The qualified service agency is responsible for the proper installation of this kit. The installation is not proper and complete until the operation of the converted appliance is checked as specified in the manufacturer's instructions supplied with the kit.

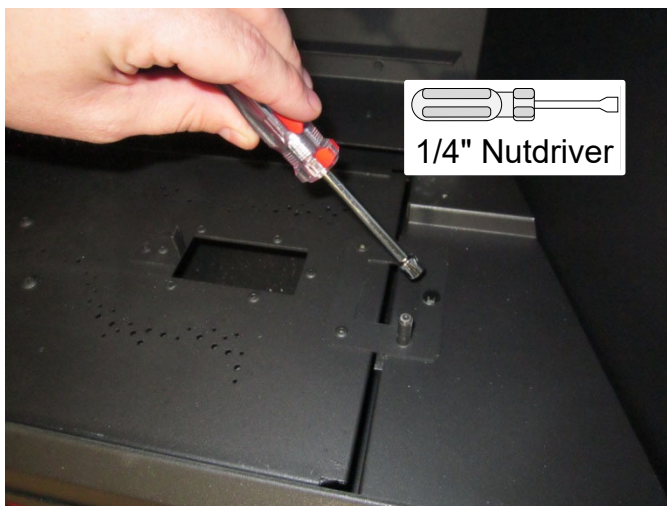
Caution: The gas supply shall be shut off prior to disconnecting the electrical power, before proceeding with the conversion.

Note: Convert the appliance prior to installing the gas line to ensure proper gas use.

1. Remove the glass frame. Remove the logs (if installed).
2. Remove the two log stands.



3. Remove the 2 screws holding the burner in place.



46

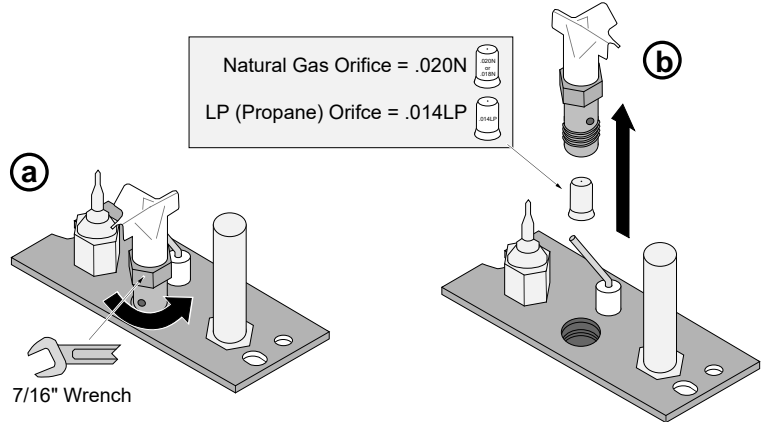
Optional Equipment (for qualified installers only)

4. Remove the burner and place it aside.



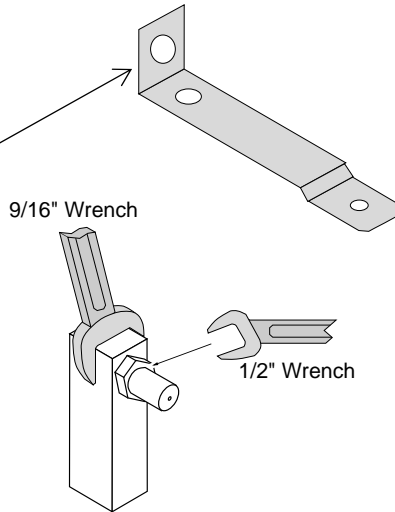
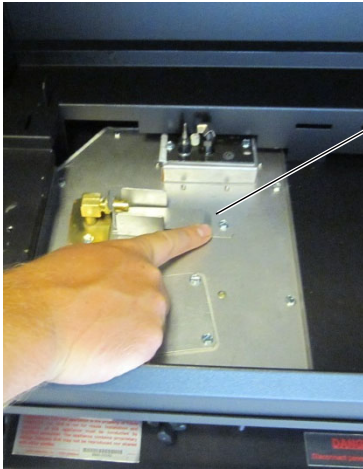
5. Install the LP (propane) pilot orifice following the instructions below.

- (a) Use a 7/16" open-end wrench to remove the pilot hood.
- (b) Remove and discard the Natural Gas (NG) orifice. Place the LP orifice in the pilot assembly then replace the pilot hood, tightening the pilot hood until it is snug (do not over-tighten).



6. Remove the burner orifice and discard. Install the LP (propane) orifice.

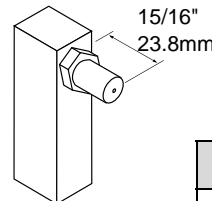
- (a) Remove the manifold cover to allow access to the burner orifice (replace manifold after installing orifice). Then slide the air shutters to provide additional room.



- (b) Use a 9/16" wrench to support the manifold while removing the orifice with a 1/2" wrench.

(c) Apply thread sealant to the LP orifice prior to installation. Use the chart below to identify the correct orifices.

- (d) Screw the LP orifice until orifice protrudes 15/16" (23.8mm) indicating full insertion (use wrench to support manifold when re-attaching orifice).

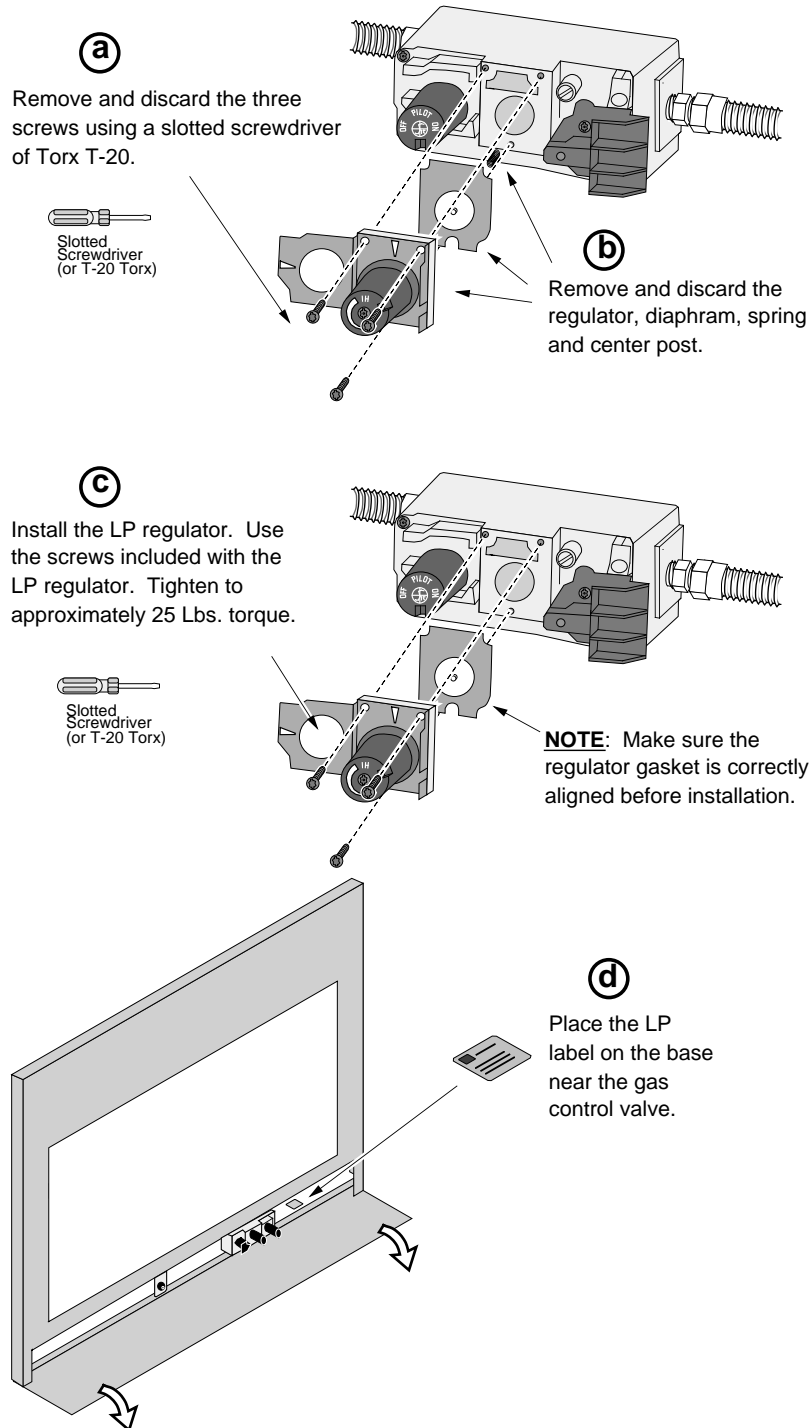


LP	NG
1.45mm	#42

IDB01280

7. Reinstall the stock manifold cover.

8. Remove the regulator from the front of the gas control valve. Replace with the propane regulator, using the new gasket and screws included with the regulator. **NOTE: Leak test this area after the heater is installed, gas is connected, and the main burner is lit.**

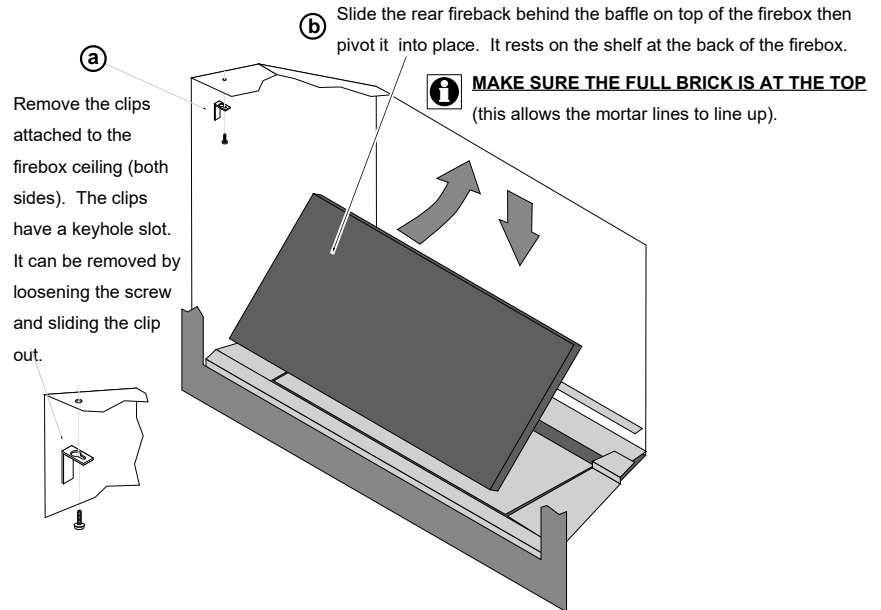


9. Replace the firebox components to restore the appliance to the correct configuration.
10. See the section “Steps for Finalizing the Installation” for instructions on starting the appliance and verifying correct operation (remove glass, bleed gas line, leak test gas connections, start the heater, inspect pilot flame, adjust air-shutter, and inspect burner performance). Verify gas output pressure (manifold pressure) at this time (see the section “Gas Line Requirements” for details).

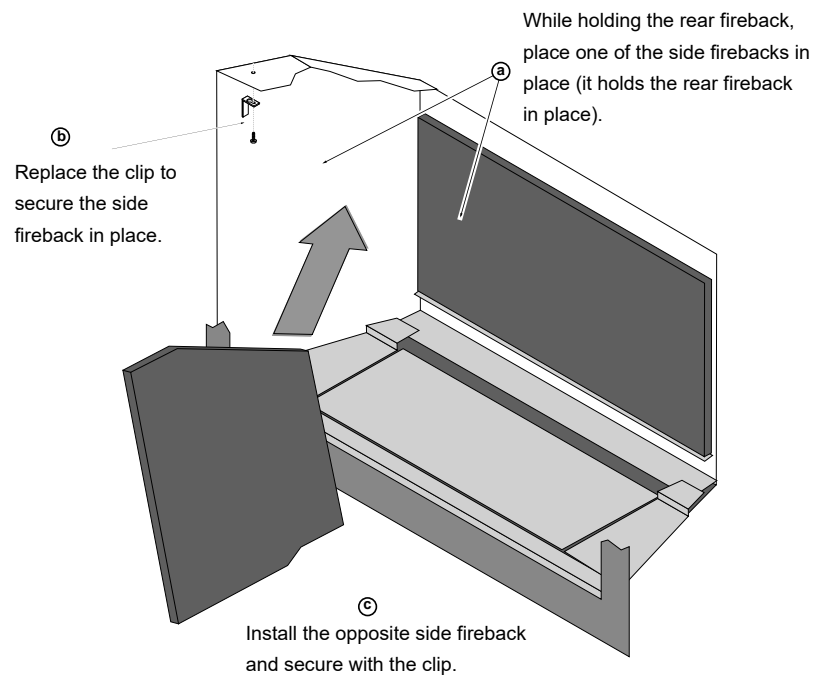
Optional Firebacks

WARNING Turn off gas to the appliance and make sure it has fully cooled prior to conducting service.

- 1 Remove the glass frame and logs (see the manual for details).
- 2 Remove the fireback clips and install the rear fireback following the directions to the right.



- 3 Install the side firebacks following the directions to the right.



Optional Remote Thermostat

If Using the Optional Blower, Install it First

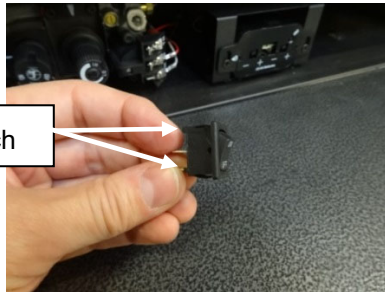
The optional blower should be installed before installing the remote.

- 1 Remove the switch bracket that holds the ON/OFF switch to the left side of the valve. It is held in place with one Philips head screw (retain screw for re-installation).
- 2 Gently pull the switch bracket forward until you can get to the back of the switch. Remove the red and brown wires from the back of the switch.

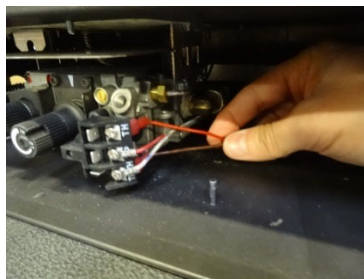
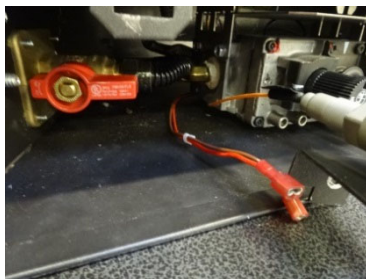


- 3 Remove the switch from the bracket and replace it with the blank that is included with the blower kit. To remove the switch squeeze the tabs on the top and bottom of the switch while pushing forward on the back side of the switch.

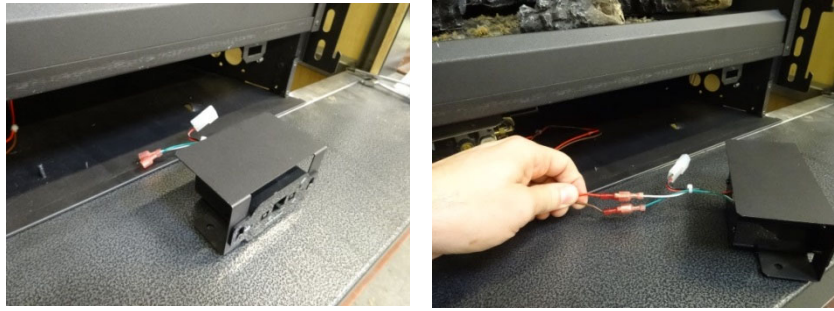
Squeeze tabs in to remove switch



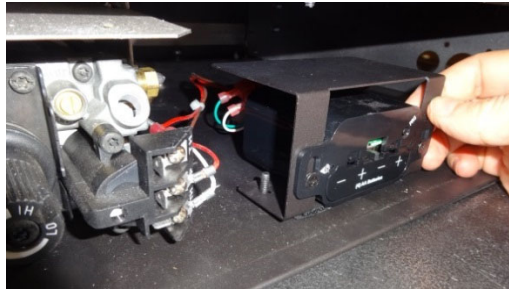
- 4 Guide the red and brown wires around the back of the valve and pull them out from the right side of the valve.



- 5 Attach the red and brown wires to the green and white wires coming from the back of the remote receiver (polarity does not matter). The white Molex connector will not be used for this application.



- 6 Remove the backing from hook and loop tape on the bottom of the remote receiver assembly. Align the hole on the left side, bottom of the remote receiver assembly with the stud protruding from the base of the unit. Orient the receiver assembly with the switch facing forward. Firmly push down on the assembly to adhere the hook and loop tape to the base of the unit.



- 7 **Verify no wires are touching the firebox bottom, adjust if necessary.**
- 8 Install 4AA batteries into the receiver.
- 9 Sync the remote with the receiver (see instructions included with remote).

Optional Blower

Installation

WARNING: Do not plug the blower in until it is fully installed and grounded. Do not connect 110-120 VAC to the gas control valve or wiring system of this appliance.

NOTE: Install the blower after the insert is in place. The blower is only secured with vibration-damping grommets. The blower will dislodge if the insert is tipped forward.

1. See instructions included with kit.

Service Instructions



WARNING:

Disconnect power to the blower before servicing (unplug power cord or turn off service breaker).

The blower assembly may be removed while leaving the wires connected. Slide the blower forward off of the grommets, being careful to not damage or disconnect any wiring (see illustration above). The blower may be vacuumed or brushed clean. Re-install the blower after cleaning, making sure the blower base inserts into the grommets. Make sure all wiring remains connected and does not contact any hot or moving components.

Additional Items Required	7	LP Conversion Instructions	45
Before You Begin	33	Maintaining Your Heater's Appearance	38
Clearances	11	Normal Operating Odors.....	37
Dimensions	6	Normal Operating Sounds	37
Electrical Requirements for Optional Blower ...	10	Order of Installation.....	7
Features	6	Packing List.....	7
Fireplace Requirements	8	Pilot Fuel Conservation Timer	35
Fuel	6	Power Outages	37
Gas Line Requirements	13	Replacement Parts List.....	41
Glass Frame Removal and Installation	24	Rock Wool Placement	30
Hearth Requirements	9	Starting the Heater for the First Time	35
Heating Specifications.....	6	Starting the Pilot.....	34
Installation Options.....	6	Steps for Finalizing the Installation	31
Installation Warnings	7	Surround Panel Installation.....	23
Leveling Legs	10	Vent Requirements	14
Location of Controls	33	Wiring Diagram	42
Log Installation	27	Yearly Service Procedure	39