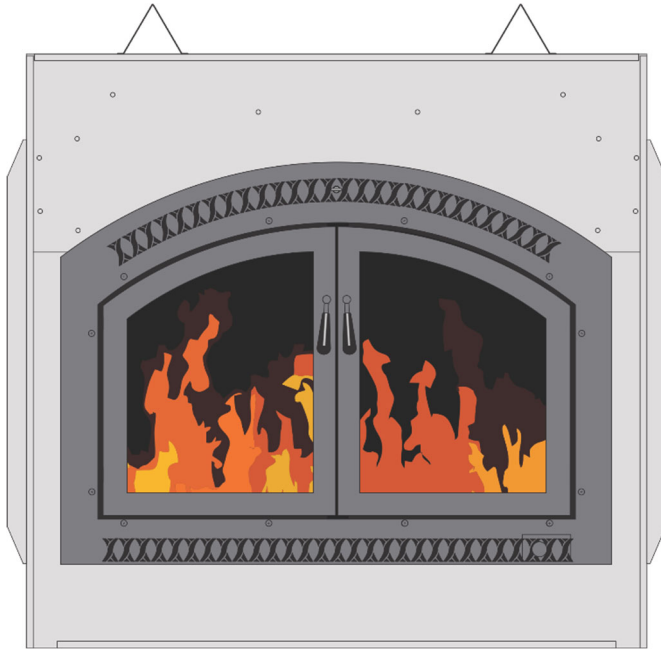




44 Elite NexGen-Hybrid Wood Burning Fireplace Installation Manual

Save these instructions for future reference



WARNING



**HOT GLASS WILL
CAUSE BURNS.
DO NOT TOUCH GLASS
UNTIL COOLED.
NEVER ALLOW CHILDREN
TO TOUCH GLASS.**

SAFETY NOTICE:

If this appliance is not properly installed, a house fire may result. For your safety, follow the installation directions. Contact local building or fire officials about restrictions and installation inspection requirements in your area.



Travis Industries, Inc.
12521 Harbour Reach Dr.
Mukilteo, WA 98275

© Copyright 2022, T.I.
\$10.00 100-01582
4/5/2023



Listed by
Omni-Test Laboratories, Inc.
Report # 0028WF136E & # 0028WF061S
Tested to: U.L. 127-2015

Introduction

We welcome you as a new owner of a Fireplace Xtordinaire appliance. In purchasing a 44 Elite NexGen-Hybrid, you have joined the growing ranks of concerned individuals whose selection of an energy system reflects both a concern for the environment and aesthetics. The Fireplace Xtordinaire 44 Elite NexGen-Hybrid is one of the finest wood burning appliances the world over. This installation manual and the related operation manual explain the installation, operation, and maintenance of your new fireplace. Please familiarize yourself with the manual before operating your appliance and save the manual for future reference. Included are helpful hints and suggestions which will make the installation and operation of your new appliance an easier and more enjoyable experience. We offer our continual support and guidance to help you achieve the maximum benefit and enjoyment from your appliance.

Important Information

No other 44 Elite appliance has the same serial number as yours. The serial number is stamped onto the label just inside the door of the fireplace.

This serial number will be needed in case you require service of any type.

Model: FPX 44 Elite NexGen-Hybrid

Serial Number: _____

Purchase Date: _____

Purchased From: _____

Register your warranty online at:

traviswarranty.com

Save Your Bill of Sale.

To receive full warranty coverage, you will need to show evidence of the date you purchased your heater.

We suggest that you attach your Bill of Sale to this page so that you will have all the information you need in one place should the need for service or information occur.



We suggest that our woodburning hearth products be installed and serviced by professionals who are certified in the U.S. by the National Fireplace Institute® (NFI) as NFI Woodburning Specialists or who are certified in Canada by Wood Energy Technical Training (WETT).



| | | | |
|--|-----------|--|-----------|
| Introduction | 2 | Blower Duct Connection | 18 |
| Important Information | 2 | Blower Electrical Connection | 19 |
| Installation Warnings | 4 | Chimney Requirements..... | 19 |
| Operating Warnings | 4 | Approved Chimney | 19 |
| Installation Options..... | 5 | DuraVent Part Numbers (available through Travis Ind.) | 19 |
| Heating Specifications..... | 5 | Chimney Installation –DuraVent (preferred) | 20 |
| Emissions | 5 | Chimney Offset Chart (DuraVent)..... | 21 |
| Dimensions | 6 | Chimney Installation – Non- DuraVent | 21 |
| Planning the Installation..... | 7 | Chimney Clearances to Combustibles | 22 |
| Preparation for Installation..... | 7 | Chimney Height | 23 |
| Packing List..... | 7 | Offset Requirements (30° Elbows) | 24 |
| Additional Accessories Needed for Installation.. | 7 | Firestops | 24 |
| Items Shipped with the Faceplate | 7 | Chimney Termination Requirements | 25 |
| Items Shipped with the Door(s) | 7 | Facing Requirements | 26 |
| Installation Overview | 8 | Facing Requirements (continued)..... | 27 |
| Recommended Order of Installation | 8 | Using Non-Combustible Facing/Framing with a Recessed Enclosure..... | 28 |
| Installation Requirements for Cold Environments | 9 | Using Non-Combustible Facing/Framing with a Recessed Enclosure (cont.)..... | 29 |
| Install the Blower in an Internal Location | 9 | Top View | 29 |
| Cooling Air “P” Trap | 9 | Requirements..... | 29 |
| Bi-Metallic Damper..... | 10 | Mantel Requirements..... | 30 |
| Humidity | 10 | Mantel Depth When Using Thick Facing | 30 |
| Negative Pressure Warning | 11 | Non-Combustible Mantels..... | 31 |
| What Causes Negative Pressure..... | 11 | Hearth Requirements..... | 32 |
| How to Measure Negative Pressure..... | 11 | Finalizing the Installation | 33 |
| How to Remedy Negative Pressure | 11 | Remove Set-Up Face | 33 |
| Fireplace Placement Requirements | 12 | Prepare the Firebox | 34 |
| Minimum Framing Dimensions | 12 | Listing Information | 35 |
| Framing Dimensions at 45° | 12 | Install the Faceplate Insulation | 36 |
| Fireplace Placement | 13 | Faceplate Installation | 37 |
| Construct The Stand-Offs On Top Of The Fireplace.... | 14 | Switch plate Installation and Blower Check..... | 38 |
| Clearances | 14 | Door Installation | 39 |
| Raised Fireplaces | 15 | Door Latch Adjustment | 39 |
| Cooling Vent Requirements | 15 | Warranty | 40 |
| Cooling Vent Requirements Cont. | 16 | Listing Label..... | 41 |
| Blower Requirements | 17 | | |
| Blower Duct Routing | 17 | | |

Installation Warnings

- Read this entire manual before installing the fireplace.
- Failure to install this fireplace in accordance with all local codes and the requirements listed in this manual may result in property damage, bodily injury, or even death.
- Notify your insurance company before installing this fireplace.
- The requirements listed below are divided into sections. All requirements must be met simultaneously. The order of installation is not rigid – the qualified installer should follow the procedure best suited for the installation.
- Modifications of the fireplace (doors, blower, air inlet systems, damper control, or any other component supplied by Travis Industries) or use of any part not approved by Travis Industries in combination with this fireplace system will void the listing and warranty.
- This fireplace is not approved for use in a mobile home.
- **Travis Industries, Inc. grants no warranty, implied or stated, for the installation or maintenance of your heater, and assumes no responsibility for any consequential damage(s).**

Operating Warnings

- **WARNING: THE FIREPLACE SHOULD BE OPERATED ONLY WITH DOORS FULLY OPEN OR DOORS FULLY CLOSED. IF DOORS ARE LEFT PARTLY OPEN, GAS AND FLAME MAY BE DRAWN OUT OF THE FIREPLACE OPENING, CREATING RISKS OF BOTH FIRE AND SMOKE.**
- **Creosote – Formation and Need for Removal**
When wood is burned slowly it produces tar and other organic vapors which combine with expelled moisture to form creosote. The creosote vapors condense in the relatively cool chimney flue of a slow-burning fire. As a result, creosote residue accumulates on the flue lining. When ignited this creosote makes an extremely hot fire.
The chimney shall be inspected at least twice a year during the heating season to determine when a creosote buildup has occurred.
When creosote has accumulated it shall be removed to reduce the risk of a chimney fire.
- Never use gasoline, gasoline-type lantern fuel, kerosene, charcoal lighter fluid, or similar liquids to start or ‘freshen up a fire in this fireplace. Keep all such liquids well away from the fireplace while it is in use.
- **Disposal of Ashes**
Ashes should be placed in a metal container with a tight-fitting lid. The closed container of ashes should be placed on a noncombustible floor or the ground, well away from all combustible materials, pending final disposal. If the ashes are disposed of by burial in soil or otherwise locally dispersed, they should be retained in the closed container until all cinders have thoroughly cooled.
- Do not use a fireplace insert or other products not specified for use with this fireplace.
- Do not poke or stir the logs while they are burning. Use only firelogs that have been evaluated for the application in a fireplace and refer to firelog warnings and caution markings on packaging prior to use. Do not use firelogs that contain anything other than wood.

Smoke and CO Detectors: Make sure your home has a working smoke detector, especially near any bedrooms. We recommend having a smoke and/or CO detector in the same room as the wood heater for additional safety.

Proposition 65 Warning: Fuels used in gas, woodburning or oil-fired appliances, and the products of combustion of such fuels, contain chemicals known to the State of California to cause cancer, birth defects, and other reproductive harm. California Health & Safety Code Sec. 25249.6

Travis Wood Burning Fireplaces, Stoves, and Inserts are protected by one or more of the following patents; U.S. 9,170,025 4,665,889 as well as other U.S. and Foreign Patents pending.

This wood heater needs periodic inspection and repair for proper operation. It is against federal regulations to operate this wood heater in a manner inconsistent with operating instructions in this manual.

This fireplace requires an air source to operate. Combustion air starvation will result in poor performance or smoke in the house

Installation Options

- Residential (not approved for HUD Mobile Homes)
- Straight or Corner Placement
- Flush or Recessed Face
- Raised or Floor Placement
- Raised or Floor Hearth
- Internal or External Chase
- 3 Blower Duct Locations
- 2 Electrical Connection Locations

Heating Specifications

| | |
|---|-------------------------|
| Approximate Heating Capacity (in square feet) * | up to 3,000 Square Feet |
| Maximum Burning Time | Up to 12 Hours |
| EPA Tested Crib Wood BTUs per Hour ** | 12,016 to 54,510 |
| BTUs per hour using cord wood | 12,500 to 78,000 |

* Heating capacity will vary depending on the home's floor plan, degree of insulation, and the outside temperature. It is also affected by the quality and moisture level of the fuel.

** EPA tests to determine BTU output are performed with a single standardized load of dimensional lumber (crib fuel). When burning cord wood, the fireplace will achieve higher BTUs. The BTU output of the fireplace can be higher than the numbers established during EPA testing depending upon the quantity and species of wood being burned. Based on our in-house testing using cord wood, real world BTUs will typically fall between the cord wood numbers listed above.

This model was tested for efficiency using method B415.1-10 and was determined to have a weighted average Higher Heating Value (HHV) Overall Heating Efficiency (OHE) of 81.3%. The overall efficiency of the heater may be lower if the heater is operated without a heat exchange blower or with the installed heat exchange blower turned off.

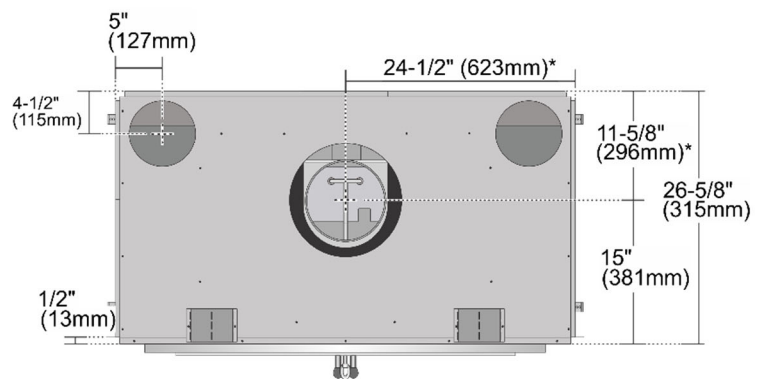
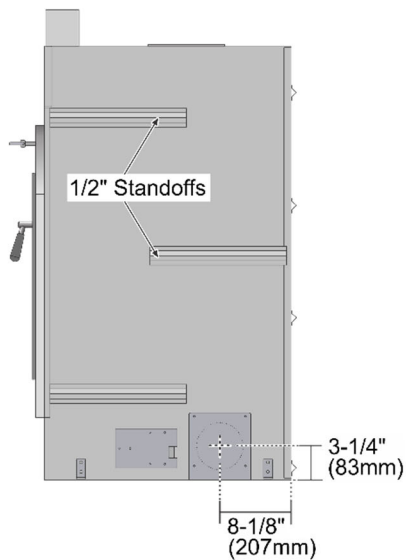
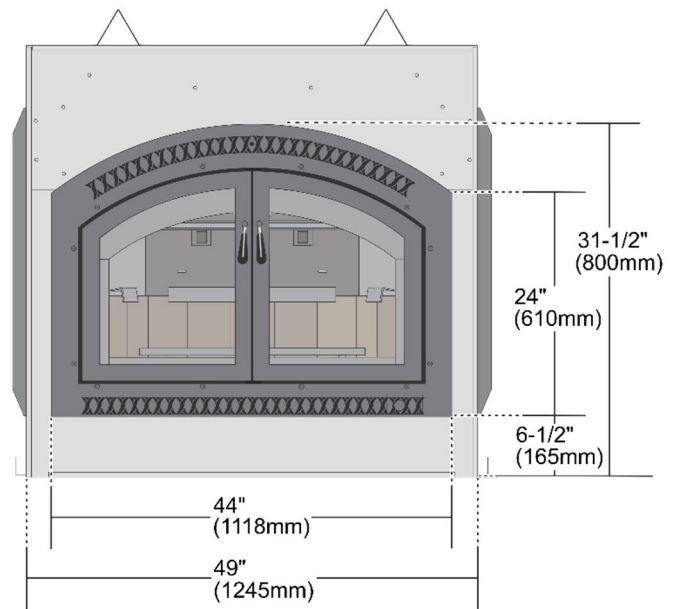
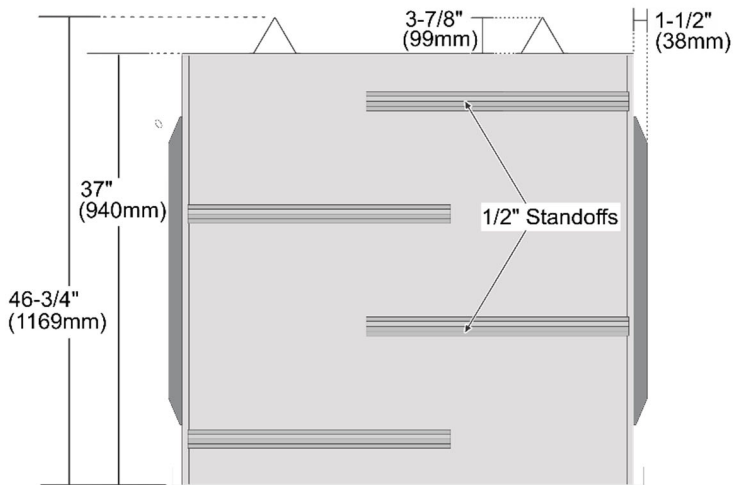
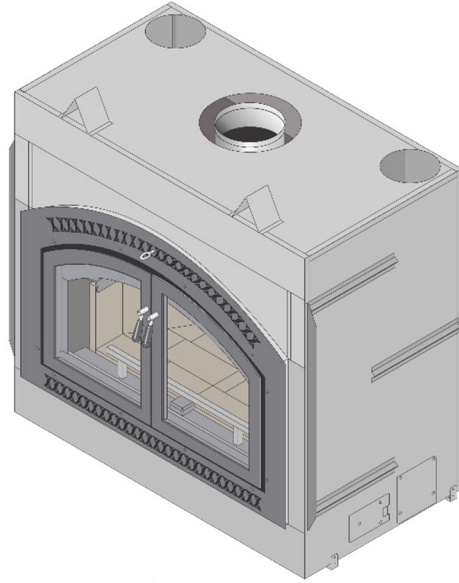
Emissions

This heater meets the 2020 U.S. EPA's crib wood emission limits for wood heaters. Tested to EPA ASTM E2780-10, ASTM 2515-10, CSA B415.1-10 this heater has been shown to deliver heat at rates ranging from 12,016 to 54,510 BTU/hr. and an emission value of 1.1g/h. Report No. 0028WF136E.



This wood heater has a manufacturer-set minimum low burn rate that must not be altered. It is against federal regulations to alter this setting or otherwise operate this wood heater in a manner inconsistent with operating instructions in this manual.

Dimensions



SAFETY NOTICE:

Please read this entire manual before you install and use your new room heater. Failure to follow instructions may result in property damage, bodily injury, or even death. Contact local building or fire officials about restrictions and installation inspection requirements in your area.

Planning the Installation

We suggest that you have an authorized Travis Industries dealer install your fireplace. If you install the fireplace yourself, your authorized dealer should review your installation plans.



Check with local building officials for any permits required for the installation of this fireplace and notify your insurance company before proceeding with the installation.

Preparation for Installation

- Check for damage to the exterior of the fireplace (dents should be reported, and scratches can be fixed by applying touch up paint).
- Check the interior of the firebox (replace cracked firebrick and make sure the baffle is in place).



The fireplace can be lightened by removing the firebricks - replace them before operation.

Packing List

- Wood Moisture Meter
- Grate
- Baffle
- Blower Assembly
- Ember Strip
- Log Retainer (includes hex wrench & instructions)
- Flex Duct w/ start collar – 3' Length, 6" Diameter (For Blower)
- Two 7" Start Collars (For Cooling Vents)
- Two 10' Flex Ducts, 7" Diameter (For Cooling Vents)
- Two Vent Hoods (For Cooling Vents)
- Two Vent Hood Storm Collars (For Cooling Vents)
- Faceplate Gasket
- Catalytic Temperature Reader (w. installation inst.)

Additional Accessories Needed for Installation

- Faceplate
- Doors

Items Shipped with the Faceplate

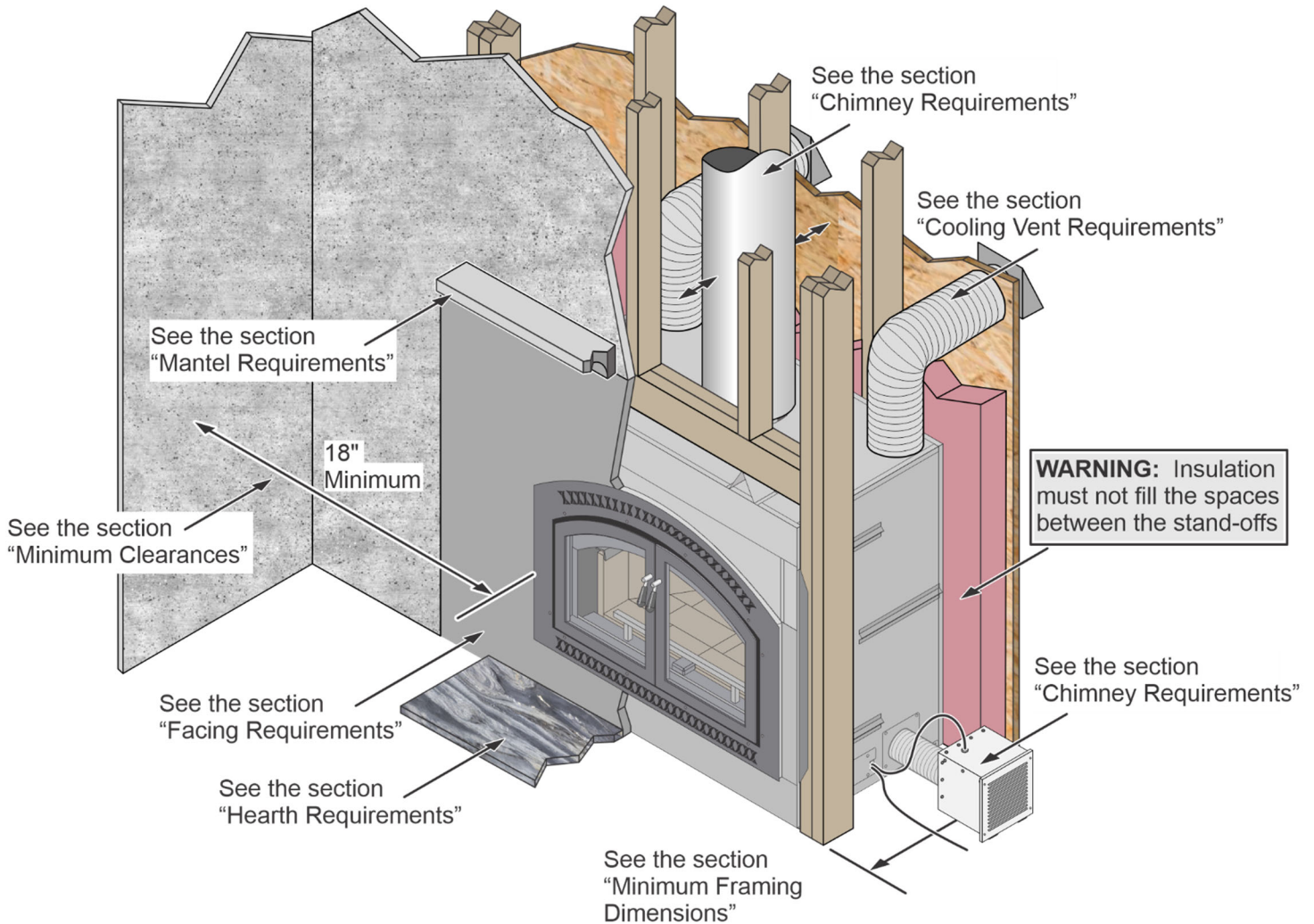
- Faceplate (two switch plate screws are attached)
- Switch Plate (includes blower rheostat)
- 10 Faceplate Screws

Items Shipped with the Door(s)

- Owner's Manual
- Installation Hardware Pack
- Pair of Gloves
- Efficiency and Registration Cards

Installation Overview

- All requirements below must be met.



Recommended Order of Installation

- Frame the opening for the fireplace. Make sure to allow for vent, blower, and cooling vent installation.
- Secure the fireplace to the floor.
- Install the vent, blower, cooling vents, and electrical hook-up.
- Complete the framing above the fireplace.
- Install the hearth.
- Install the facing.
- Install the mantel.
- Finalize the installation (see the instructions starting on page 33).

Installation Requirements for Cold Environments

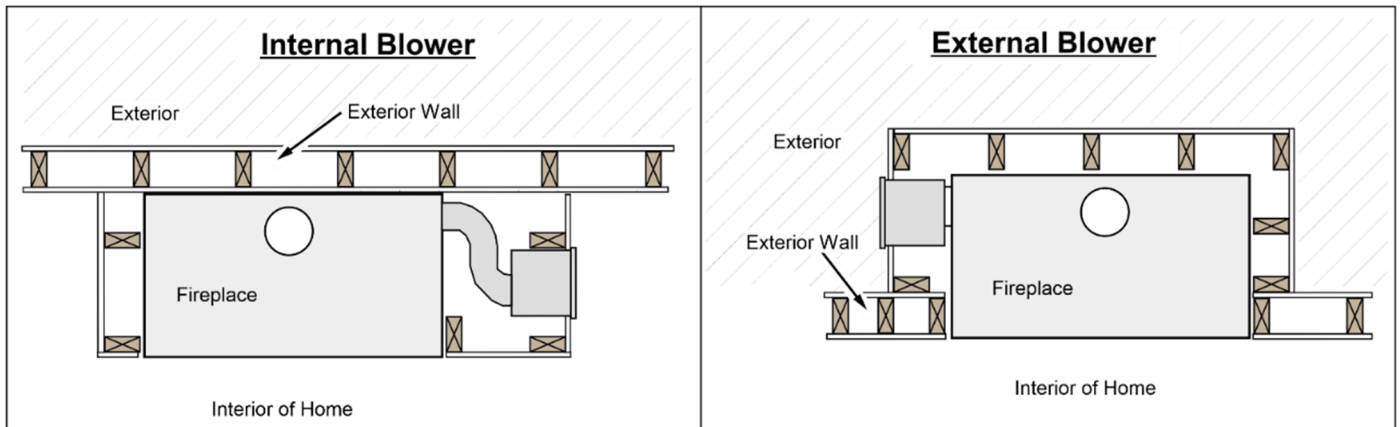
If you live in the area depicted in black (see right) you must install a cooling air “P” trap as detailed below and install the blower on an internal wall. In addition, make sure the homeowner follows the requirements shown below to help minimize cold air being pulled into the fireplace when it is not in use.



Install the Blower in an Internal Location

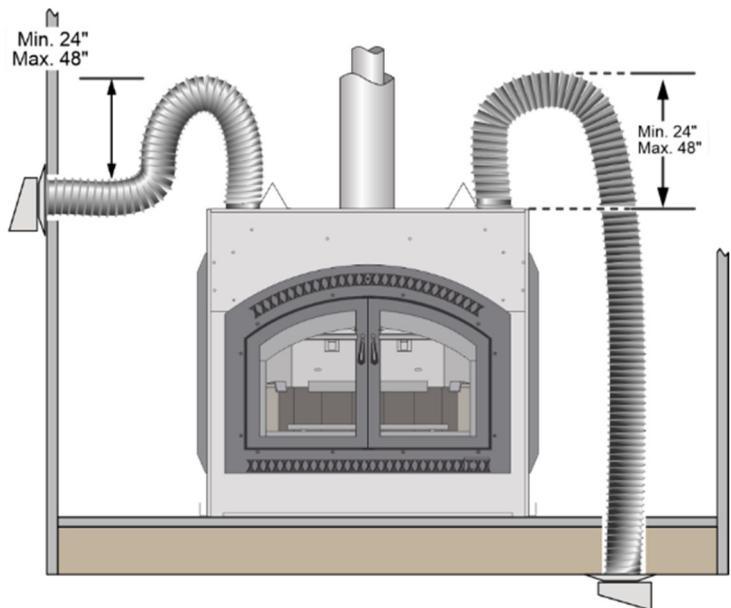
In cold environments, the blower must be positioned on an internal wall (see illustration). This eliminates any chance of any outside air being drawn into the convection chamber from the blower location.

NOTE: Do not place the blower inside a garage or other area that may circulate fumes.



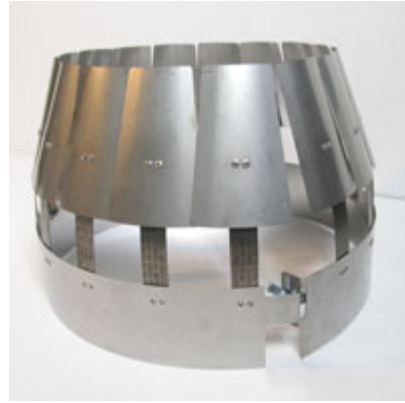
Cooling Air “P” Trap

When installing the cold air ducts, make sure to include a “P” trap in the design (see the illustration to the right). This helps slow cold air from circulating through the cooling air chamber.



Bi-Metallic Damper

In extremely cold environments the installer may wish to install a cooling air damper on the chimney. This component (part # 250-01741) is an 18" section of DuraVent pipe that is installed at the top of the chimney, directly below the cap. It has a heat-activated damper that helps reduce cold air from entering the cooling ducts while the fireplace is not in operation.

**Humidity**

Make sure the humidistat is set correctly. The chart below details the correct setting for the temperature you are experiencing outdoors.

| Outdoor Temperature | | Recommended Humidity Controller Setting |
|---------------------|-----|---|
| °F | °C | |
| -20 | -29 | 15 |
| -10 | -23 | 20 |
| 0 | -18 | 25 |
| +10 | -12 | 30 |
| +20 | -7 | 35 |
| >+20 | >-7 | 40 |

Note: If using a humidifier, let the homeowner know that it should be shut off or turned to a lower setting to eliminate condensation.

Other Items

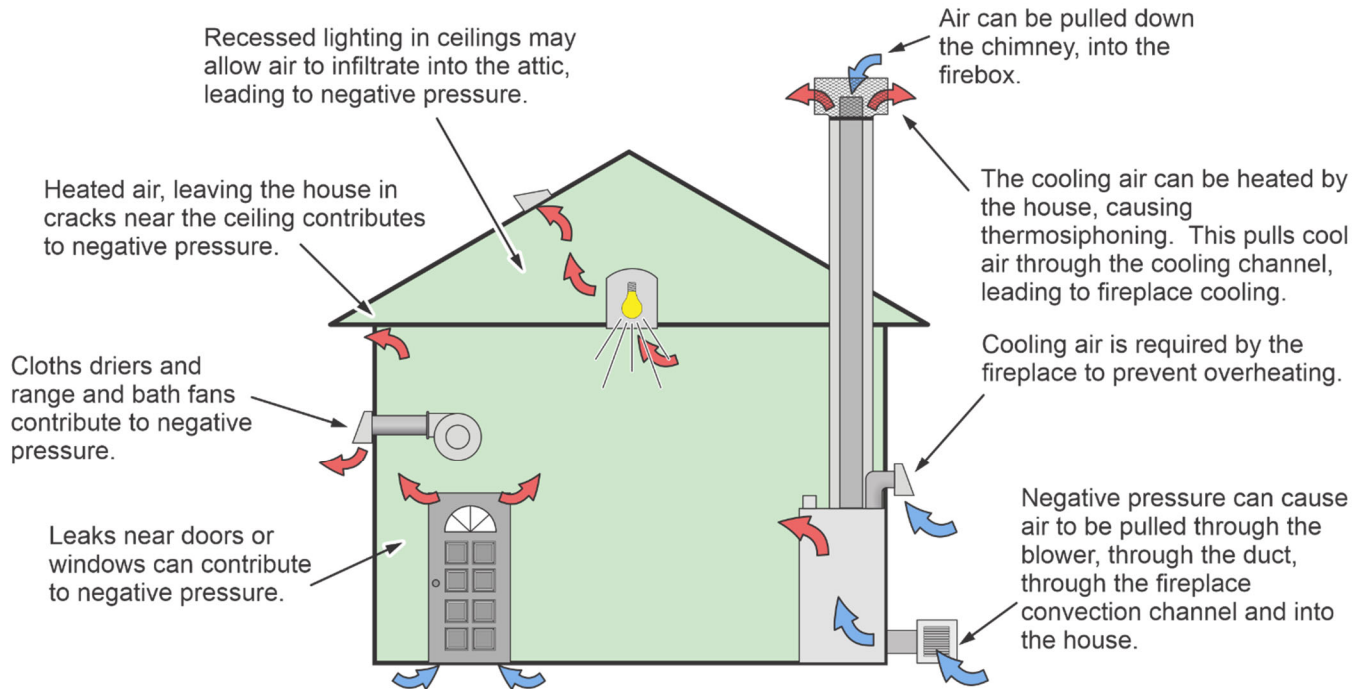
- Make sure the bypass is shut when the fireplace is not in use.
- Minimize the use of exhaust fans in the home when the fireplace is not in use.

Negative Pressure Warning

The Fireplace Xtordinaire wood fireplace relies upon natural convection to supply cooling air to the fireplace. If installed in a house experiencing negative pressure, air may be pulled into the fireplace. This leads to the face becoming cold while the fireplace is not in use, and in severe cases, air being pulled into the room.

What Causes Negative Pressure

Today's air-tight homes are not 100% airtight. If air leaks are found at the top of the home enclosure, air may be pulled through the home due to convection (the warmer air moves upwards, leaving the home, causing air to be pulled into the home from a different location). See the illustration below.



How to Measure Negative Pressure

Digital pascal meters (also called "pressure meters" or "manometers") can measure negative pressure readings inside a home. They typically cost around \$600. They measure pascals (1 pascal is equal to .004" Water Column). Typical homes have 0 to -1 pascals. Homes with negative pressure have -2 or more (we have measured homes with upwards of -8 pascals). We strongly recommend measuring the pressure in homes suspected of encountering negative pressure. This allows the homeowner, and fireplace installer, to view an objective measurement.

How to Remedy Negative Pressure

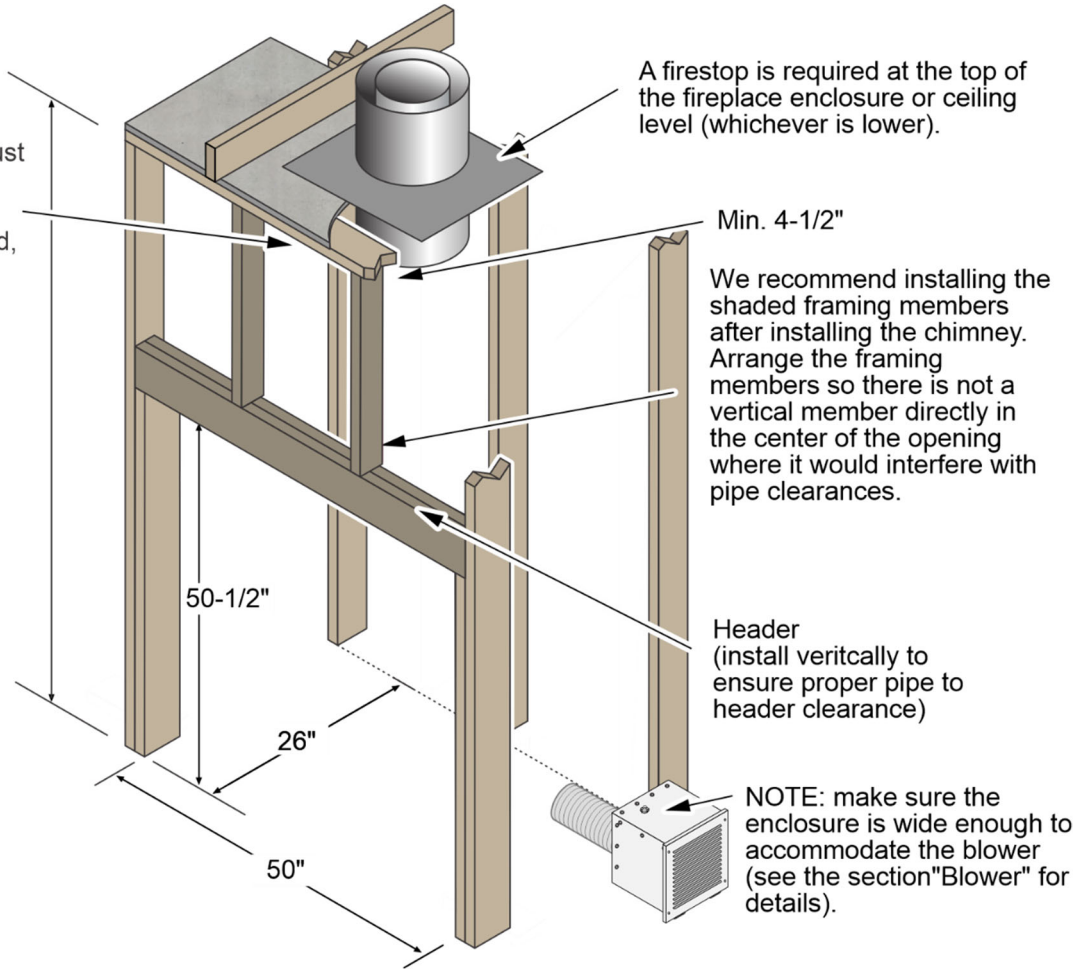
The only proven method to reduce negative pressure is to install an "air exchanger". This device allows outside air to enter the home after going through a "heat exchanger" to minimize cold infiltration.

Fireplace Placement Requirements

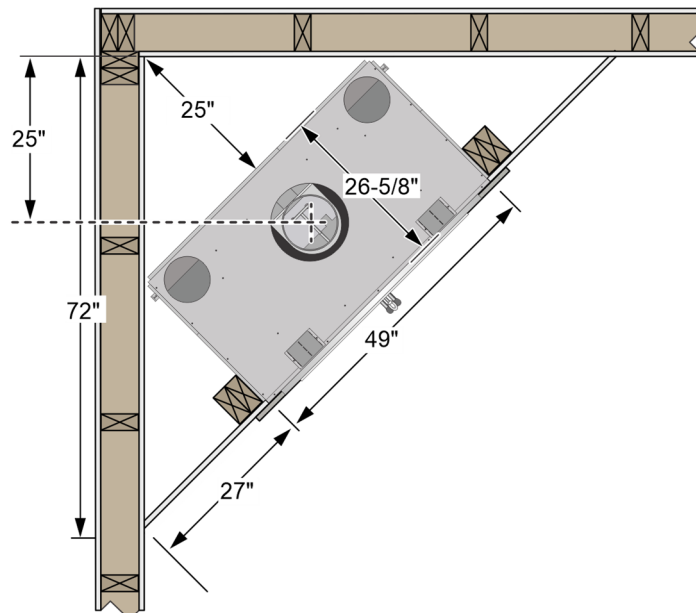
Minimum Framing Dimensions

The fireplace enclosure must not be less than 81" above the base of the fireplace.

- If the fireplace is raised, the enclosure height must be raised to maintain the 81".
- Do not build into this area.
- do not slope the walls

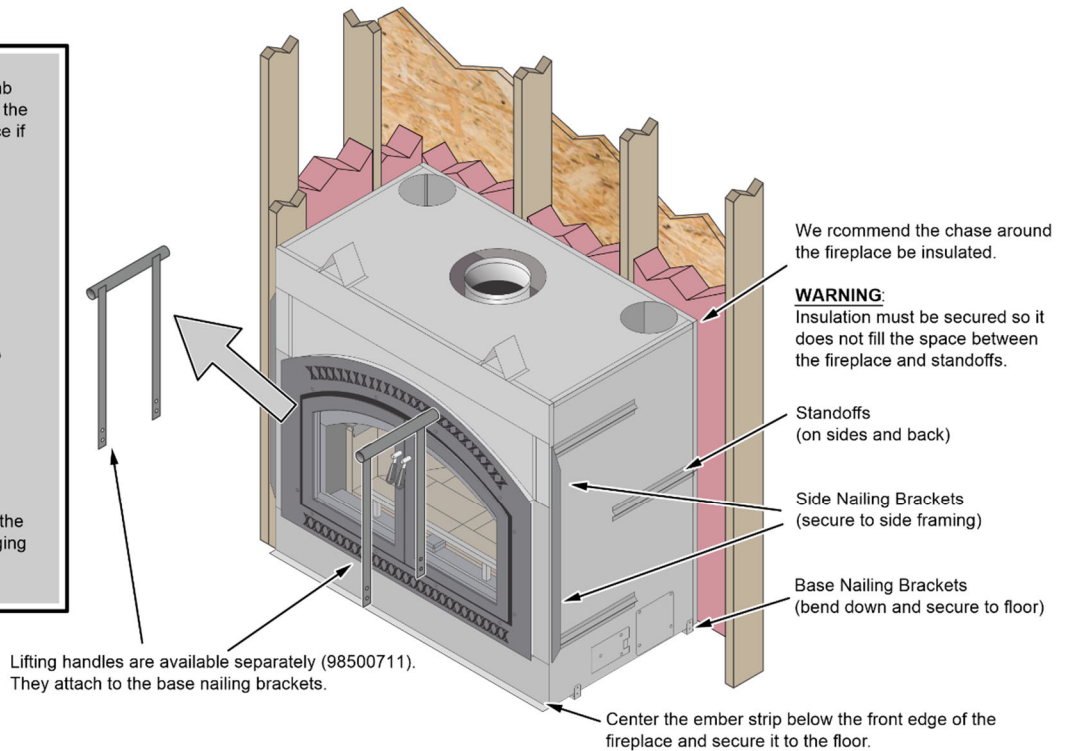
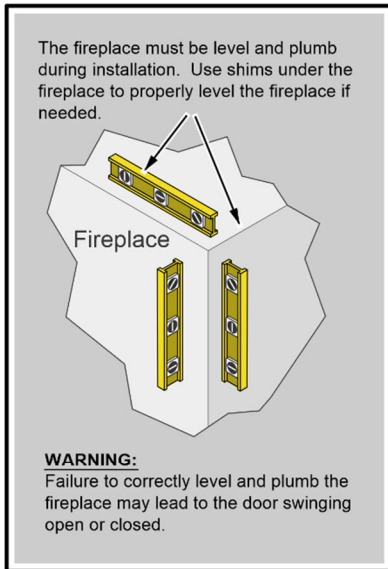


Framing Dimensions at 45°



Fireplace Placement

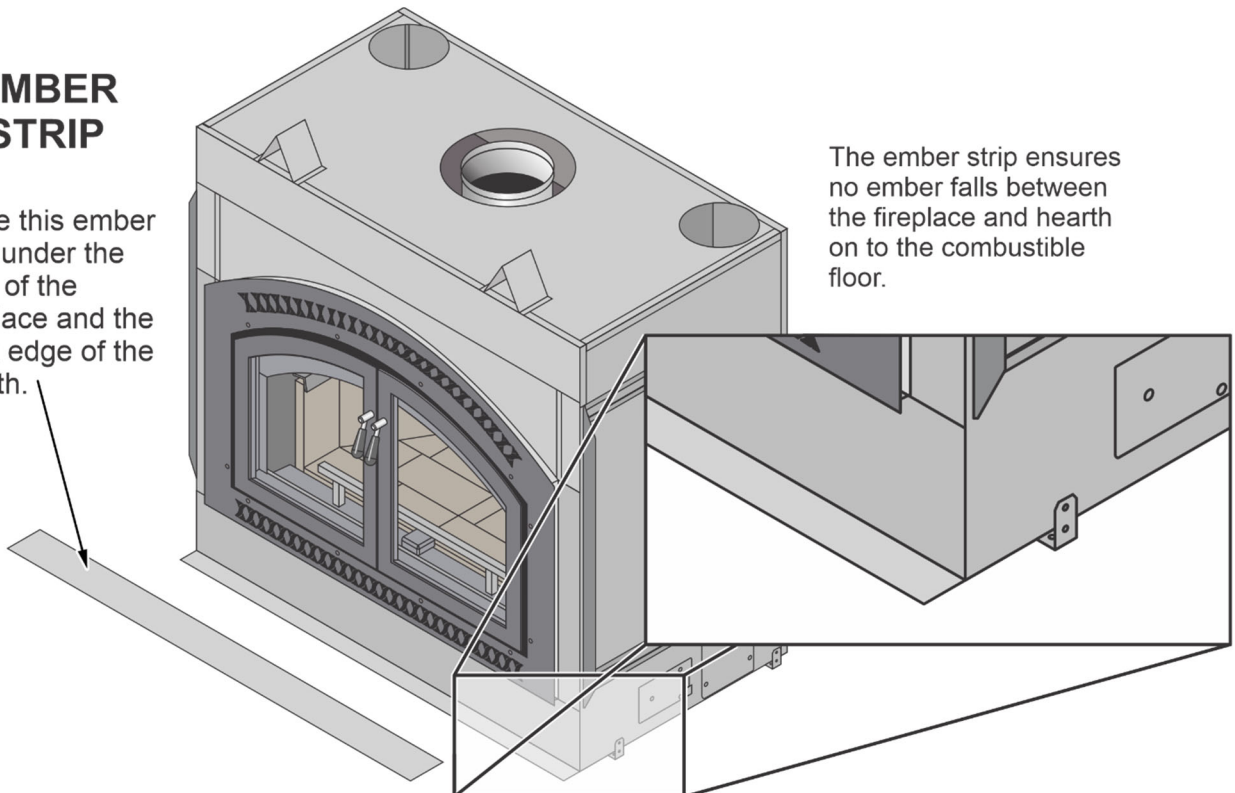
- The fireplace must be secured to the floor (use the lifting handle brackets - see).



- The fireplace must be placed directly on a wood or non-combustible surface (not on linoleum or carpet)
- The fireplace must be installed on a level surface capable of supporting the fireplace and chimney
- Place the ember strip included with the fireplace below the front edge of the fireplace (see below).

EMBER STRIP

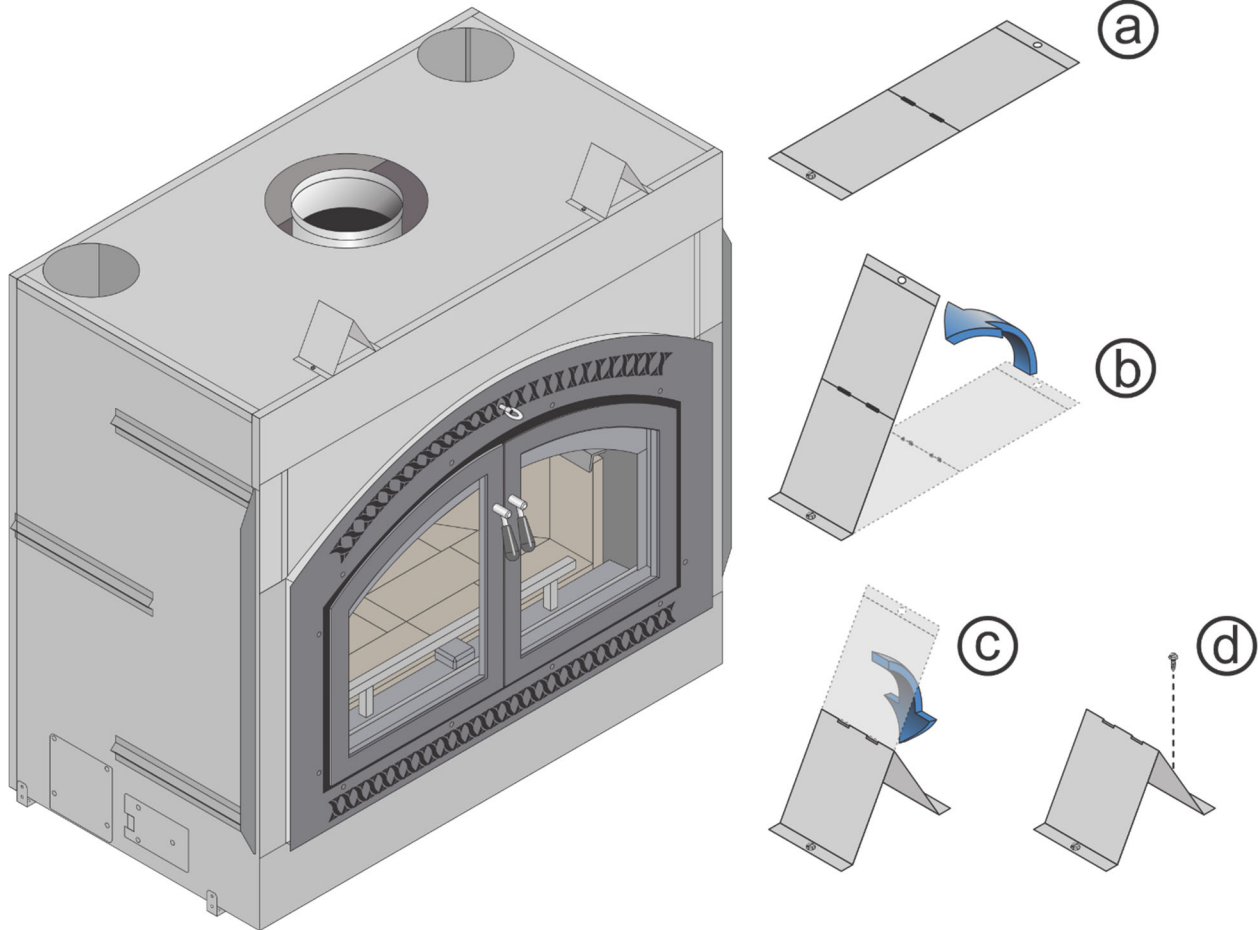
Place this ember strip under the front of the fireplace and the back edge of the hearth.



Construct The Stand-Offs On Top Of The Fireplace

The two standoffs on top of the fireplace are shipped in the flat position. Bend them up and secure them as shown below

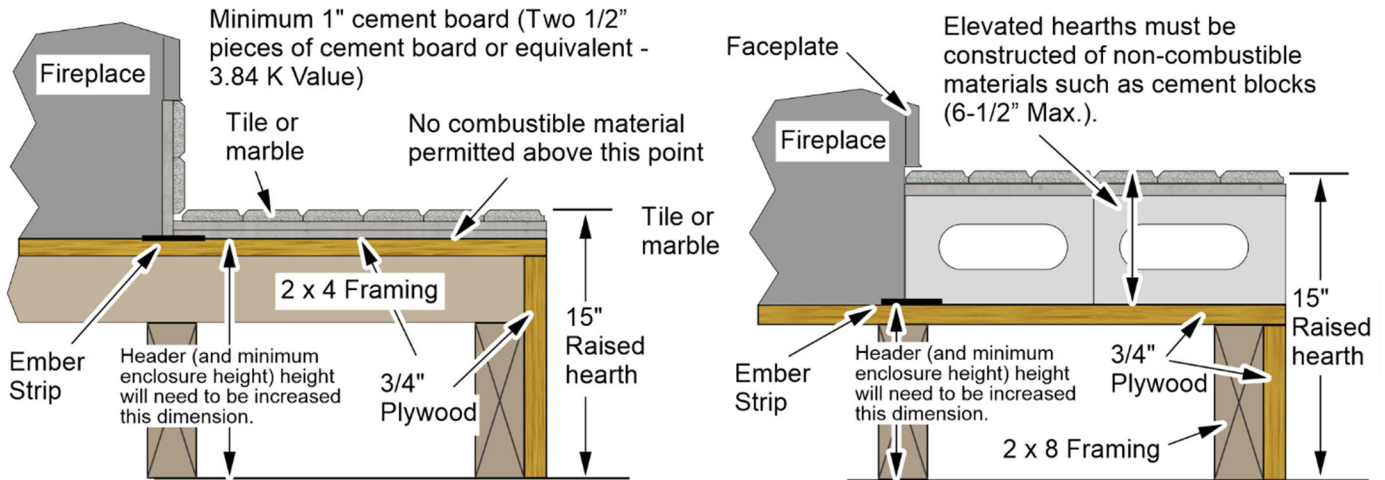
Bend both standoffs as shown below. Remove the screw from the top of the fireplace. Form and secure the standoff as shown below.

**Clearances**

- The fireplace uses 1/2" standoffs on the back and sides and 4" stand-offs on the top to space the fireplace away from framing members or walls. These stand-offs may contact the framing members or walls but do not place insulation or other material in the space between the stand-offs and the fireplace.
- When installed, walls in front of the fireplace must be a minimum 18" to the side of the faceplate (15-1/2" from the side of the fireplace).
- The fireplace should be located such that no doors, drapes, furniture, or other combustibles can be placed close or swing closer than the minimum 36" clearance. Due to the high heat output of this fireplace, choose a location away from high traffic areas.
- The fireplace must be placed so the vents below and above the glass do not become blocked.

Raised Fireplaces

- If the fireplace is raised, the fireplace enclosure must be raised as well (minimum 81" enclosure height from the base of the fireplace (see below).
- The fireplace (and hearth, if desired) may be placed on a platform designed to support the fireplace and vent (approximately 600 lbs.). (See below).

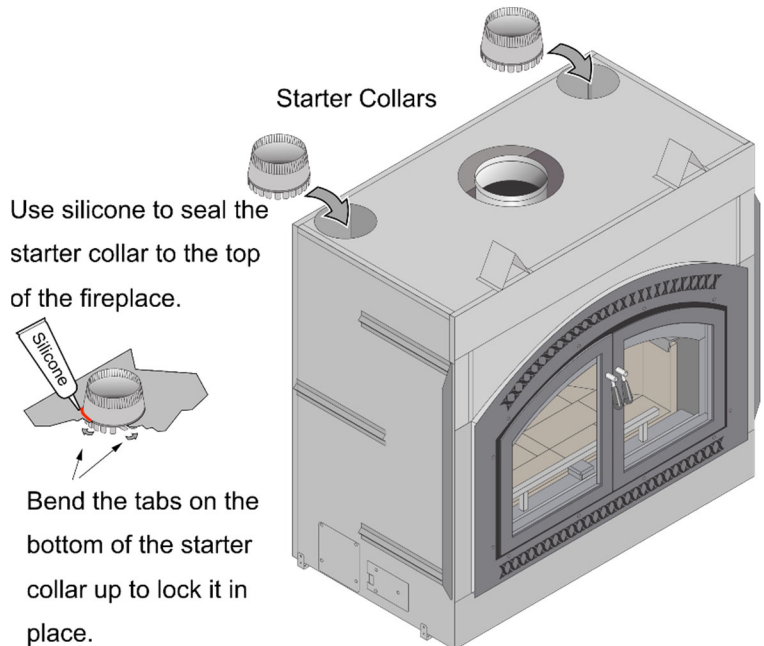


Cooling Vent Requirements

WARNING: The cooling vents provide cooling air for the fireplace and chimney system. Failure to correctly install the cooling vents will lead to an extremely dangerous installation and possibly a fire.

- The two cooling vents must be installed so as to route air from the outside to the two starter collars on the top rear corners of the fireplace. Secure the vents to the collars using high-temperature aluminum tape and/or sheet metal screws.
- Included with the fireplace are two 10' lengths of flexible duct and two starter collars. Use a connector and seal if adding more duct length.
- Attach and seal both starter collars to the fireplace as shown to the right.
- A maximum of two 90° bends may be used on each vent. However, if a 180° bend is placed directly above the starter collar, one additional 90° bend may be used (see illustration below).
- The maximum distance for the cooling ducts is listed below:

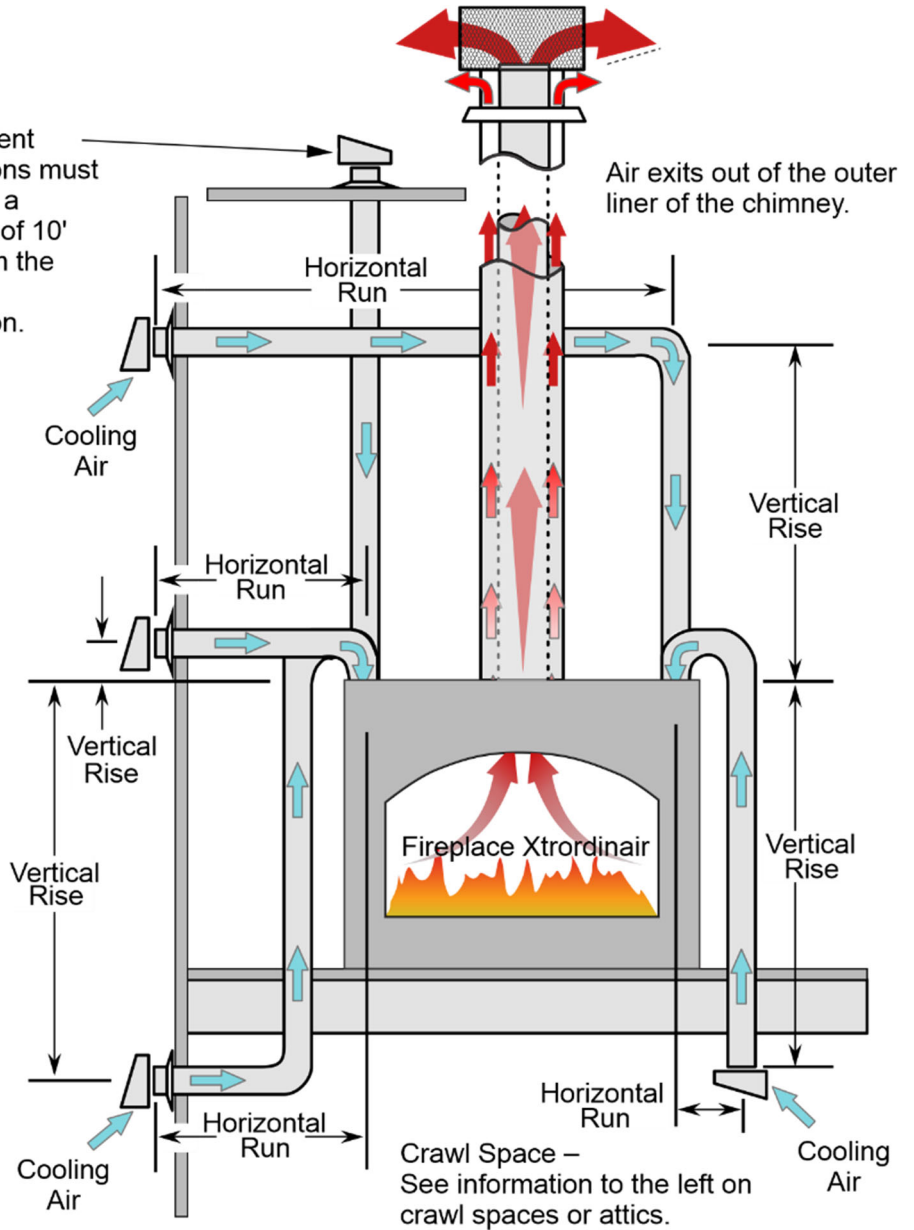
| When the vertical rise is between: | The maximum horizontal run may be: |
|------------------------------------|------------------------------------|
| 6' and 10' (max) | 5' |
| 3' and 6' | 15' |
| 1' and 3' | 20' |
| 0' and 1' | 25' |



Cooling Vent Requirements Cont.

- Included with the fireplace is a set of storm collars and vent hoods. Place the collars around the vent on the exterior and attach them with screws or caulking to seal the wall from the vent penetration. Place the hood, with the open portion facing down, over the cooling vents and secure it.
- The cooling air duct terminations may be installed to draw air from a ventilated crawl space or attic if approved by local building codes. **NOTE:** certain codes require a fire curtain damper in these cases.
- The duct terminations must be located so they can not be blocked (e.g. snow drifts). The duct terminations must be flashed and sealed to meet local building code requirements.

Cooling vent terminations must terminate a minimum of 10' away from the chimney termination.



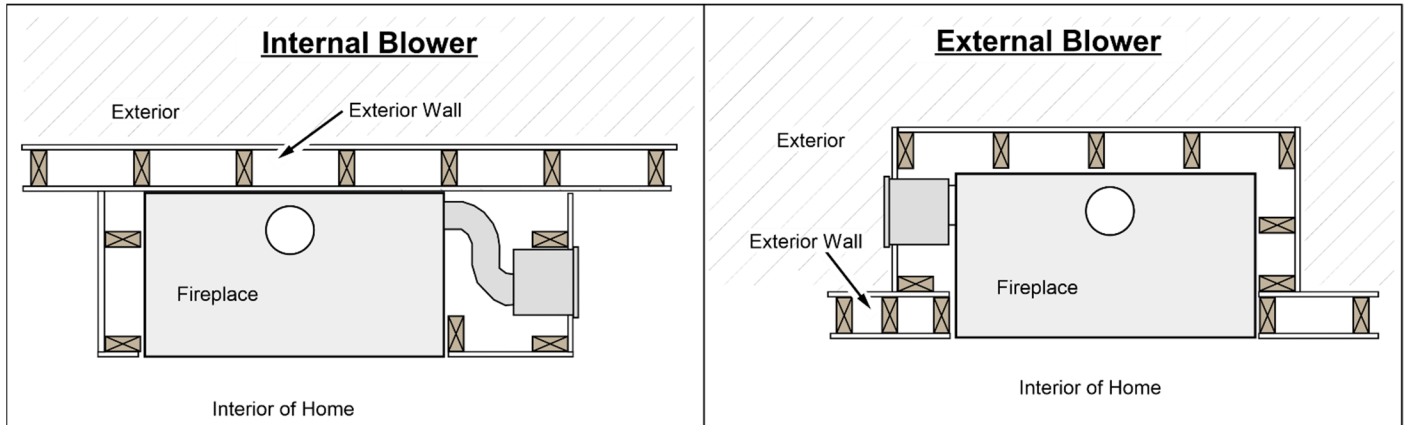
Blower Requirements

The required blower pushes air through the blower duct to the fireplace, where it is heated and distributed into the room.

Blower Duct Routing

- The blower may be located to draw air from the interior or exterior of the home.

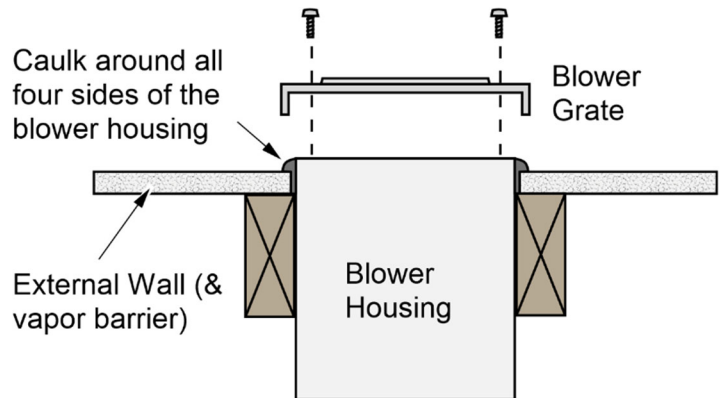
NOTE: For cold environments, it must be located on the interior (see page 9).



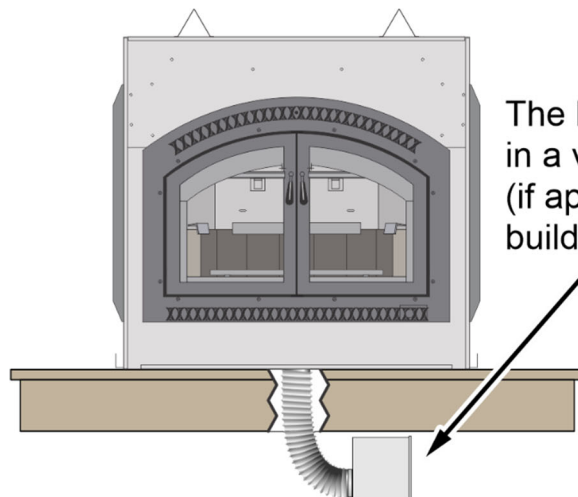
- The maximum length for 6" diameter blower duct is 15' (use the included duct & start collar).
- The maximum length for 8" diameter blower duct is 25' (use two 6" to 8" adapters).

NOTE: The shorter the blower duct, the greater the airflow.

- A maximum of two 90° bends may be used.
- The blower, if located on an external wall, must be weatherproofed (see right). Remove the blower cover and install the blower. Apply caulk around the perimeter of the blower housing where it contacts the external wall and vapor barrier (apply sparingly). Replace the blower grate.

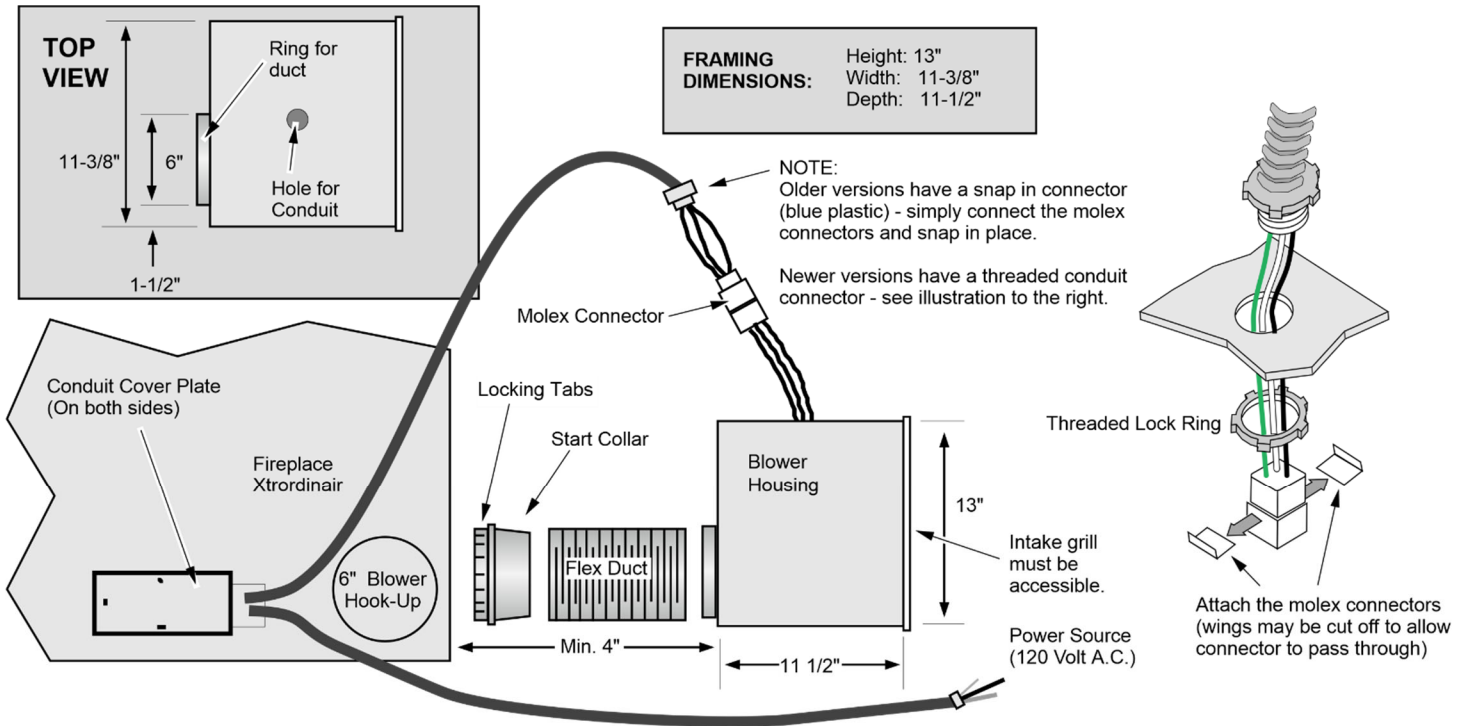


- The blower may be installed to draw air from a crawl space or attic if approved by local building codes (see right).
NOTE: certain codes require a fire curtain in these cases.
- Do not draw air from confined areas or from a garage or area containing fumes or emissions. The blower inlet must be a minimum of 36" below any exhaust vent.

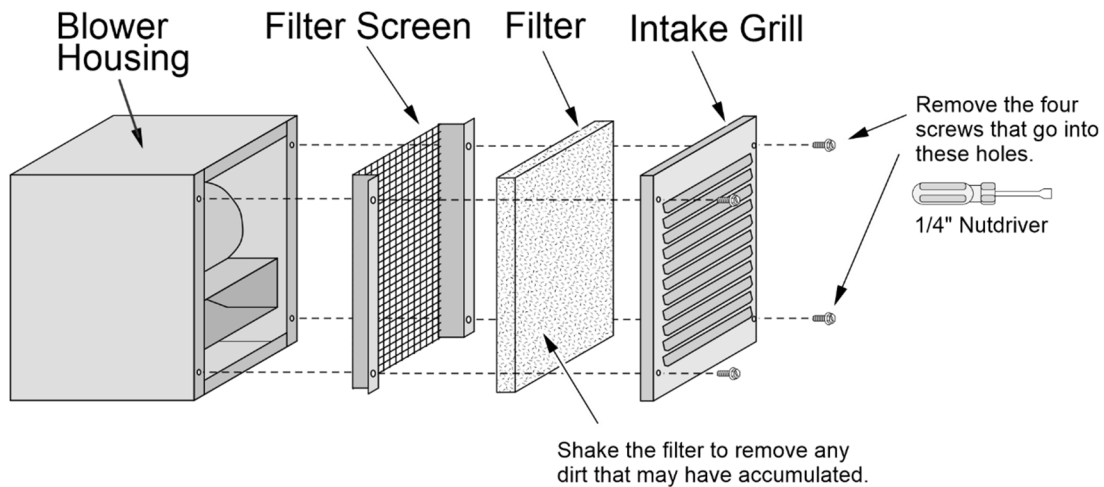


Blower Duct Connection

- Connect the blower duct to the right, left, or bottom of the fireplace.
- **Using the Right or Left Side Blower Duct Connection**
Remove the side cover plate. Insert the starter section into the uncovered hole and bend the locking tabs outwards, locking the starter section in place (see below).
- **Using the Bottom Blower Duct Connection**
Remove the cover plate and pass-through plate on the bottom of the fireplace (both are held in place with the same 4 screws). Remove the 8-1/2" by 6-1/4" air deflector (flapper) above the cover plate and secure the starter section to the 6" diameter hole above the air deflector (bend the locking tabs outwards, locking the starter section in place (see below). Replace the pass-through plate with the 4 screws removed earlier (the pass-through plate has a 6-1/2" diameter hole for the duct).



- Use duct tape and/or screws to attach the flex duct to the starter collar and blower box.
- The blower utilizes a filter that requires periodic cleaning (see below). Show the homeowner the blower location and inform them of the need to clean periodically.



Blower Electrical Connection

- Connect the electrical supply lead conduit to a 120 Volt, 60 Hz (2 Amp) electrical supply. Use a junction box to protect the electrical connection.
- Connect the blower conduit to the blower box by attaching the two Molex connectors together. Insert the Molex connectors into the blower box. Then attach the conduit to the blower box by inserting it into the top until it snaps in place.
- Do not run either conduit over the top of the fireplace or within 2" of the chimney
- If the blower or power supply is located to the left, the electrical conduit(s) may be directed to the left side of the fireplace. To do this, remove the conduit cover plate on both sides of the fireplace. Feed the conduit(s) through the hole on the right side and out the left side (removing the cover allows the conduit to be fed through without kinking). Switch the cover plates by attaching the right cover plate to the left side and vice-versa.

Chimney Requirements

Approved Chimney

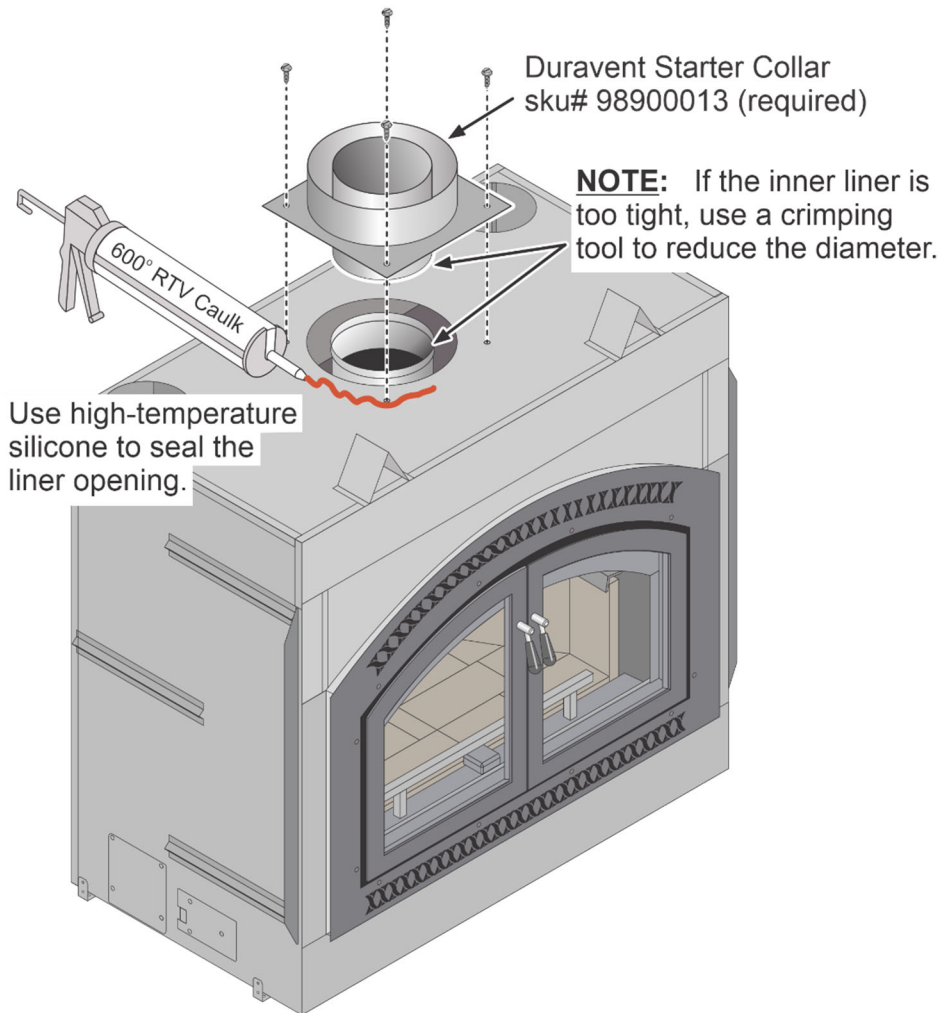
- Use one of the following brands and series of chimneys:
 - DuraVent 8" x 12" (**preferred** – sold through Travis Ind. – see part numbers below)
 - Temco 82 - Firecraft FTF8 (Superior TF8) - Superior/Astria/IHP 8DM - Marco 8D
- The entire chimney system must be installed to meet all local requirements as well as those requirements listed by the chimney manufacturer. Depending on the manufacturer and where the chimney is to be installed, chimney supports, roof braces, radiation shields, attic insulation shields, attic enclosures, spark arrestors, locking bands, etc... may be required as part of the chimney system. The manufacturer's installation instructions, which are reviewed by the listing agency, specify when and where each of these components must be used. Follow the manufacturer's instructions for the use of flashing and an adjustable storm collar at the roof line to prevent water from entering the house. Manufacturers require that chimneys extending beyond a certain height above the roof (frequently above 5') must be braced.

DuraVent Part Numbers (available through Travis Ind.)

| Chimney Components | Part # |
|---|---------------|
| Starter Collar (REQUIRED) | 98900013 |
| 48" Chimney Section | 98900001 |
| 36" Chimney Section | 98900002 |
| 24" Chimney Section | 98900003 |
| 18" Chimney Section | 98900004 |
| 12" Chimney Section | 98900005 |
| 30° Offsets / Elbows (Qty 2) | 98900006 |
| Firestop (90°) | 98900007 |
| Firestop (30° - for angled sections) | 98900008 |
| Storm Collar | 98900009 |
| Round Termination Cap | 98900010 |
| Flashing 0-6/12 (for flat roofs up to 6/12 pitch - 26.5°) | 98900011 |
| Flashing 7-12/12 (for roofs 6/12 pitch to 12/12 – 26.5° to 45°) | 98900012 |
| Attic Insulation Shield | 98900015 |

Chimney Installation –DuraVent (preferred)

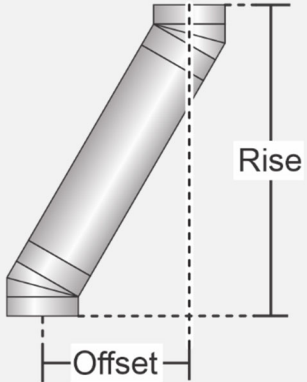
- DuraVent chimney requires a starter collar. Attach the starter collar to the top of the fireplace with four sheet-metal screws (see below). If the inner pipe is too tight, use a crimping tool to adjust the pipe diameter. Seal the outer sections of the pipe with high-temperature silicone.



Chimney Offset Chart (DuraVent)

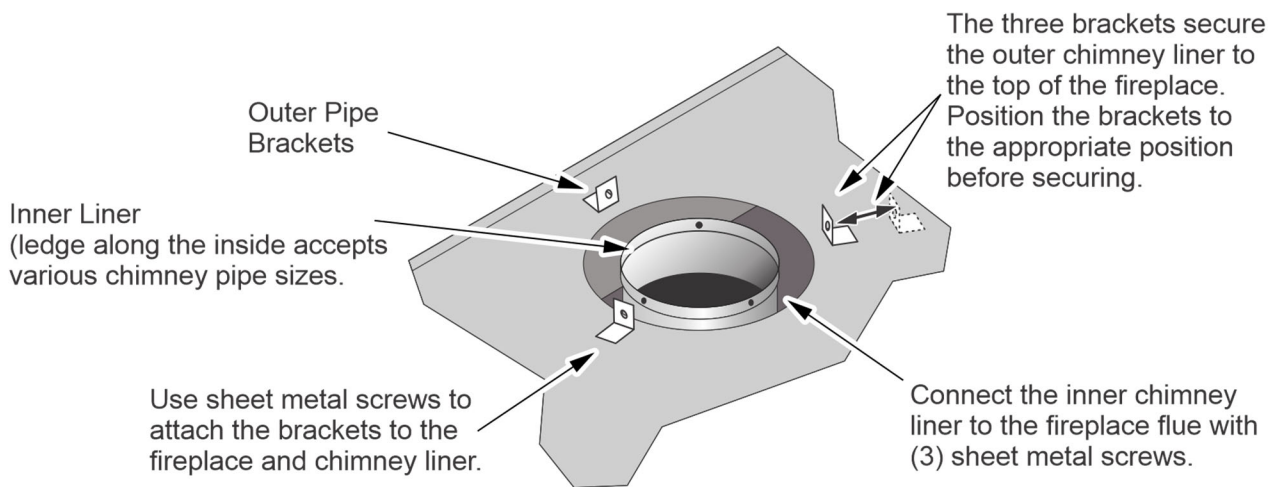
Use the chart below to determine offset dimensions (measured in inches).

| Inclined Pipe Length(s) | Offset | Rise |
|-------------------------|---------|---------|
| 0 | 4" | 16-3/8" |
| 12" | 9-1/4" | 25-1/2" |
| 18" | 12-1/4" | 30-3/4" |
| 24" | 15-1/4" | 36" |
| 36" | 21-1/4" | 46-1/4" |
| 48" | 27-1/4" | 56-3/4" |
| 48" + 12" | 32-1/2" | 65-3/4" |
| 48" + 18" | 35-1/2" | 71" |
| 48" + 24" | 38-1/2" | 76-1/8" |
| 48" + 36" | 44-1/2" | 86-1/2" |
| 48" + 48" | 50-1/2" | 97" |



Chimney Installation – Non- DuraVent

- Secure the inner and outer chimney liner to the fireplace (See below).

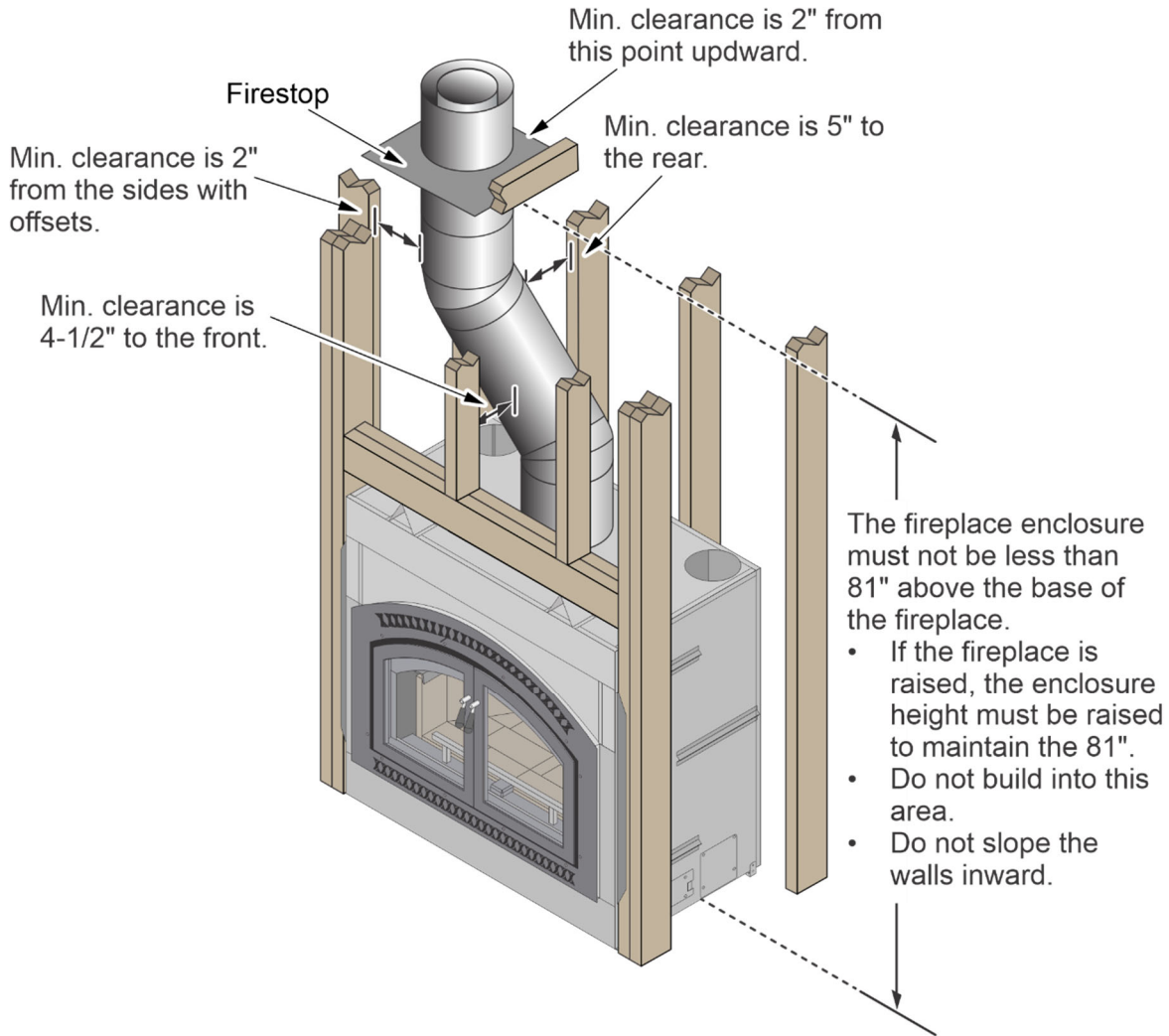


- When attaching the chimney to the fireplace, first slide down the inner liner of the chimney pipe into the inner liner of the fireplace. Certain brands of chimney pipe will stop at the ledge, while others will insert beyond the ledge. When the chimney pipe is fully seated and aligned, secure the fireplace to the chimney pipe with three sheet metal screws. Install the outer chimney liner. Once it is properly aligned, secure using three sheet metal screws. Seal the outer chimney liner with high-temperature silicone.

Chimney Clearances to Combustibles

WARNING: Follow the clearances listed below - do not follow the clearances listed in the chimney instructions

- Maintain a 2" clearance from the chimney to combustibles (measured horizontally) (See below).
- Use offsets, if necessary, to maintain clearances
- In the area above the fireplace before the chimney penetrates the ceiling (use a firestop), the chimney must maintain the clearances listed below:
 - 5" to the rear of the chimney
 - 4-1/2" to the front of the chimney



CHIMNEY WARNING LABELS

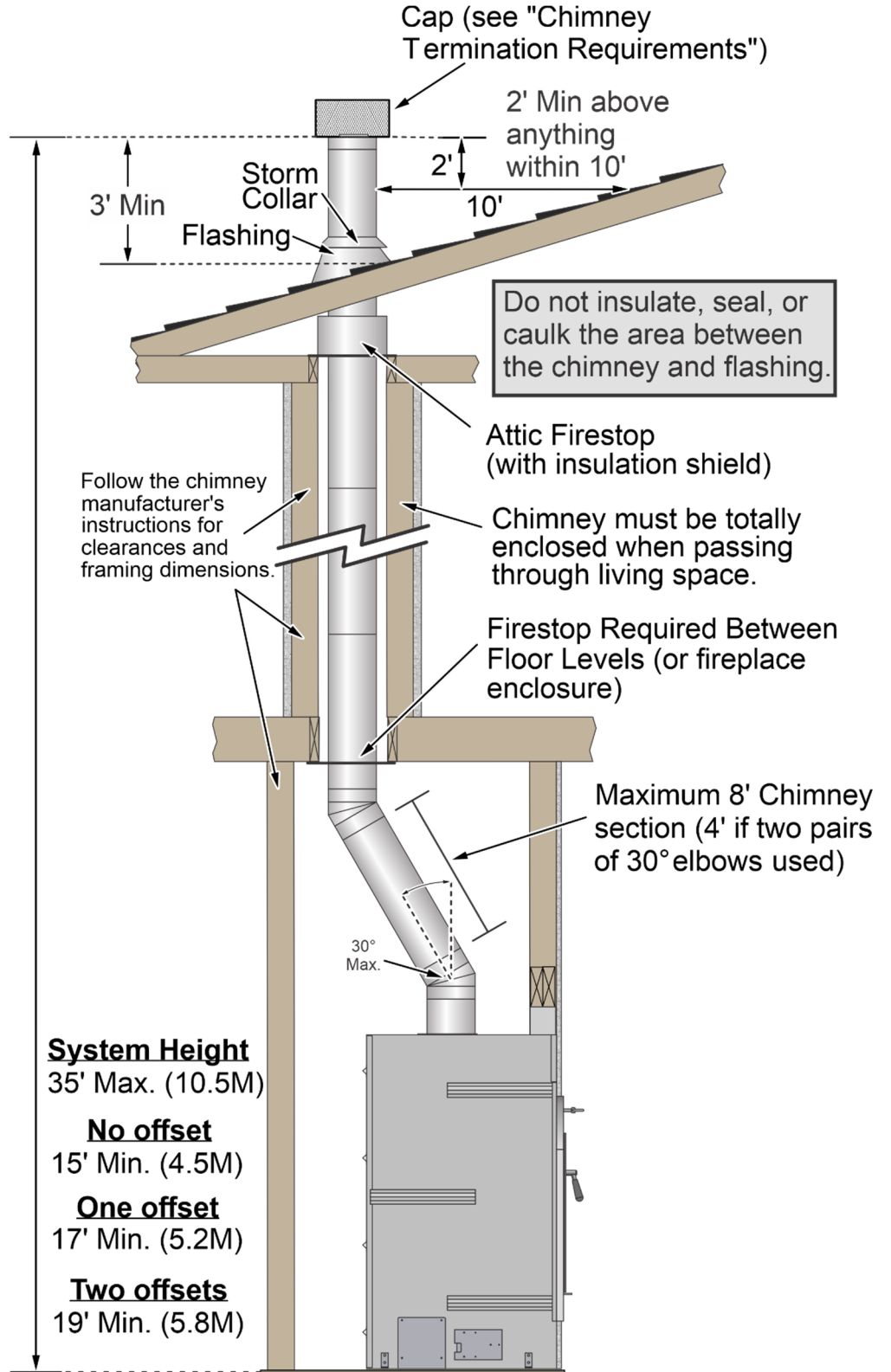
The new U.L. 127-2015 standard requires warning labels (shown below) to be attached to chimney sections that are not visible from living spaces or to the structure exterior after installation is complete (this is not required for older fireplaces). Labels must be applied every five feet to all exposed chimney sections in attics, crawl spaces, and similar areas. The label must wrap around the chimney circumference. Labels are included with the chimney sections.

| | | | | | | | | | | |
|---|---|---|---|---|---|---|---|---|---|---|
| WARNING | WARNING | WARNING | WARNING | WARNING | WARNING | WARNING | WARNING | WARNING | WARNING | WARNING |
| HOT | HOT | HOT | HOT | HOT | HOT | HOT | HOT | HOT | HOT | HOT |
| • Fire Risk • Insulation and combustibles must not touch pipe • Consult manual for clearance requirements • Ensure proper connection | • Fire Risk • Insulation and combustibles must not touch pipe • Consult manual for clearance requirements • Ensure proper connection | • Fire Risk • Insulation and combustibles must not touch pipe • Consult manual for clearance requirements • Ensure proper connection | • Fire Risk • Insulation and combustibles must not touch pipe • Consult manual for clearance requirements • Ensure proper connection | • Fire Risk • Insulation and combustibles must not touch pipe • Consult manual for clearance requirements • Ensure proper connection | • Fire Risk • Insulation and combustibles must not touch pipe • Consult manual for clearance requirements • Ensure proper connection | • Fire Risk • Insulation and combustibles must not touch pipe • Consult manual for clearance requirements • Ensure proper connection | • Fire Risk • Insulation and combustibles must not touch pipe • Consult manual for clearance requirements • Ensure proper connection | • Fire Risk • Insulation and combustibles must not touch pipe • Consult manual for clearance requirements • Ensure proper connection | • Fire Risk • Insulation and combustibles must not touch pipe • Consult manual for clearance requirements • Ensure proper connection | • Fire Risk • Insulation and combustibles must not touch pipe • Consult manual for clearance requirements • Ensure proper connection |

Chimney Height

- Minimum 15' system height (measured from the base of the fireplace)
- Maximum 35' system height (measured from the base of the fireplace)

NOTE: In some problematic situations, additional chimney height above the specified minimum may be necessary to reduce wind-induced down drafting and back puffing, or to increase draft, thereby improving fireplace operating characteristics.



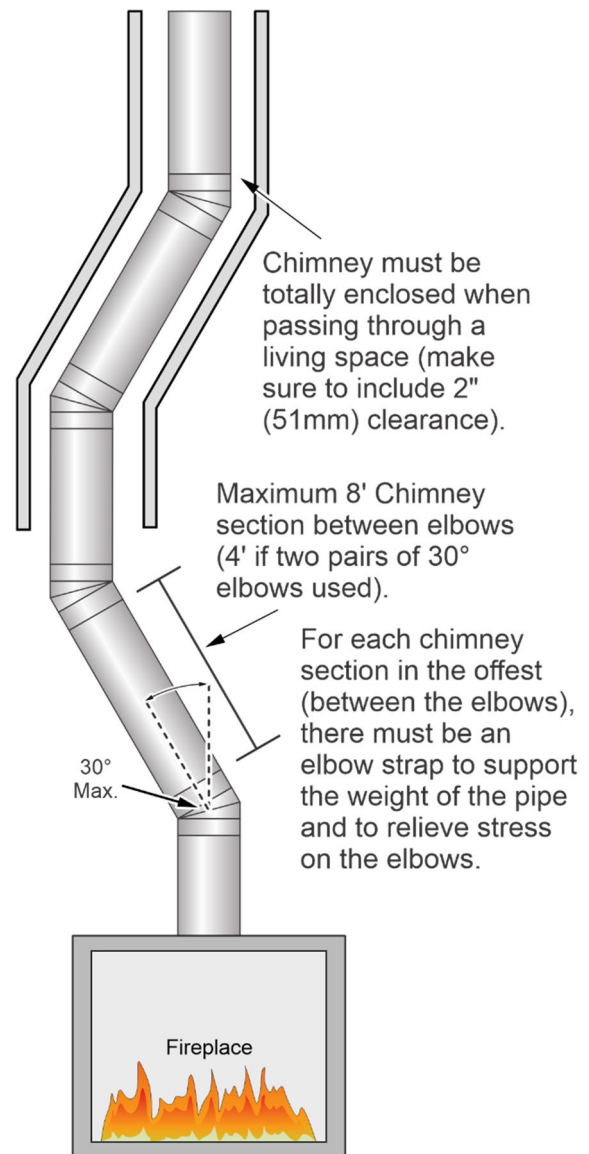
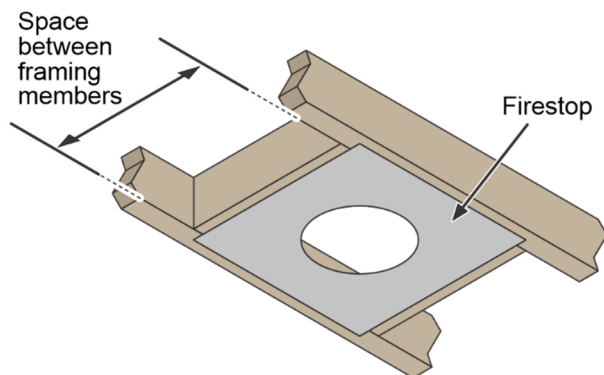
Offset Requirements (30° Elbows)

- Offsets (using a pair of 30° elbows) may be used to redirect the chimney. Typically, this is done to avoid structures, align the pipe with framing, or to gain clearance to combustibles (see illustration).
- A maximum of four 30° elbows may be used.
- Each elbow must be used in conjunction with a return elbow (so the chimney returns to a vertical direction)
- If using a single offset (two 30° elbows) a maximum of 8' of inclined chimney may be used between elbows.
- If using two offsets (four 30° elbows) a maximum of 4' of inclined chimney may be used between each set of elbows.
- For every 6' of inclined chimney a flue support is required
- Elbows may be used directly off the top of the fireplace (maintain a 5" clearance to combustibles on the back wall, 4 1/2" minimum on the front wall and header, and 2" minimum to the side walls)

Firestops

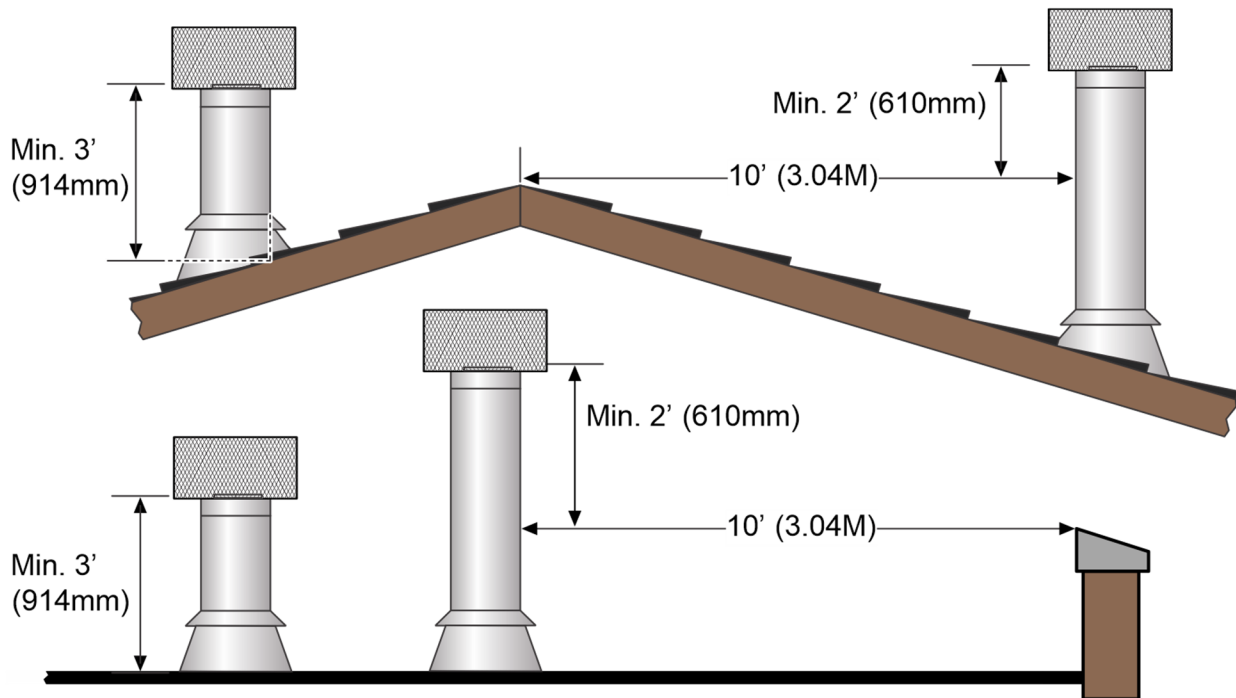
WARNING: Many firestops are designed for a 1" clearance; this fireplace requires a 2" clearance.

- Whenever the chimney penetrates a floor or ceiling a firestop is required on the bottom side of the floor joists (see right).
- When passing through an attic the firestop must be placed on the attic side of the joists
- When the chimney passes through a living space it must be totally enclosed (maintain the minimum 2" clearance to combustibles)
- The space between frames that hold the firestop in place should be measured as follows:
 - Simpson DuraVent – 16"
 - Temco 16"
 - Firecraft 16 1/2"
 - Superior/Astria/IHP 16 1/2"
 - Marco 16 1/2"

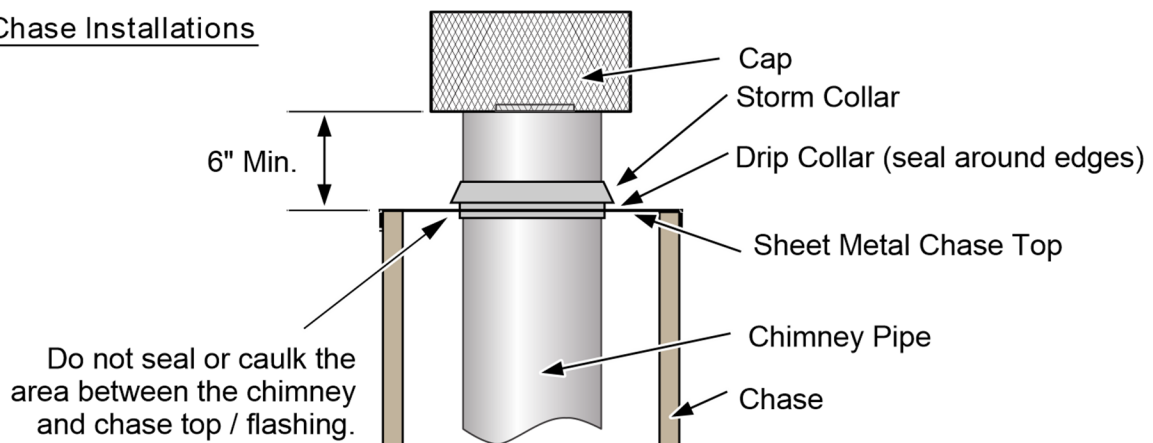


Chimney Termination Requirements

- The chimney must terminate a minimum of 3' above the roof and 2' above any portion within 10' (measured horizontally – see below. This applies to flat and sloped roofs).
- The chimney must have a chimney cap. A spark arrestor may be required in your area (check with the local building department).
- When using a chase to enclose a chimney, the chimney termination is not required to be 3' above the chase as long as the chase is above the roof structure. The chimney cap must still maintain the 2, 3, and 10 clearance to any other structure. See the illustration below.
- Chimneys extending beyond a certain height (frequently 5') above the roof may require braces (check the instructions included with the chimney for details)



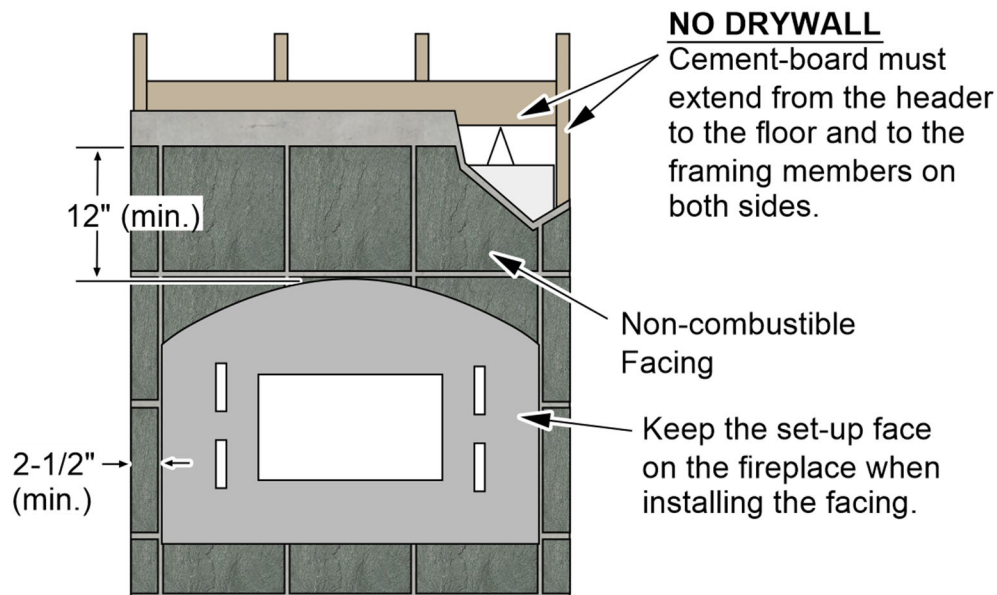
Chase Installations



Facing Requirements

NOTE: Artisan faces vary in size. If the facing is over 1" thick (brick, river-rock, etc.) use the artisan face to create a template.

- The fireplace is shipped with a set-up face that is 1/8" taller and wider than the finished faceplate. This creates a 1/16" gap around the perimeter of the face when the finished face is installed. Leave the set-up face in place to act as a template when installing the facing.
- The fireplace requires a 1/2" thick concrete board or other non-combustible to extend from the header to the base of the fireplace and to the framing members on both sides (do not use sheetrock or drywall). See below.
- The non-combustible facing must extend a minimum of 12" above and 2-1/2" to each side of the faceplate.
- The non-combustible facing must be a minimum of 1" thick
- Attach the cement board to the front of the fireplace with screws. Do not penetrate the fireplace more than 3/4".

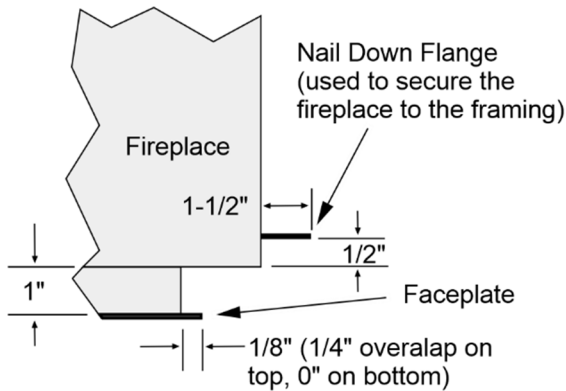


Facing Requirements (continued)

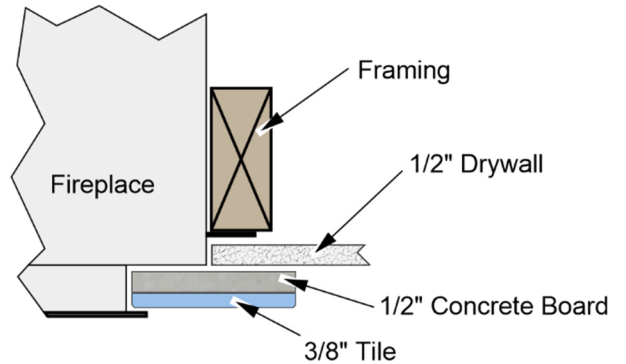
- Facing may be installed so it inserts behind the faceplate (see below). NOTE: the faceplate protrudes 1" from the front of the fireplace, has a 1/8" overlap on the sides, and a 1/4" overlap on top.
- The combustible area above the facing must not protrude more than 3/4" from the facing. If it does, it is considered a mantel and must meet the mantel requirements listed in this manual.
- To achieve a facing that is flush with the drywall to the side of the fireplace, recess the framing directly next to the fireplace (see below).

TOP VIEW

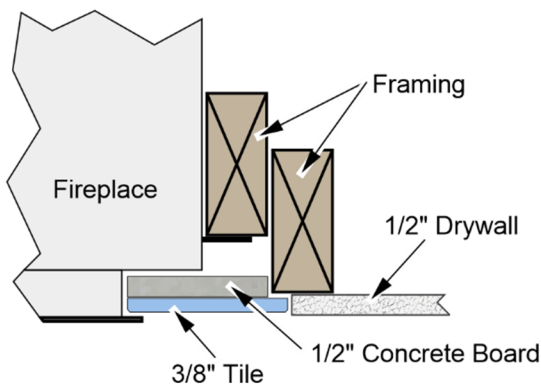
(cross section of fireplace, framing, and face)



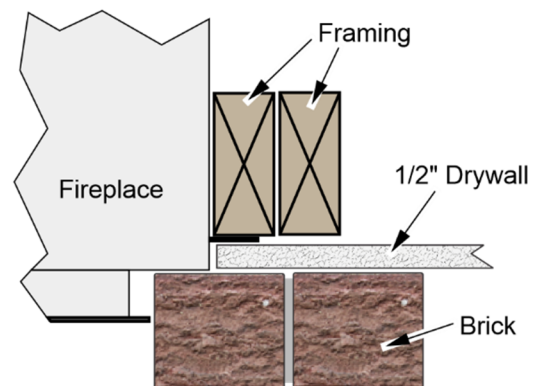
Overlapped Facing



Flush Facing



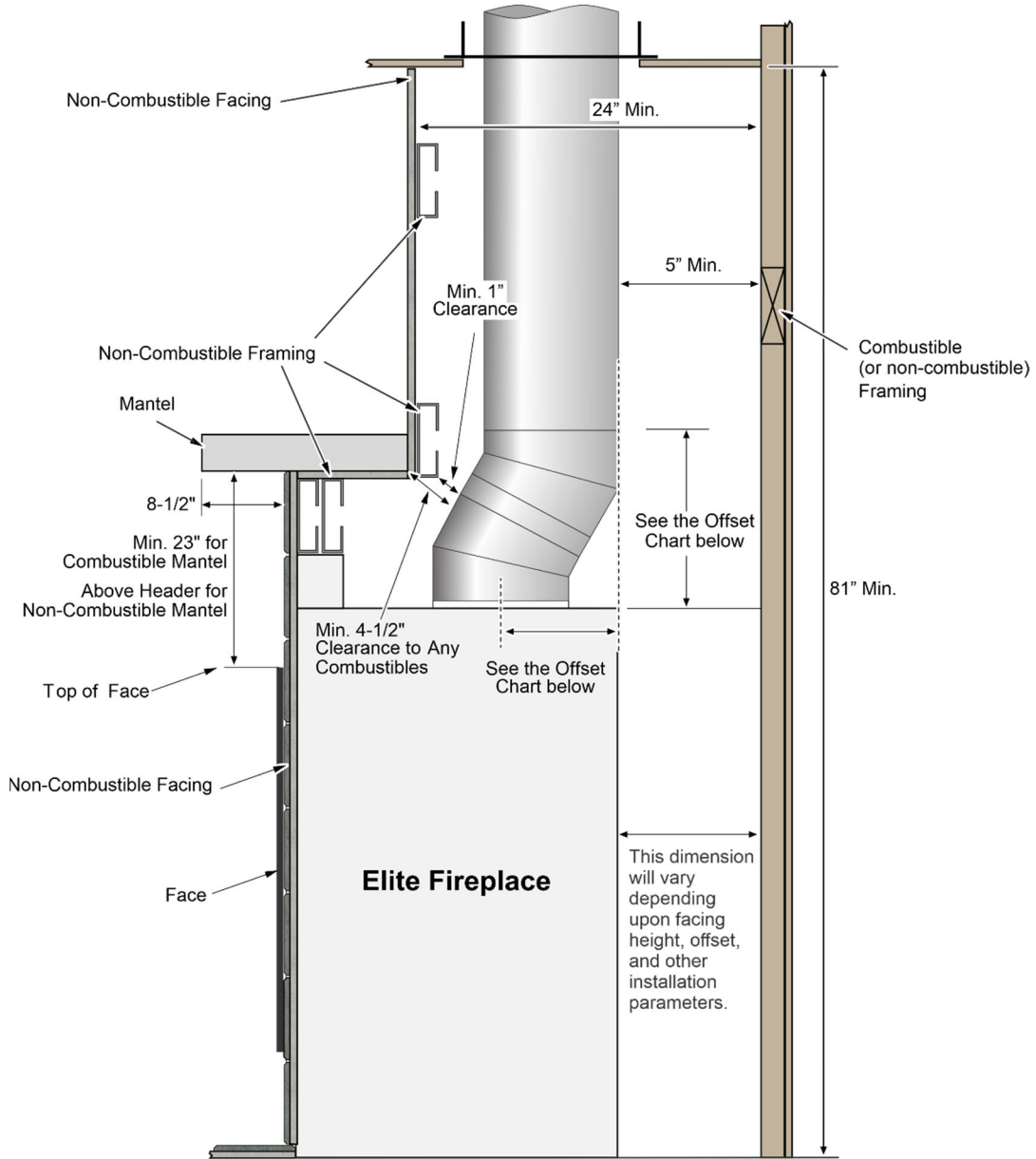
Brick Facing



Using Non-Combustible Facing/Framing with a Recessed Enclosure

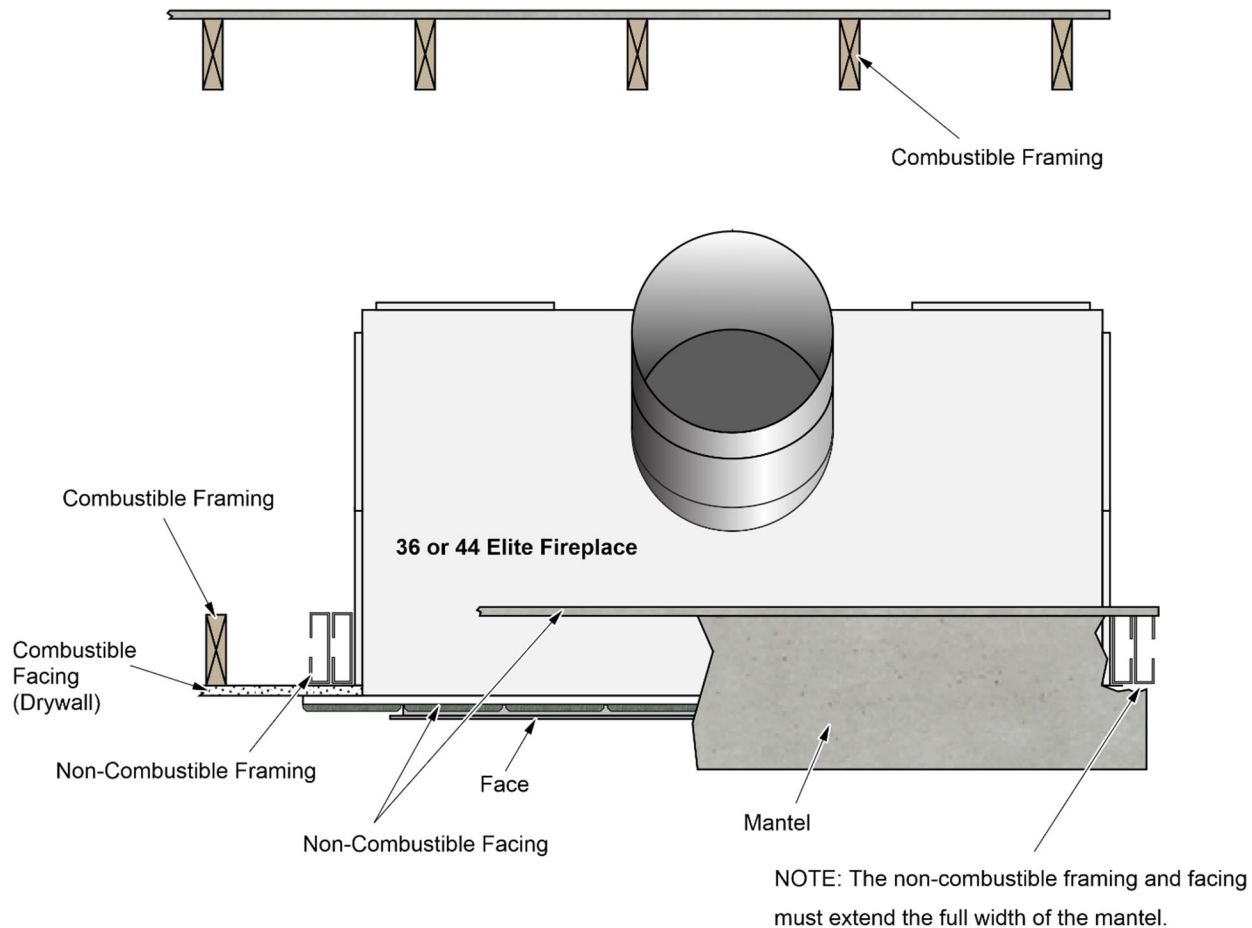
This fireplace may be installed with non-combustible facing (and framing) into a recessed enclosure to allow for additional options for the mantel. The following diagram below and on the following page detail the requirements.

Side View



OFFSET CHART

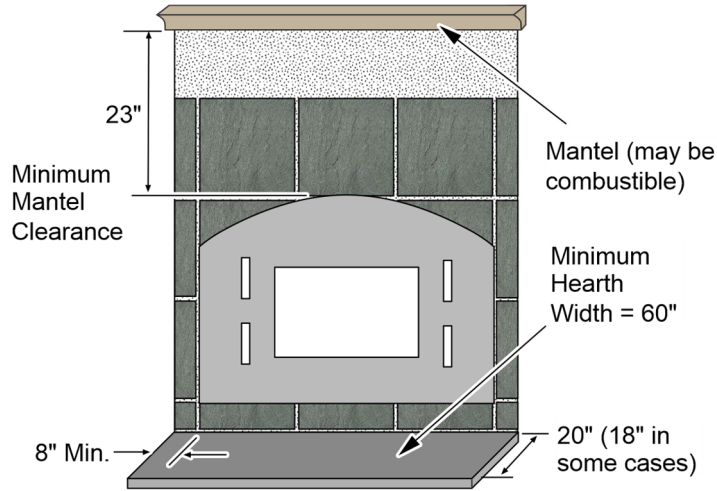
| | DuraVent Pipe | |
|--|-------------------|---------------|
| | Horizontal Offset | Vertical Rise |
| 2 Offsets | 4" | 16-3/8" |
| 2 Offsets & one 12" Section | 9-1/4" | 25-1/2" |

Using Non-Combustible Facing/Framing with a Recessed Enclosure (cont.)**Top View****Requirements**

- The framing above the fireplace and directly to the sides of the fireplace, extending the full width of the mantel, from the floor to the ceiling (min. 81"), must be non-combustible (i.e., metal studs).
- The facing material in front and above the fireplace, from the floor to the ceiling (min. 81") and extending to the sides of the fireplace and mantel, must be non-combustible.
- The fireplace enclosure above the fireplace must be a minimum of 24" deep and extend the full width of the fireplace up to the ceiling (min. 81").

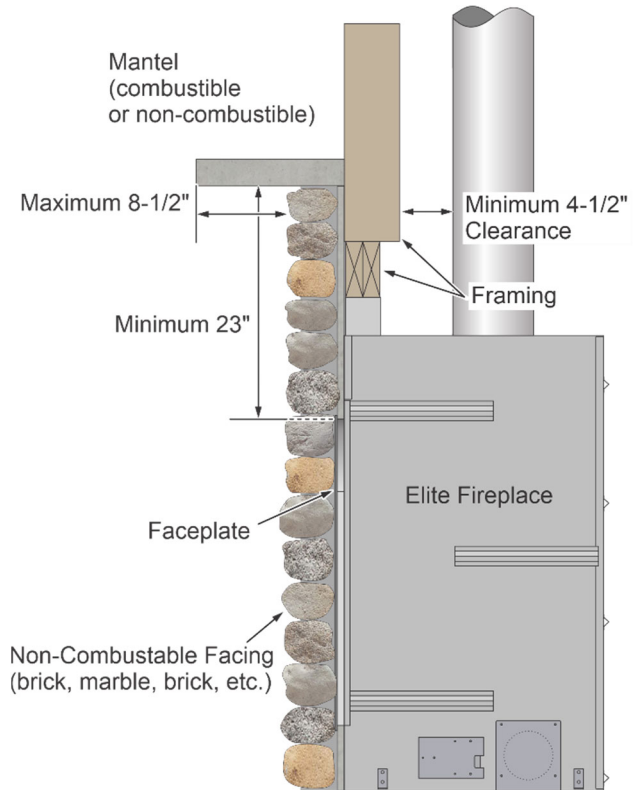
Mantel Requirements

- The optional mantel must be a minimum of 23" above the top of the faceplate (61" above the base). See below.
- The mantel must not extend more than 8-1/2" in front of the faceplate.
- Mantel side columns that extend more than 3/4" beyond the faceplate must maintain an 18" clearance to the faceplate.



Mantel Depth When Using Thick Facing

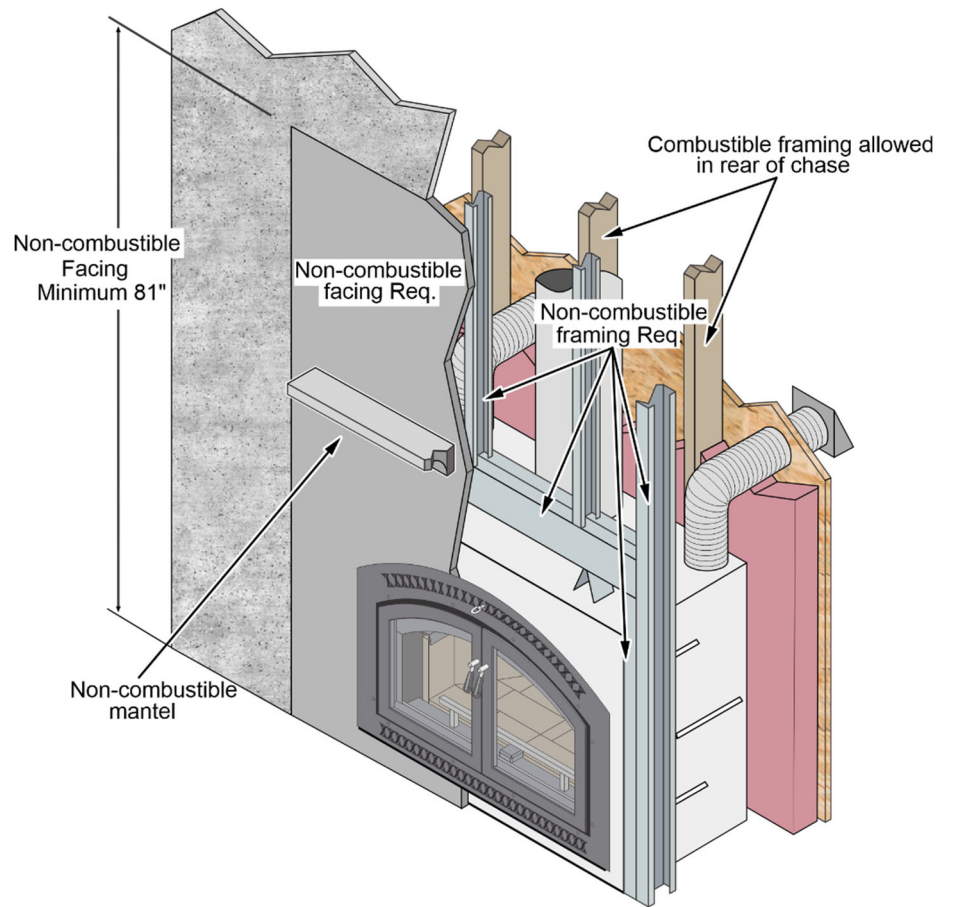
- This fireplace may be installed with non-combustible facing thicker than 1". This places the facing in a location forward of the faceplate. The maximum mantel depth (8-1/2") may be measured from the front of the facing material (facing material must be a uniform thickness).



Non-Combustible Mantels

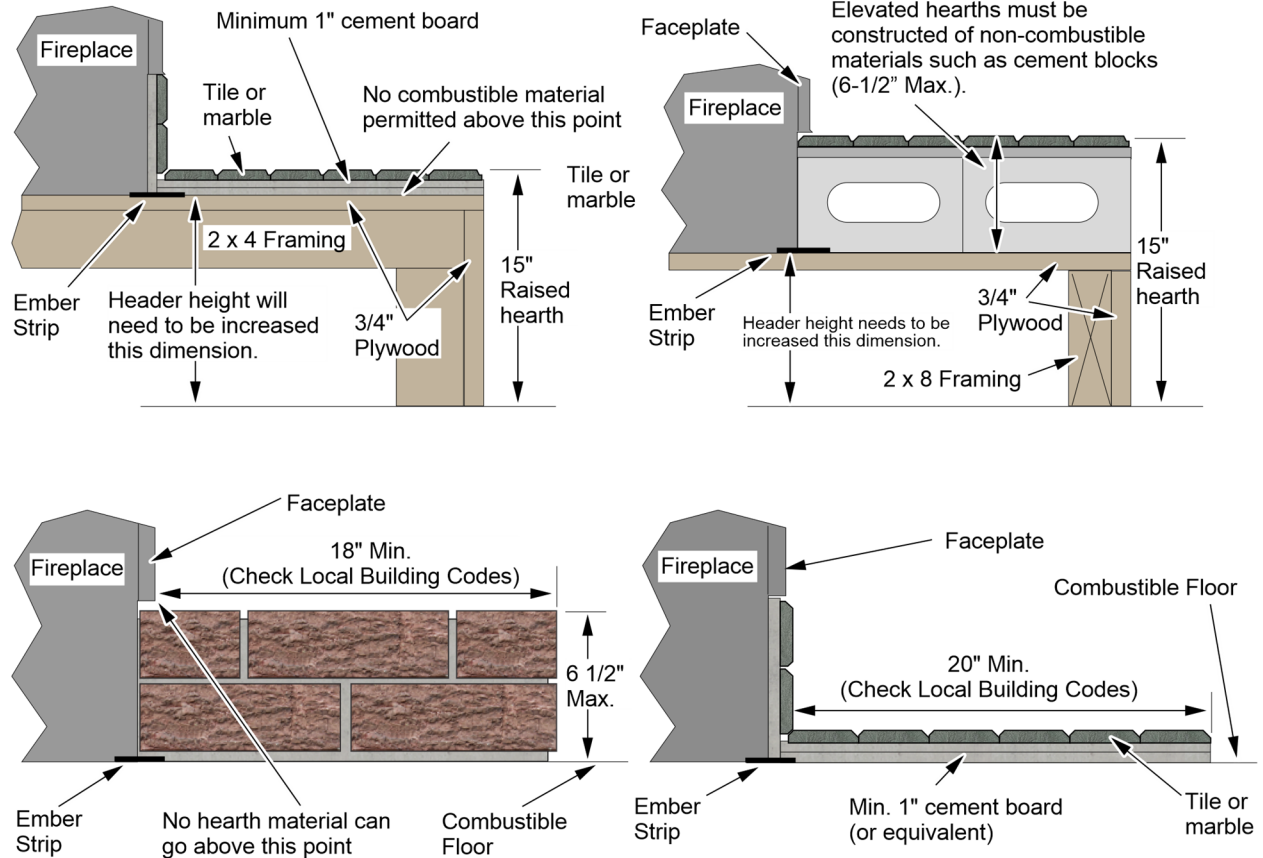
- Non-combustible mantels do not have a minimum height.
- Non-combustible mantels do not have a maximum depth.
- Do not attach the mantel to the front of the fireplace, the outer layer is not strong enough to support the mantel.
- If installing a non-combustible mantel lower than the requirements for a combustible mantel (see above). The framing, sheeting, and facing must be non-combustible to a minimum height of 81" from the base of the fireplace and minimum width of the mantel or 2-1/2" to each side of the face, whichever is larger.

NOTE: You can remove the fireplace header standoffs and install the non-combustible header directly above the fireplace if framing is needed to support the weight of the mantel. **You are not allowed to remove the standoffs for any other reason.**



Hearth Requirements

- Local building codes may require a minimum hearth requirement different from what this manual states
- The hearth must extend 20" in front of the faceplate when it is not elevated (see local building codes). Hearths raised 6-1/2" must extend a minimum of 18".
- The hearth must extend a minimum of 8" to both sides of the faceplate (60" wide)
- The hearth must be a minimum of 1" thick of cement board (or equivalent material) with an R-value of 0.78. Multiple cement boards may be stacked to meet the required R-value of 0.78. For example, two half-inch boards each with an R-value of 0.39 can be stacked together to meet the 0.78.
- The hearth must not rise more than 6-1/2" above the base of the fireplace



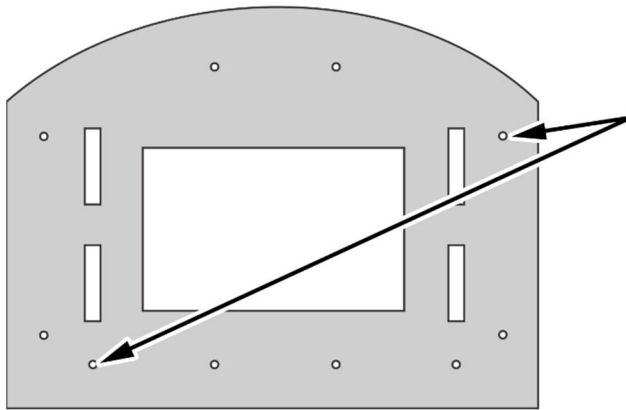
Finalizing the Installation

ACID WASH WARNING Before installing the faceplate, make sure any masonry that has been treated with acid wash has been properly neutralized (this is used primarily with brick faces). Acid wash (muriatic acid) is used to remove excess mortar. If not properly neutralized with an ammonia solution, the gold face may develop a permanent tarnish when the acid evaporates over time.

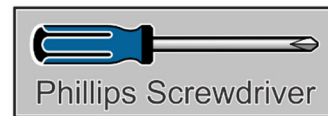
WOOD SCRAP WARNING Never burn wood scraps in the fireplace. Treated wood breaks down the catalyst inside the fireplace, decreasing efficiency, and increasing emissions.

Remove Set-Up Face

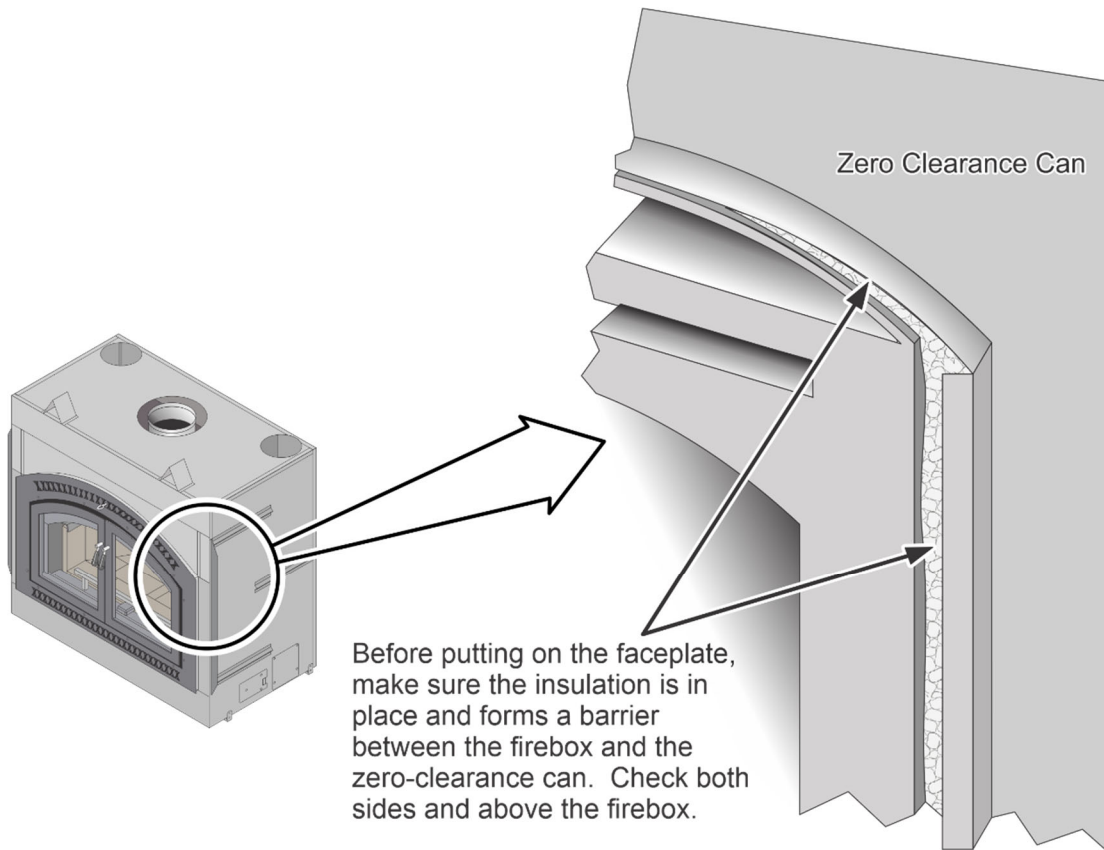
- Remove the set-up face using a Phillips screwdriver.



Use a phillips screwdriver to remove the 10 screws holding the set-up face in place.



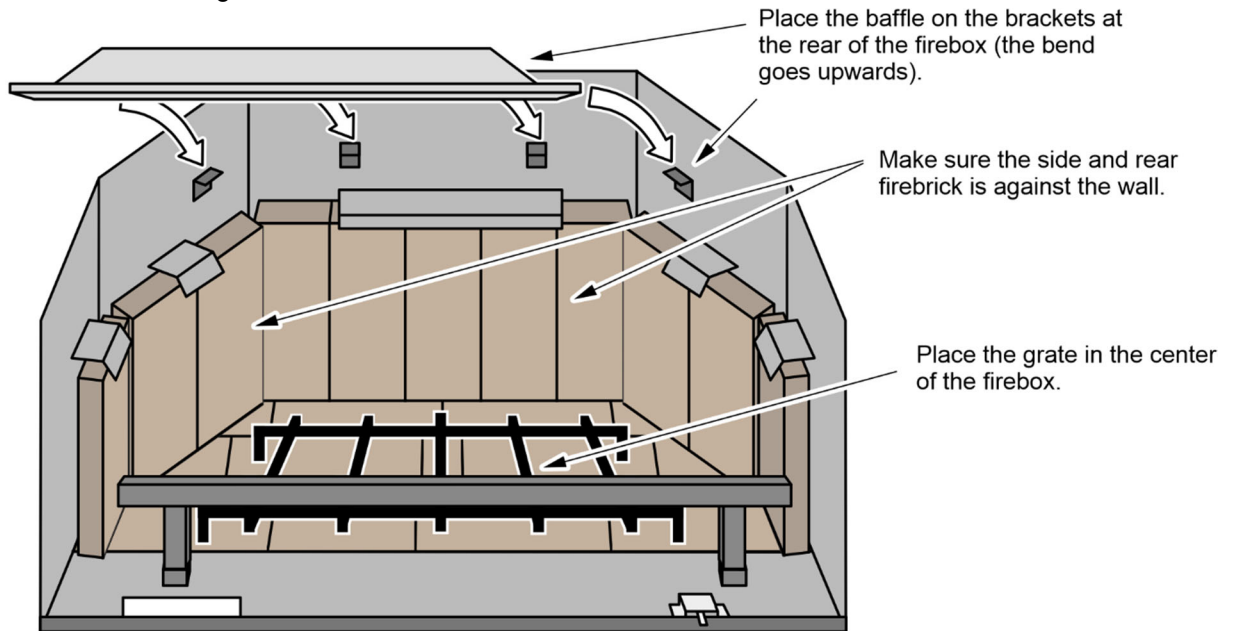
- Make sure the insulation between the firebox and fireplace can is still in place.



Before putting on the faceplate, make sure the insulation is in place and forms a barrier between the firebox and the zero-clearance can. Check both sides and above the firebox.

Prepare the Firebox

- Make sure the firebrick is properly in place (see below).
- Install the log retainer using the included 1/8" Allen wrench.
- Install the baffle and grate.



Listing Information



DO NOT REMOVE THIS LABEL

CONTACT LOCAL BUILDING OR FIRE OFFICIALS ABOUT INSTALLATION AND RESTRICTIONS IN YOUR AREA.
LISTED FACTORY-BUILT FIREPLACE

Tested and Listed by  Portland Oregon USA

OMNI-Test Laboratories, Inc.
Report No. 0028WF061S, 0028WF136E
Certified for USA

MODEL:
44 Elite
NexGen-Hybrid

SERIAL NO:

CERTIFIED TO UL STD 127-2015

This wood heater contains a catalytic combustor, where both need periodic inspection and replacement for proper operation. Consult the owner's manual for further information. It is against federal regulations to operate this wood heater in a manner inconsistent with operating instructions in the owner's manual, or if the catalytic element is deactivated or removed. **CAUTION:** the combustor used in this appliance (part no. 250-00556) is fragile and must be handled carefully. Burning of metal foils, plastic, garbage, sulphur and diesel oil will render the catalyst in the combustor inactive. The performance and durability of the catalytic combustor has not been evaluated as part of the certification. Do not use a fireplace insert or other products not specified for use with this product. This fireplace has not been tested with an unvented gas log set. To reduce the risk of fire or injury, do not install an unvented gas log set into fireplace. Fireplace must use combustion air drawn from outside the house. Use cord wood only. **DO NOT OVERFIRE UNIT.**

U.S. ENVIRONMENTAL PROTECTION AGENCY
Certified to comply with 2020 particulate emission standards using crib wood.
1.1 g/h, ASTM E2780-10, ASTM 2515-11, CSA B415.1-10

Replace glass only with 5mm neoceramic or ceramic glass.

Electrical Rating: 115V., 60 Hz, 1.1 Amps
Blower: # 98500780



Manufactured by:
TRAVIS INDUSTRIES, INC.
12521 Harbour Reach Drive
Mukilteo, WA 98275
www.travisproducts.com

DATE OF MANUFACTURE

| | | | | | | | | | | | | | | | |
|-------------------------------|-------------------------------|-------------------------------|-------------------------------|------------------------------|------------------------------|------------------------------|------------------------------|------------------------------|------------------------------|------------------------------|------------------------------|------------------------------|------------------------------|------------------------------|------------------------------|
| <input type="checkbox"/> 2022 | <input type="checkbox"/> 2023 | <input type="checkbox"/> 2024 | <input type="checkbox"/> 2025 | <input type="checkbox"/> Jan | <input type="checkbox"/> Feb | <input type="checkbox"/> Mar | <input type="checkbox"/> Apr | <input type="checkbox"/> May | <input type="checkbox"/> Jun | <input type="checkbox"/> Jul | <input type="checkbox"/> Aug | <input type="checkbox"/> Sep | <input type="checkbox"/> Oct | <input type="checkbox"/> Nov | <input type="checkbox"/> Dec |
|-------------------------------|-------------------------------|-------------------------------|-------------------------------|------------------------------|------------------------------|------------------------------|------------------------------|------------------------------|------------------------------|------------------------------|------------------------------|------------------------------|------------------------------|------------------------------|------------------------------|

Made in U.S.A.

XXXX



44 Elite
NexGen-Hybrid

U.S. ENVIRONMENTAL PROTECTION AGENCY
Certified to comply with 2020 particulate emission standards using cord wood.
1.1 g/h, ASTM E2780-10, ASTM 2515-11, CSA B415.1-10

Serial No.

ZC-1202



This wood heater contains a catalytic combustor, where both need periodic operation. Consult the owner's manual for further information. It is against wood heater in a manner inconsistent with operating instructions in the element is deactivated or removed. See installation and operating instructions for this model. Use cord wood only.



inspection and replacement for proper federal regulations to operate this owner's manual, or if the catalytic

MANUFACTURE DATE:

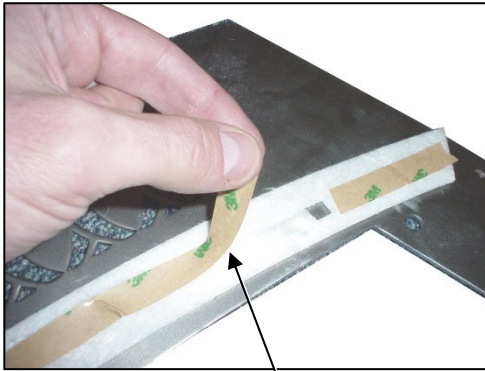
| | | | | |
|-------------------------------|------------------------------|------------------------------|------------------------------|------------------------------|
| <input type="checkbox"/> 2022 | <input type="checkbox"/> JAN | <input type="checkbox"/> APR | <input type="checkbox"/> JUL | <input type="checkbox"/> OCT |
| <input type="checkbox"/> 2023 | <input type="checkbox"/> FEB | <input type="checkbox"/> MAY | <input type="checkbox"/> AUG | <input type="checkbox"/> NOV |
| <input type="checkbox"/> 2024 | <input type="checkbox"/> MAR | <input type="checkbox"/> JUN | <input type="checkbox"/> SEP | <input type="checkbox"/> DEC |

XXXX

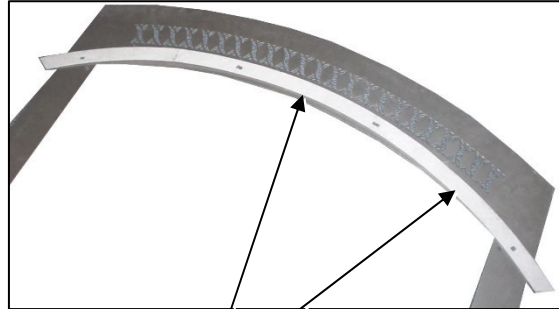
Manufactured By: TRAVIS INDUSTRIES, INC.
12521 Harbour Reach Drive, Mukilteo, WA 98275

Install the Faceplate Insulation

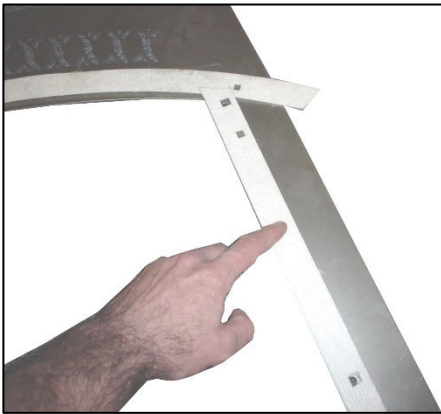
Attach the faceplate insulation (included with the fireplace) to the back of the face (see the illustrations below).



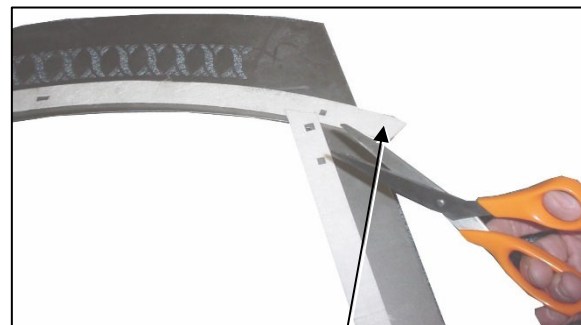
Peel the backing off the double-backed tape on the top (arched) piece of gasket. Make sure to leave the tape attached to the gasket (use a knife if necessary).



Attach the gasket onto the back of the face (note how the holes on the gasket line up with the holes on the face). The 36 is pictured – the 44 installs in a similar fashion.

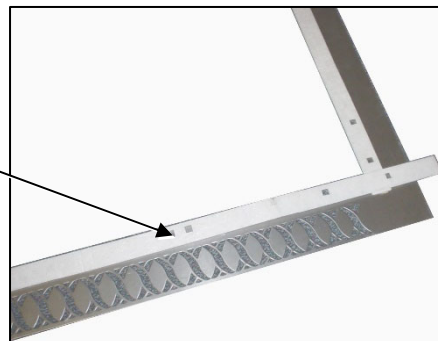


Attach the side gaskets in the same fashion, making sure the holes in the gasket line up with the holes on the face.



On the 36 you will need to trim the excess gasket on the upper corners (the 44 does not require trimming).


Attach the lower gasket in the same fashion, making sure the holes in the gasket line up with the holes on the face.

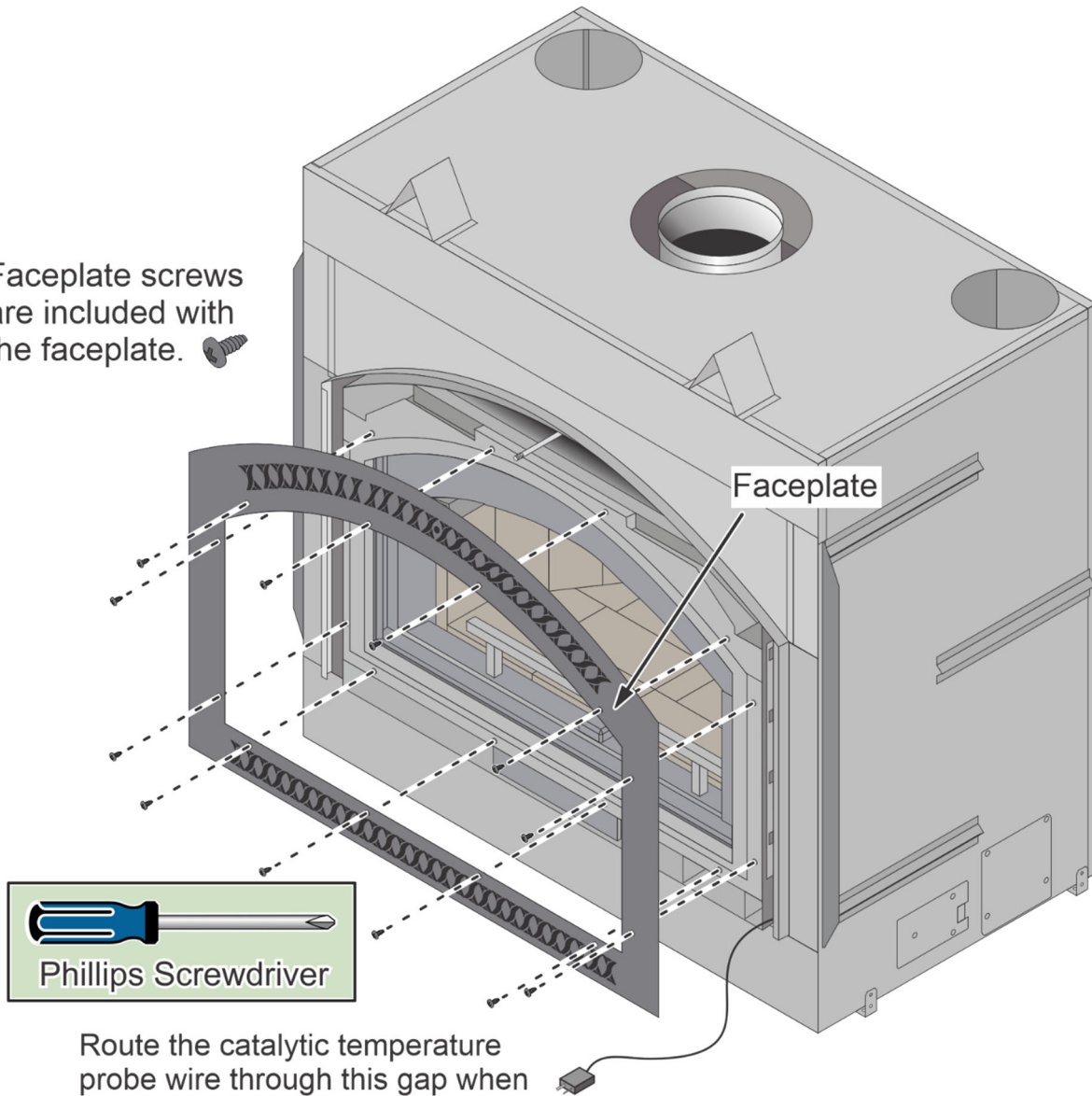


On the 36 you will need to trim the excess gasket on the lower corners (the 44 does not require trimming).

Faceplate Installation

- The faceplate is packaged with faceplate attachment screws. Use a Phillips screwdriver to attach the faceplate (see below).
- **NOTE:** do not pinch any of the wires in the lower right between the faceplate and the fireplace.

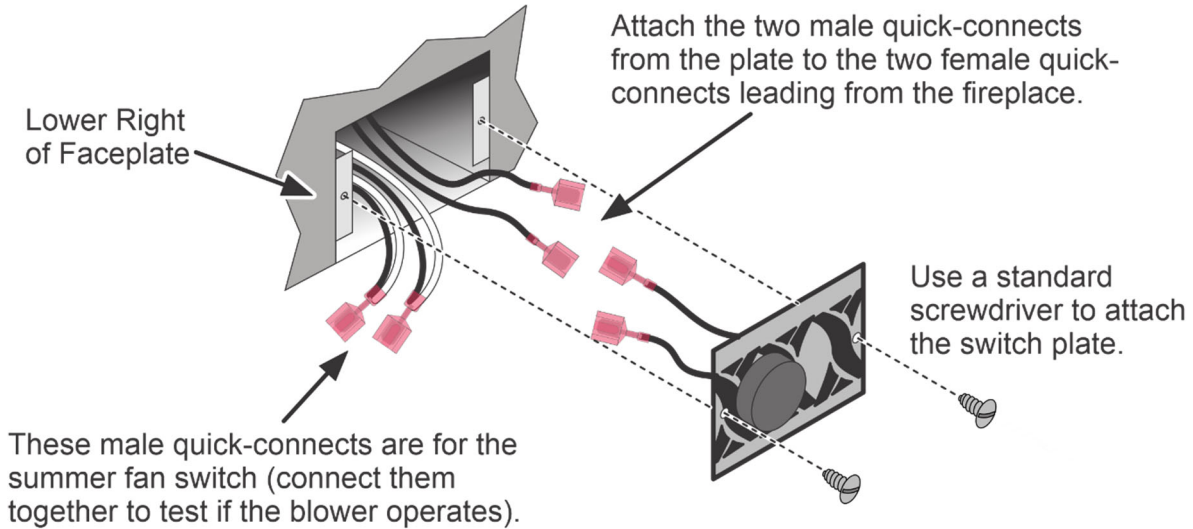
Faceplate screws are included with the faceplate. 



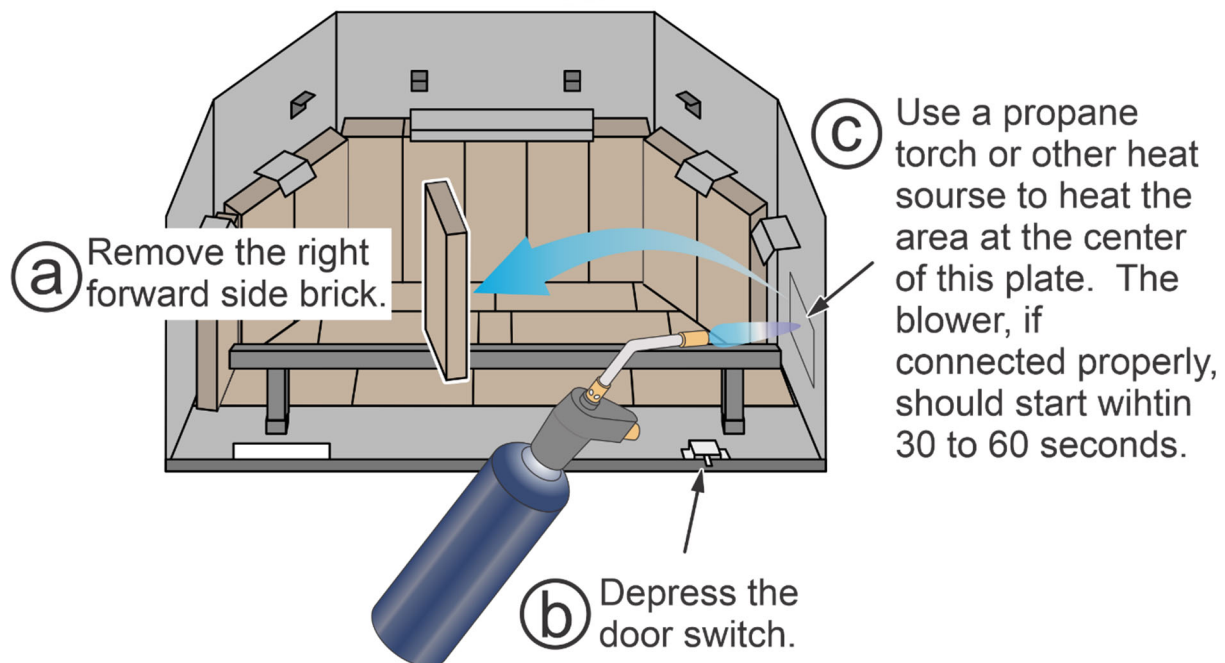
Route the catalytic temperature probe wire through this gap when installing the face. Make sure it is routed downward and does not become pinched or damaged.

Switch plate Installation and Blower Check

- Attach the two male quick-connects from the switch plate to the two female quick-connects leading from the fireplace (see below). If the optional summer fan switch is being used, connect the other two quick connects, otherwise tuck the two male quick connects leading from the fireplace into the cavity behind the faceplate. Attach the switch plate to the faceplate using a standard screwdriver (NOTE: the attachment screws are threaded into the faceplate).



- Test the blower circuit by following the directions below.

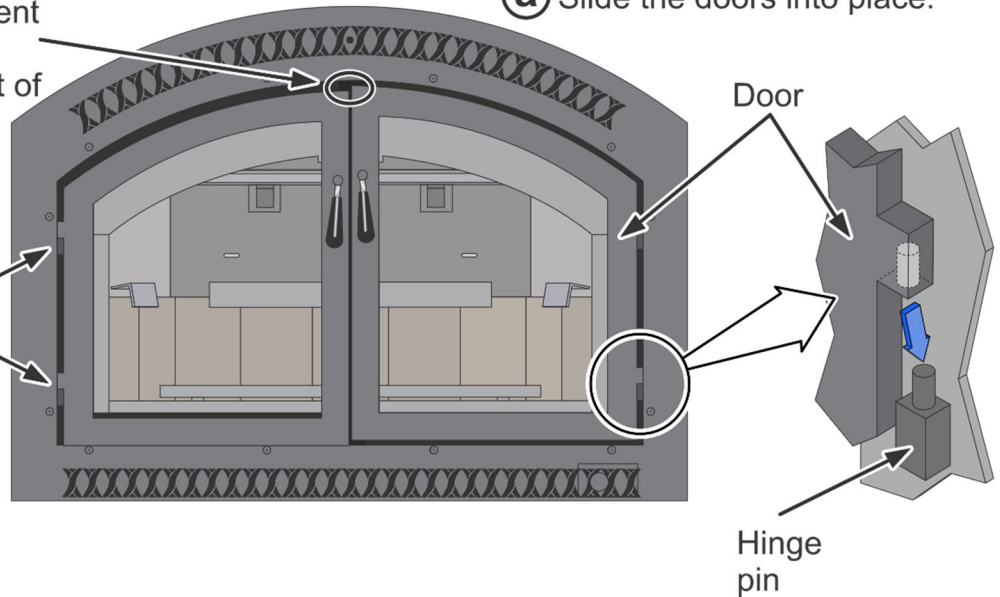


Door Installation

(b) Check the position of the doors for horizontal alignment (the doors in this illustration are out of alignment)

Add washers to the hinge pins to make the doors align horizontally

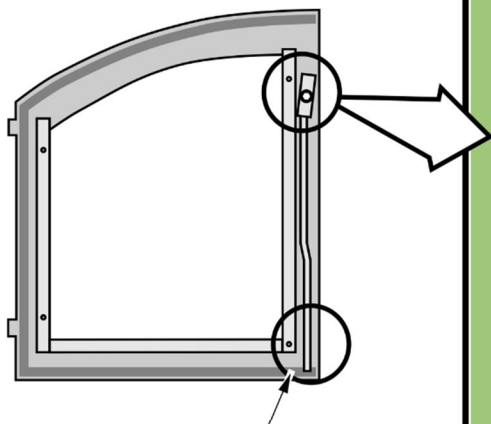
(a) Slide the doors into place.



Door Latch Adjustment

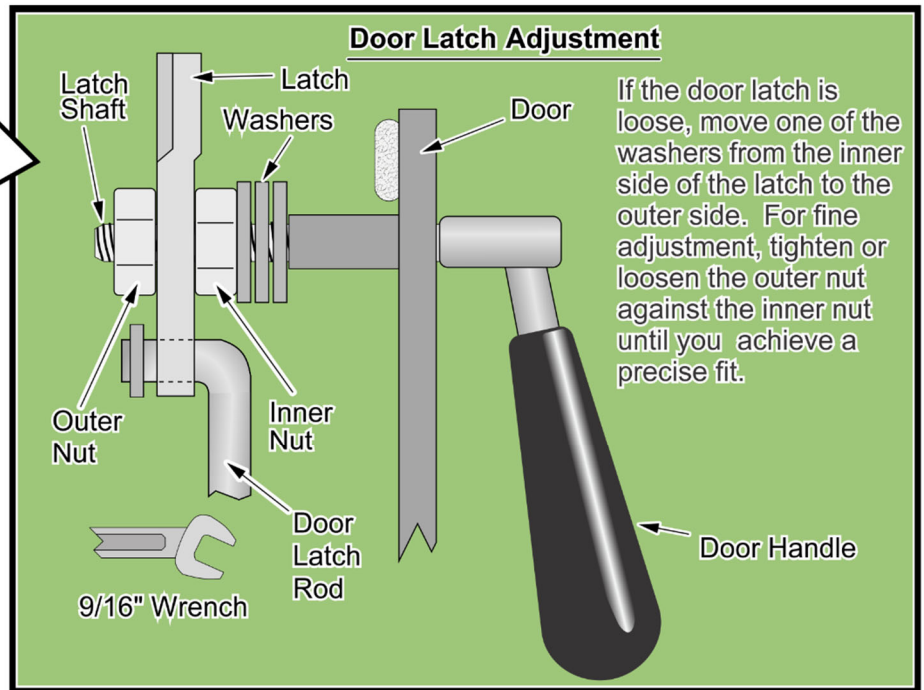
Adjust the door latch, if necessary to make a snug fit between the door gasket and the fireplace. Adjustments are made to the door latch by moving the washers from either side of the door latch and tightening the inner nut against the outer nut.

When closing the doors, the handle should pull the doors in and create a snug fit. If it doesn't check the following two items.



Door Latch Rod Adjustment

If the door latch rod does not keep the bottom of the doors snug against the firebox, bend the rod in slightly to create a tighter fit.



Register your TRAVIS INDUSTRIES, INC. Limited 7 Year Warranty online at traviswarranty.com. TRAVIS INDUSTRIES, INC. warrants this appliance (appliance is defined as the equipment manufactured by Travis Industries, Inc.) to be defect-free in material and workmanship to the original purchaser from the date of purchase as follows:

Check with your dealer in advance for any costs to you when arranging a warranty call.
Mileage or service charges are not covered by this warranty. This charge can vary from store to store.

Years 1 & 2 - COVERAGE: PARTS & LABOR

Firebox Assembly:

Firebox, Baffle Supports, Air Tubes, Air Channels, Convection Chamber

Door Assembly:

Solid Brass or Cast Door, Latch Assembly, Glass Retainers

Plated Finish

Plated Door, Legs, etc.... See "Conditions & Exclusions" #9 below.

Air Control Assembly

Slider Plate, Pressure Plate

Ceramic Glass

Glass (breakage from thermal shock)

Firebrick

Breakage from thermal shock

Accessories

Legs, Panels, Blower

Re-Installation Allowance

In cases where the heater must be removed from the home for repairs, a partial cost of re-installation is covered (pre-authorization required)

One-Way Freight Allowance

One-way freight allowance on pre-authorized repair done at the factory is covered.

Exclusions: Paint, Gasketing

Years 3 Through 5 - COVERAGE: PARTS & LABOR

Firebox Assembly:

Firebox, Baffle Supports, Air Tubes, Air Channels, Convection Chamber

Air Control Assembly

Slider Plate, Pressure Plate

Door Assembly:

Solid Brass or Cast Door, Latch Assembly, Glass Retainers

One-Way Freight Allowance

One-way freight allowance on pre-authorized repair done at the factory is covered.

Exclusions: Paint, Gasketing, Plated Finish, Accessories (Legs, Panels, Blower), Glass, Firebrick, Re-Installation Allowance

Years 6 & 7 - COVERAGE: PARTS ONLY

Firebox Assembly:

Firebox, Baffle Supports, Air Tubes, Air Channels, Convection Chamber

Door Assembly:

Solid Brass or Cast Door, Latch Assembly, Glass Retainers

Air Control Assembly

Slider Plate, Pressure Plate

Exclusions: Paint, Gasketing, Plated Finish, Accessories (Legs, Panels, Blower), Glass, Firebrick, Re-Installation Allowance, One-Way Freight Allowance, Labor

CONDITIONS & EXCLUSIONS

- This new appliance must be installed by a qualified installer. It must be installed, operated, and maintained at all times in accordance with the instructions in the Owner's Manual. Any alteration, willful abuse, accident, neglect, or misuse of the product shall nullify this warranty.
- This warranty is non-transferable and is made to the ORIGINAL purchaser, provided that the purchase was made through an authorized Travis dealer.
- Discoloration and some minor expansion, contraction, or movement of certain parts and resulting noise, is normal and not a defect and, therefore, not covered under warranty. Over-firing (operation where the steel may glow red) of this appliance can cause serious damage and will nullify this warranty.
- The warranty, as outlined within this document, does not apply to the chimney components or other non-Travis accessories used in conjunction with the installation of this product. If in doubt as to the extent of this warranty, contact your authorized Travis retailer before installation.
- Travis Industries will not be responsible for inadequate performance caused by environmental conditions such as nearby trees, buildings, rooftops, wind, hills, or mountains or negative pressure or other influences from mechanical systems such as furnaces, fans, clothes dryers, etc.
- This Warranty is void if:
 - The unit has been operated in atmospheres contaminated by chlorine, fluorine, or other damaging chemicals.
 - The unit is subject to submersion in water or prolonged periods of dampness or condensation.
 - Any damage to the unit, combustion chamber, heat exchanger, or other components due to water, or weather damage, which is the result of, but not limited to, improper chimney/venting installation.
- Exclusions to this 7 Year Warranty include: injury, loss of use, damage, failure to function due to accident, negligence, misuse, improper installation, alteration, or adjustment of the manufacturer's settings of components, lack of proper and regular maintenance, damage incurred while the appliance is in transit, alteration, or act of God.
- This 7 Year warranty excludes damage caused by normal wear and tear, such as paint discoloration or chipping, worn or torn gaskets, chipped or cracked firebrick, etc. Also excluded is damage to the unit caused by abuse, improper installation, modification of the unit, or the use of fuel other than that for which the unit is configured (use cordwood only).
- Damage to brass or plated surfaces caused by fingerprints, scratches, melted items, or other external sources left on the surfaces from the use of abrasive cleaners is not covered in this warranty. Damage to the surfaces from over-firing (operation where the steel may glow red) is not covered in this warranty.
- TRAVIS INDUSTRIES, INC. is free of liability for any damages caused by the appliance, as well as inconvenience expenses and materials. Incidental or consequential damages are not covered by this warranty. In some states, the exclusion of incidental or consequential damage may not apply.
- This warranty does not cover any loss or damage incurred by the use or removal of any component or apparatus to or from the Travis appliance without the express written permission of TRAVIS INDUSTRIES, INC. and bearing a TRAVIS INDUSTRIES, INC. label of approval.
- Any statement or representation of Travis products and their performance contained in Travis advertising, packaging literature, or printed material is not part of this 7-year warranty.
- This warranty is automatically voided if the appliance's serial number has been removed or altered in any way. If the appliance is used for commercial purposes, it is excluded from this warranty.
- No dealer, distributor, or similar person has the authority to represent or warrant Travis products beyond the terms contained within this warranty. TRAVIS INDUSTRIES, INC. assumes no liability for such warranties or representations.
- Travis Industries will not cover the cost of the removal or re-installation of hearths, facing, mantels, venting, or other components.
- If for any reason any section of this warranty is declared invalid, the balance of the warranty remains in effect and all other clauses shall remain in effect.
- This 7-year warranty is the only warranty supplied by Travis Industries, Inc., the manufacturer of the appliance. All other warranties, whether express or implied, are hereby expressly disclaimed and the purchaser's recourse is expressly limited to the warranties set forth herein.

IF WARRANTY SERVICE IS NEEDED:

- If you discover a problem that you believe is covered by this warranty, you MUST REPORT it to your Travis dealer WITHIN 30 DAYS, giving them proof of purchase, the purchase date, and the model name and serial number.
- Travis Industries has the option of either repairing or replacing the defective component.
- If your dealer is unable to repair your appliance's defect, he may process a warranty claim through TRAVIS INDUSTRIES, INC., including the name of the dealership where you purchased the appliance, a copy of your receipt showing the date of the appliance's purchase, and the serial number on your appliance. At that time, you may be asked to ship your appliance, freight charges prepaid, to TRAVIS INDUSTRIES, INC. TRAVIS INDUSTRIES, INC., at its option, will repair or replace, free of charge, your appliance if it is found to be defective in material or workmanship within the time frame stated within this 7-year warranty. TRAVIS INDUSTRIES, INC. will return your appliance, freight charges (years 1 to 5) prepaid by TRAVIS INDUSTRIES, INC., to your regional distributor, or dealership.
- Check with your dealer in advance for any costs to you when arranging a warranty call. Mileage or service charges are not covered by this warranty. This charge can vary from store to store.

Listing Label

The listing label is attached to the base of the fireplace and is viewed by removing the faceplate (see below).

DO NOT REMOVE THIS LABEL

CONTACT LOCAL BUILDING OR FIRE OFFICIALS ABOUT INSTALLATION AND RESTRICTIONS IN YOUR AREA.

LISTED FACTORY-BUILT FIREPLACE



OMNI-Test Laboratories, Inc.
Report No. 0028WF061S, 0028WF136E
Certified for USA

MODEL:
44 Elite
NexGen-Hybrid

SERIAL NO:

CERTIFIED TO UL STD 127-2015

This wood heater contains a catalytic combustor, where both need periodic inspection and replacement for proper operation. Consult the owner's manual for further information. It is against federal regulations to operate this wood heater in a manner inconsistent with operating instructions in the owner's manual, or if the catalytic element is deactivated or removed. **CAUTION:** the combustor used in this appliance (part no. 250-00556) is fragile and must be handled carefully. Burning of metal foils, plastic, garbage, sulphur and diesel oil will render the catalyst in the combustor inactive. The performance and durability of the catalytic combustor has not been evaluated as part of the certification. Do not use a fireplace insert or other products not specified for use with this product. This fireplace has not been tested with an unvented gas log set. To reduce the risk of fire or injury, do not install an unvented gas log set into fireplace. Fireplace must use combustion air drawn from outside the house. Use cord wood only. **DO NOT OVERFIRE UNIT.**

U.S. ENVIRONMENTAL PROTECTION AGENCY

Certified to comply with 2020 particulate emission standards using crib wood.

1.1 g/h, ASTM E2780-10, ASTM 2515-11, CSA B415.1-10

Replace glass only with 5mm neoceramic or ceramic glass.

Electrical Rating: 115V., 60 Hz, 1.1 Amps
Blower: # 98500780



Manufactured by:
TRAVIS INDUSTRIES, INC.
12521 Harbour Reach Drive
Mukilteo, WA 98275
www.travisproducts.com

DATE OF MANUFACTURE

| | | | | | | | | | | | | | | | |
|--------------------------|--------------------------|--------------------------|--------------------------|--------------------------|--------------------------|--------------------------|--------------------------|--------------------------|--------------------------|--------------------------|--------------------------|--------------------------|--------------------------|--------------------------|--------------------------|
| 2022 | 2023 | 2024 | 2025 | Jan | Feb | Mar | Apr | May | Jun | Jul | Aug | Sep | Oct | Nov | Dec |
| <input type="checkbox"/> | <input type="checkbox"/> | <input type="checkbox"/> | <input type="checkbox"/> | <input type="checkbox"/> | <input type="checkbox"/> | <input type="checkbox"/> | <input type="checkbox"/> | <input type="checkbox"/> | <input type="checkbox"/> | <input type="checkbox"/> | <input type="checkbox"/> | <input type="checkbox"/> | <input type="checkbox"/> | <input type="checkbox"/> | <input type="checkbox"/> |

Made in U.S.A.

XXXX

IAS (ICBO) Approval - This appliance was listed by OMNI Test Labs – IAS (ICBO) # TL-130.

| | | | |
|---|----|---|----|
| Approved Chimney..... | 19 | Heating Specifications | 5 |
| Blower Requirements..... | 17 | Important Information..... | 2 |
| Chimney Clearances to Combustibles..... | 22 | Installation Options | 5 |
| Chimney Height..... | 23 | Installation Overview..... | 8 |
| Chimney Offset Chart..... | 21 | Installation Warnings | 4 |
| Chimney Requirements..... | 19 | Introduction | 2 |
| Chimney Termination Requirements | 25 | Listing Information..... | 35 |
| Clearances | 14 | Listing Label..... | 41 |
| Cooling Vent Requirements | 15 | Mantel Requirements..... | 30 |
| Dimensions | 6 | Negative Pressure Warning..... | 11 |
| Door Installation | 39 | Non-Combustible Mantels | 31 |
| Door Latch Adjustment..... | 39 | Offset Requirements | 24 |
| Emissions | 5 | Operating Warnings..... | 4 |
| Faceplate Installation | 37 | Order of Installation..... | 8 |
| Facing Requirements | 26 | Packing List..... | 7 |
| Finalizing the Installation..... | 33 | Planning the Installation..... | 7 |
| Fireplace Placement | 13 | Raised Fireplaces | 15 |
| Fireplace Placement Requirements..... | 12 | Requirements for Cold Environments..... | 9 |
| Firestops..... | 24 | Warranty | 40 |
| Hearth Requirements | 32 | | |