

4415 HO GSR2

(with screen)

Installation Manual



⚠ WARNING: FIRE OR EXPLOSION HAZARD

Failure to follow safety warnings exactly could result in serious injury, death, or property damage.

- Do not store or use gasoline or other flammable vapors and liquids in the vicinity of this or any other appliance.
- **WHAT TO DO IF YOU SMELL GAS**
 - Do not try to light any appliance.
 - Do not touch any electrical switch; do not use any phone in your building.
 - Leave the building immediately
 - Immediately call your gas supplier from a neighbor's phone. Follow the gas supplier's instructions.
 - If you cannot reach your gas supplier, call the fire department.
- Installation and service must be performed by a qualified installer, service agency, or the gas supplier.

! DANGER



HOT GLASS WILL CAUSE BURNS

DO NOT TOUCH GLASS UNTIL COOLED

NEVER ALLOW CHILDREN TO TOUCH GLASS

A barrier designed to reduce the risk of burns from the hot viewing glass is provided with this appliance and shall be installed for the protection of children and other at-risk individuals.

Tested and Listed by



Intertek

Report # 100866536PRT-001
ANSI Z21.88:19
CSA 2.33:19

- **Built-In Direct Vent Fireplace**
- **Natural Gas or Propane**
- **Residential or Mobile Home**

This appliance may be installed in an aftermarket, permanently located, manufactured home (USA only) or mobile home, where not prohibited by local codes.

This appliance is only for use with the type of gas indicated on the rating plate. A conversion kit is supplied with the appliance.

INSTALLER: Leave this manual with the appliance.

French language manuals at fireplacex.com

CONSUMER: Retain this manual for future reference.

Manuels de langue Française à fireplacex.com

Overview

This manual details the installation requirements for the 4415 HO GSR2 fireplace. For operating and maintenance instructions, refer to the 4415 HO GSR2 Owner's Manual.

Listing Details

This appliance was listed by Intertek Test Labs to ANSI Z21.88. The listing label is attached to the appliance near the gas control valve. A copy is shown to the right.

Massachusetts Approval

This manual has been submitted to the Massachusetts Board of State Examiners of Plumbers and Gas Fitters.

National Fireplace Institute



We suggest that our gas hearth products be installed and serviced by professionals who are certified in the U.S. by the National Fireplace Institute® (NFI) as NFI Gas Specialists.



Intertek
Control / Contrôle No. 4000515

4415 HO GSR2
Vented Gas Fireplace Heater
Le Gaz donné vent Cheminée
Appareil de chauffage



TRAVIS INDUSTRIES
HOUSE OF FIRE
www.travisproducts.com

Certified to: ANSI Z21.88:19/CSA 2.33:19 "Vented Gas Fireplace Heater", CGA 2.17-M91 (R2009) "Gas Burning Heating Appliances for Manufactured Homes", and CSA P.4.1-09 Testing method for measuring annual fireplace efficiency. Refer to the Intertek Directory of Building Products (<https://bpdirectory.intertek.com>) for detailed information.

This appliance must be installed in accordance with local codes, if any; if none, follow the National Fuel Gas Code, ANSI Z223.1/NFPA 54, or Natural Gas and Propane Installation Codes, CSA B149.1.

This appliance must be installed in accordance with the current Standard CAN/CSA Z240 MH, Mobile Housing, in Canada or with the Manufactured Home Construction and Safety Standard, Title 24 CFR, Part 3280, in the United States, or when such a standard is not applicable, ANSI/CSBCS A225.1/NFPA 501A, Manufactured Home Installation Standard.

This vented gas fireplace heater is equipped at the factory for use with natural gas. If conversion to propane (LP) is desired, the optional factory conversion kit must be used. Part No. 250-03317 register kit may be used.

This appliance is only for use with the type of gas indicated on the rating plate and may be installed in an aftermarket, permanently located, manufactured home (USA only) or mobile home, where not prohibited by local codes. See owner's manual for details. This appliance is not convertible for use with other gases, unless a certified kit is used.

This vented gas fireplace heater is not for use with air filters.

Keep burner and control compartment clean. See installation and operating instructions accompanying appliance.

THIS APPLIANCE MUST BE PROPERLY CONNECTED TO A VENTING SYSTEM IN ACCORDANCE WITH THE MANUFACTURER'S INSTALLATION INSTRUCTIONS. Use only approved coaxial direct vent system to vent this appliance to the exterior. See owner's manual for approved brands of venting.

If the vent-air intake system is disconnected for servicing or any other reason, it must be resealed and / or reinstalled.

WARNING: Improper installation, adjustment, alteration, service or maintenance can cause injury or property damage. Refer to the owner's information manual provided with this appliance. For assistance or additional information consult a qualified installer, service agency or the gas supplier.

VENTED GAS FIREPLACE HEATER
NOT FOR USE WITH SOLID FUEL

Minimum Clearances to Combustibles

Fireplace to Adjacent Wall	3" (77mm)
Wood Floor Beneath Fireplace	0" (0mm)
Back to Enclosure	0.125" (4mm)
Base of Fireplace to Enclosure Top	66" (1676mm)
Sides to Enclosure	0.625" (17mm)
Base of Fireplace to a Mantel	See Owner's Manual

FAN TYPE VENTED CIRCULATOR

Blower Electrical Rating: 120V AC, 4.5 Amps, 60 Hz, 540 Watts

Part No. 250-02898 / 250-02899 fan or blower assembly may be used.
DANGER! Risk of Electric Shock. Disconnect power before servicing unit.

	PROPANE	N.G.
Input Rate on "HI" (BTU/Hr)	42,000	42,000
Input Rate on "LO" (BTU/Hr)	21,413	21,672
Orifice Size - (DMS)	#49	#31
Minimum Inlet Pressure (inches W.C.)	11"	5.5"
Maximum Inlet Pressure (inches W.C.)	13"	7"
Manifold Pressure on "HI" (inches W.C.)	11"	3.8"

This appliance is equipped for use only at altitudes 0-2,000 feet (0-610m) in the USA. In Canada, 0-4,500 feet (0-1370m).

For altitudes above 2,000 feet, the vent configuration, orifice, or combination of both may need to be changed.
See owner's manual for information on making these changes.

WARNING: Failure to install this appliance per the manufacturer's instructions or failure to use only parts specifically approved with this appliance may result in property damage or personal injury.

MANUFACTURE DATE:

<input type="checkbox"/> 2022	<input type="checkbox"/> Jan.	<input type="checkbox"/> Apr.	<input type="checkbox"/> Jul.	<input type="checkbox"/> Oct.
<input type="checkbox"/> 2023	<input type="checkbox"/> Feb.	<input type="checkbox"/> May	<input type="checkbox"/> Aug.	<input type="checkbox"/> Nov.
<input type="checkbox"/> 2024	<input type="checkbox"/> Mar.	<input type="checkbox"/> Jun.	<input type="checkbox"/> Sep.	<input type="checkbox"/> Dec.

CAUTION:

Do not operate this appliance with glass removed, cracked or broken. Replacement of the panel(s) should be done by a licensed or qualified service person.

Certifiés: ANSI Z21.88:19/CSA 2.33:19 « A Donnée vent de l'Appareil de chauffage de Cheminée de Gaz », adaptateur de graphique couleur 2.17-M91 (R2009) « Le Gaz Brûlant Appareils Chauffage pour les Maisons Fabriquées », et la méthode d'Essai de P.4.1-09 DE CSA pour l'efficacité de cheminée annuelle à mesurer. Reportez-vous au répertoire des produits de construction d'Intertek (<https://bpdirectory.intertek.com>) pour obtenir des informations détaillées.

Cet appareil doit être conformément installé aux codes locaux, si n'importe lequel; si aucun, suivre le Code de Gaz de Carburant National, ANSI Z223.1/NFPA 54, ou Gaz Naturels et les Codes d'Installation de Propane, CSA B149.1.

Cet appareil doit être conformément installé au BOITE/CSA Standard actuel Z240 MH, le Logement Mobile, au Canada ou avec les Constructions de Maison Fabriquées et la Norme de Sécurité, le Titre 24 CFR, la Partie 3280, aux États-Unis, ou quand une telle norme n'est pas applicable, ANSI/CSBCS A225.1/NFPA 501A, Norme d'Installation de Maison Fabriquée.

Ceci a donné vent de l'appareil de chauffage de cheminée de gaz est équipé à l'usine pour l'usage avec le gaz naturel. Si la conversion au propane (LP) est désiré, la trousse de conversion d'usine facultative doit être utilisée. La partie No 250-03317 trousse de registre pourrait être utilisée.

Cet appareil est seulement pour l'usage avec le type de gaz indiqué sur la plaque de classement et pourrait être installé dans une maison tiers d'une façon permanente localisée et fabriquée (USA seulement) ou la maison mobile, où pas interdit par les codes locaux. Voir le manuel du propriétaire pour les détails. Cet appareil n'est pas convertible pour l'usage avec les autres gaz, à moins qu'une trousse certifiée est utilisée.

Ceci a donné vent de l'appareil de chauffage de cheminée de gaz n'est pas pour l'usage avec les filtres à air.

Garder le compartiment de brûleur et contrôle nette. Voir l'installation et les instructions opérantes qui accompagnent l'appareil.

CET APPAREIL DOIT ÊTRE CONVENEABLEMENT CONNECTÉ À UN SYSTÈME DONNER VENT CONFORMEMENT AUX INSTRUCTIONS D'INSTALLATION DU FABRICANT. Utiliser le système de conduit direct, coaxial et seulement approuvé pour donner vent cet appareil à l'extérieur. Voir le manuel du propriétaire pour les marques approuvées de donner vent.

Si le système de prise de conduit-air est débranché pour entretenir ou aucune autre raison, il doit être rescellée et / ou réinstallé.

L'APPAREIL DE CHAUFFAGE DONNE VENT DE CHEMINÉE DE GAZ
PAS POUR L'USAGE AVEC LE COMBUSTIBLE SOLIDE

Dégagements Minimums à Combustible

La cheminée au mur adjacent	3" (77mm)
Le plancher en bois en dessous de la cheminée	0" (0mm)
De retour à la clôture	0.125" (4mm)
La base de cheminée au sommet de clôture	66" (1676mm)
Les côtés à la clôture	0.625" (17mm)
La base de cheminée à un manteau de cheminée	**

(** Voir le manuel du propriétaire)

VENTER LE TYPE A DONNE VENT CIRCULATEUR

La soufflerie Classement Electrique : 120V AC, 4,5 Amps, 60 Hz, 540 Watts

La partie No 250-02898 / 250-02899 assemblée de ventilateur ou soufflerie pourrait être utilisée.

¡PELIGRO! El riesgo de Descarga eléctrica. Desconecte el poder antes de atender a la unidad.

	PROPANE	G.N.
Taux d'entrée sur « HI » (BTU/Hr)	42,000	42,000
Taux d'entrée sur « LO » (BTU/Hr)	21,413	21,672
La Taille d'orifice - (DMS)	#49	#31
La Pression minimum d'Arrivée (inches W.C.)	11"	5.5"
La Pression maximum d'Arrivée (inches W.C.)	13"	7"
Diverse Pression sur « HI » (inches W.C.)	11"	3.8"

Cet appareil est équipé pour l'usage seulement aux altitudes 0-2,000 pieds (0-610m) dans l'USA. Au Canada, 0-4,500 pieds (0-1370m).

Pour les altitudes au-dessus de 2,000 pieds, la configuration de conduit, l'orifice, ou la combinaison des deux peut avoir besoin d'être changé.
Voir le manuel du propriétaire pour les informations sur faire ces changements.

AVERTISSEMENT : L'installation déplacée, l'ajustement, le changement, le service ou l'entretien peuvent causer les dommages de blessure ou propriété. Se référer au manuel d'informations du propriétaire fourni avec cet appareil. Pour obtenir de l'aide ou les informations supplémentaires consultez un programme d'installation, une agence de service ou le fournisseur de gaz qualifié.

AVERTISSEMENT : L'échec pour installer cet appareil par les instructions du fabricant ou l'échec pour utiliser seulement des parties ont approuvé en particulier avec cet appareil peut avoir pour résultat les dommages de propriété ou la blessure personnelle.

PRUDENCE:

Ne pas fonctionner cet appareil avec le verre enlevé, craqué ou cassé. Le remplacement des panneaux devrait être fait par une personne de service autorisée ou qualifiée.

Overview 2

Listing Details 2

Installation Options 6

Heating Specifications 6

Dimensions 6

Packing List 7

Additional Items Required 7

Recommended Installation Procedure 7

Massachusetts Requirements 8

 Requirements for the Commonwealth of
 Massachusetts 8

 MANUFACTURER REQUIREMENTS 8

Fireplace Placement Requirements 9

 Clearances 9

 Raised Fireplaces 9

Televisions Placed Above the Fireplace 10

 Using a Mantel between the Fireplace and Television 10

Minimum Framing Dimensions 11

 Min. Framing - Without CoolSmart TV kit 11

 Min. Framing – With CoolSmart TV Kit 11

Minimum Vent “Bump Out” application 12

Nailing Brackets – Standard Install 13

Standard vs. Extended Position 14

Corner Installations 15

Removing the Front Panel 16

Gas Line Requirements 17

 Fuel 17

 Gas Line Connection 17

 Gas Inlet Pressure 17

 Gas Line Location 18

 Relocating the Gas Line to the Baseplate 18

Electrical Connection 19

 Relocating the Electrical Line to the Baseplate 19

Vent Requirements 20

 Vent Clearances 20

 Vent Firestop 20

 Altitude Considerations 20

 Approved Vent 20

 Vent Installation 21

 Vertical Pipe Shield 21

 Minimum Vent Pipe Shield – Preparing the Shield 22

 Minimum Vent Pipe Shield – Used for Minimum Vent
 Applications Only 23

Approved Vent Configurations 24

 Restrictor Position 24

 Exhaust Restrictor 24

 Intake Restrictor 25

 Diffuser 26

Minimum Vent Configuration 27

Vent Configuration: Vertical Termination 28

**Vent Configuration: Horizontal Termination
with Vertical Rise 29**

**Vent Configuration: Horizontal Termination
with Vertical Rise – 8” Vent 30**

Masonry Chimney Conversions 31

Class A Chimney Conversion 32

Termination Requirements 33

Hearth Requirements 34

Vinyl Flooring Hearth Recommendations 35

Non-Combustible Framing (included) 36

Facing Requirements 37

 Standard vs. Extended Position 38

 Facing Example – Standard Position – Flush Finish 39

 Facing Example – Standard Position - Tile-Over
 Finish 40

 Do Not Drill or Screw Zone 41

Mantel Requirements 42

 Mantel Column Clearances 42

**Use of a Non-Combustible Mantel Below Listed
Mantel Clearances 43**

Steps for Finalizing the Installation 44

 Air Shutter Adjustment 45

Glass Frame Removal and Installation 46

Fireback Installation 50

Crushed Glass Installation 52

LP Conversion Instructions 53

Wiring Diagram 57

Power Heat Duct Installation (Optional) 58

CoolSmart TV (Optional) 60

 CoolSmart TV - Installation Overview 60

 CoolSmart TV - Installation Requirements 61

 CoolSmart TV - Combustible “Over-Facing” (Optional) ... 62

 CoolSmart TV - Flush Facing Header Configuration
 and Facing 63

 CoolSmart TV - Framing the Chase 64

 CoolSmart TV - Fireplace Preparation 65

 CoolSmart TV - Using oval pipe to get past an
 obstruction 68

 CoolSmart TV - Mantel Clearances 69

Safety Warnings

- Failure to follow all of the requirements may result in property damage, bodily injury, or even death.

Young children should be carefully supervised when they are in the same room as the appliance. Toddlers, young children, and others may be susceptible to accidental contact burns. A physical barrier is recommended if there are at risk individuals in the house. To restrict access to a fireplace or stove, install an adjustable safety gate to keep toddlers, young children, and other at risk individuals out of the room and away from hot surfaces.

Children and adults should be alerted to the hazards of high surface temperature and should stay away to avoid burns or clothing ignition. Do not touch the hot surfaces of the heater. Educate all children about the danger of a high-temperature heater.

Due to the high temperature, the heater should be located out of traffic and away from furniture and draperies.

- This unit must be installed by a qualified installer to prevent the possibility of an explosion.
- This appliance must be installed in accordance with all local codes if any. If not, in U.S.A. follow ANSI Z223.1 and NFPA 54(88), in Canada follow CSA B149.1. In Australia follow AS/NZS 5601.1.
- A manufactured home (USA only) or mobile home OEM installation must conform with the Manufactured Home Construction and Safety Standard, Title 24 CFR, Part 3280, or, when such a standard is not applicable, the Standard for Manufactured Home Installations, ANSI/NCSCS A225.1, or Standard for Gas Equipped Recreational Vehicles and Mobile Housing, CSA Z240.4. This appliance may be installed in Manufactured Housing only after the home is site located.
- All exhaust gases must be vented outside the structure of the living area. Combustion air is drawn from outside the living-area structure. The venting must not be connected to a chimney flue serving a separate solid-fuel burning appliance.
- Notify your insurance company before hooking up this fireplace.
- The instructions in this manual must be strictly adhered to. Do not use makeshift methods or compromise in the installation. Improper installation will void the warranty and safety listing.
- This heater is approved for use with natural gas (NG) or propane (LP). Burning the incorrect fuel will void the warranty and safety listing and may cause an extreme safety hazard. Direct questions about the type of fuel used to your dealer.
- Contact your local building officials to obtain a permit and information on any installation restrictions or inspection requirements in your area.
- If the flame becomes sooty, dark orange in color, or extremely tall, do not operate the heater. Call your dealer and arrange for proper servicing.
- It is imperative that control compartments, screens, or circulating air passageways of the heater be kept clean and free of obstructions. These areas provide the air necessary for safe operation.
- Do not operate the heater if it is not operating properly in any fashion or if you are uncertain. Call your dealer for a full explanation of your heater and what to expect.
- Do not store or use gasoline or other flammable liquids in the vicinity of this heater.
- Do not operate if any portion of the heater was submerged in water or if any corrosion occurs. Immediately call a qualified service technician to inspect the appliance and to replace any part of the control system and any gas control which has been under water.

Safety Warnings (continued)

- Because this heater can be controlled by a thermostat there is a possibility of the heater turning on and igniting any items placed on or near the appliance.
- Light the heater using the built-in igniter. Do not use matches or any other external device to light your heater.
- Never remove, replace, modify or substitute any part of the heater unless instructions are given in this manual. All other work must be done by a trained technician. Don't modify or replace orifices.
- The viewing glass should be opened only for conducting service.
- Allow the heater to cool before carrying out any maintenance or cleaning.
- Operate the heater according to the instructions included in this manual.
- If the main burners do not start correctly turn the gas off and call your dealer for service.
- This unit is not for use with solid fuel.
- Do not place anything inside the firebox (except the optional artwork).
- **Warning:** Do not operate appliance with the glass front removed, cracked, or broken. Replacement of the glass should be done by a licensed or qualified service person.
- Do not throw this manual away. This manual has important operating and maintenance instructions that you will need at a later time. Always follow the instructions in this manual.
- Instruct everyone in the house on how to shut the gas off to the appliance and at the gas main shutoff valve. The gas main shutoff valve is usually next to the gas meter or propane tank and requires a wrench to shut off.
- A barrier designed to reduce the risk of burns from the hot viewing glass is provided with this appliance and shall be installed for the protection of children and other at-risk individuals.
- If the barrier becomes damaged, the barrier shall be replaced with the manufacturer's barrier for this appliance.
- Clothing or other flammable material should not be placed on or near the appliance.
- Any safety screen, guard, or barrier removed for servicing an appliance must be replaced prior to operating the appliance.
- Installation and repair should be done by a qualified service person. The appliance should be inspected before use and at least annually by a professional service person. More frequent cleaning might be required due to excessive lint from carpeting, bedding material, et cetera. It is imperative that control compartments, burners, and circulating air passageways of the appliance be kept clean.
- **Travis Industries, Inc. grants no warranty, implied or stated, for the installation or maintenance of your heater, and assumes no responsibility for any consequential damage(s).**
-

Proposition 65 Warning: Fuels used in gas, woodburning or oil fired appliances, and the products of combustion of such fuels, contain chemicals known to the State of California to cause cancer, birth defects, and other reproductive harm.
California Health & Safety Code Sec. 25249.6

Travis Gas Fireplaces, Stoves and Inserts are protected by one or more of the following patents; U.S. 8,469,021, 7,066,170, 6,602,068, 6,443,726, 6,953,037; Canada 2755517 as well as other U.S. and Foreign Patents pending.

6

Features and Specifications

Installation Options

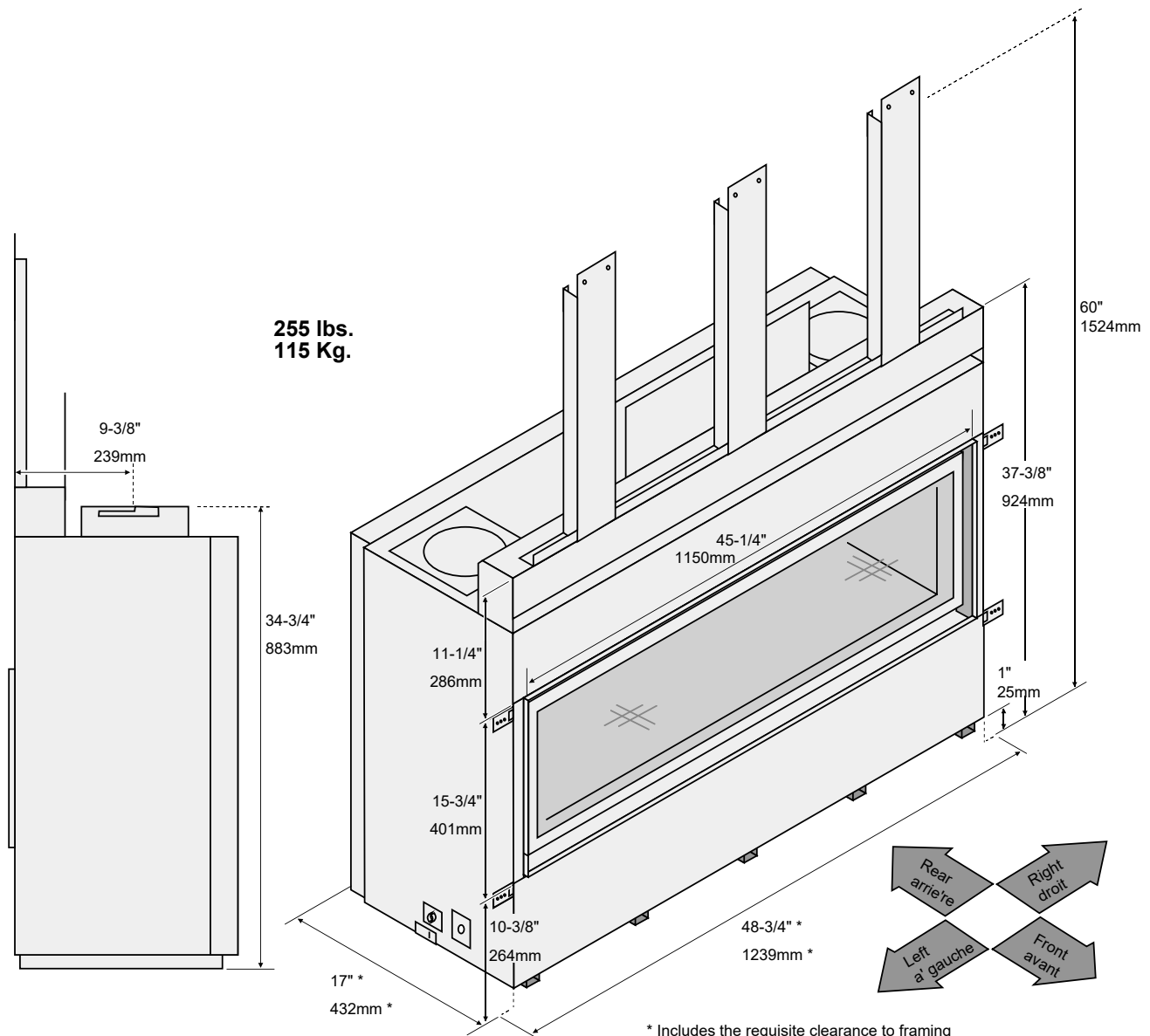
- Residential or Mobile Home
- Straight or Corner Placement
- Raised or Floor Placement
- Internal or External Chase
- Bedroom Approved

Heating Specifications

	Natural Gas	Propane
Approximate Heating Capacity (in square feet)*	Up to 2,100	Up to 2,100
Maximum BTU Input Per Hour	42,000	42,000

* Heating capacity will vary with floor plan, insulation, and outside temperature.

Dimensions



* Includes the requisite clearance to framing
(1/8" 4mm to rear, 5/8" 16mm to the sides)

Packing List

- Propane Conversion Kit
- Remote Control
- 4 AA Batteries, 3 AAA Batteries
- Glass Latch Tool
- (2) Firestops (8" Diameter)
- Non-Combustible Framing (3 pieces)
- Heat Shield

Additional Items Required

- **If using LP (propane) a conversion kit is required (4-pack = 94400999, single = 250-01463).**
- Gas Line Equipment (shutoff valve, pipe, etc.)
- Electrical Equipment (min. 14 gauge, grounded line)
- **This Fireplace Requires Firebacks and 7 lbs. of 1/4" Crushed Glass**

<u>Firebacks</u>	96100971 Stainless Steel 96100972 Black Enamel 96100973 Black Painted 96100974 Ledgestone
<u>Crushed Glass</u>	94500580 Platinum (10 lbs.) 94500581 Bronze (10 lbs.) 94500582 Cobalt (10 lbs.)

Recommended Installation Procedure

- Frame the opening for the fireplace. Make sure to allow for vent installation.
- Install the vent, gas line, and electrical hook-up.
- Install the drywall.
- Install the hearth (if applicable).
- Install the facing (if applicable).
- Install the mantel (if applicable).
- Install the firebacks.
- Install the logs (optional) and glass media.
- Finalize the installation (see page 42).

Massachusetts Requirements

NOTE: The following requirements reference various Massachusetts and national codes not contained in this document.

Requirements for the Commonwealth of Massachusetts

For all side wall horizontally vented gas fueled equipment installed in every dwelling, building, or structure used in whole or in part for residential purposes, including those owned or operated by the Commonwealth and where the side wall exhaust vent termination is less than seven (7) feet above finished grade in the area of the venting, including but not limited to decks and porches, the following requirements shall be satisfied:

Installation of Carbon Monoxide Detectors

At the time of installation of the side wall horizontal vented gas fueled equipment, the installing plumber or gasfitter shall observe that a hard wired carbon monoxide detector with an alarm and battery backup is installed on the floor level where the gas equipment is to be installed. In addition, the installing plumber or gasfitter shall observe that a battery operated or hard wired carbon monoxide detector with an alarm is installed on each additional level of the dwelling, building, or structure served by the side wall horizontal vented gas fueled equipment. It shall be the responsibility of the property owner to secure the services of qualified licensed professionals for the installation of hard wired carbon monoxide detectors.

In the event that the side wall horizontally vented gas fueled equipment is installed in a crawl space or an attic, the hard wired carbon monoxide detector with alarm and battery back-up may be installed on the next adjacent floor level.

In the event that the requirements of this subdivision cannot be met at the time of completion of installation, the owner shall have a period of thirty (30) days to comply with the above requirements; provided, however, that during said thirty (30) day period, a battery operated carbon monoxide detector with an alarm shall be installed.

Approved Carbon Monoxide Detectors

Each carbon monoxide detector as required in accordance with the above provisions shall comply with NFPA 720 and be ANSI/UL 2034 listed and IAS certified.

Signage

A metal or plastic identification plate shall be permanently mounted to the exterior of the building at a minimum height of eight (8) feet above grade directly in line with the exhaust vent terminal for the horizontally vented gas fueled heating appliance or equipment. The sign shall read, in print size no less than one-half (1/2) inch in size, "GAS VENT DIRECTLY BELOW. KEEP CLEAR OF ALL OBSTRUCTIONS".

Inspection

The state or local gas inspector of the side wall horizontally vented gas fueled equipment shall not approve the installation unless, upon inspection, the inspector observes carbon monoxide detectors and signage installed in accordance with the provisions of 248 CMR 5.08(2)(a)1 through 4.

Exemptions

The following equipment is exempt from 248 CMR 5.08(2)(a)1 through 4:

- The equipment listed in Chapter 10 entitled "Equipment Not Required To Be Vented" in the most current edition of NFPA 54 as adopted by the Board; and
- Product Approved side wall horizontally vented gas fueled equipment installed in a room or structure separate from the dwelling, building, or structure used in whole or in part for residential purposes.

MANUFACTURER REQUIREMENTS

Gas Equipment Venting System Provided

When the manufacturer of Product Approved side wall horizontally vented gas equipment provides a venting system design or venting system components with the equipment, the instructions provided by the manufacturer for installation of the equipment and the venting system shall include:

- Detailed instructions for the installation of the venting system design or the venting system components; and
- A complete parts list for the venting system design or venting system.

Gas Equipment Venting System NOT Provided

When the manufacturer of a Product Approved side wall horizontally vented gas fueled equipment does not provide the parts for venting the flue gases but identifies "special venting systems", the following requirements shall be satisfied by the manufacturer:

- The referenced "special venting system" instructions shall be included with the appliance or equipment installation instructions; and
- The "special venting systems" shall be Product Approved by the Board, and the instructions for that system shall include a parts list and detailed installation instructions.

A copy of all installation instructions for all Product Approved side wall horizontally vented gas fueled equipment, all venting instructions, all parts lists for venting instructions, and/or all venting design instructions shall remain with the appliance or equipment at the completion of the installation.

See Gas Connection section for additional Commonwealth of Massachusetts requirements.

Fireplace Placement Requirements

- Fireplace must be installed on a level surface capable of supporting the fireplace and vent
- Fireplace must be placed directly on a wood or non-combustible surface (not on linoleum or carpet)
- Fireplace should be located out of traffic and away from furniture and draperies.
- Fireplace must be placed so the gaps below and above the glass frame do not become blocked.
- Fireplace may be placed in a bedroom. Please be aware of the large amount of heat this appliance produces when determining a location.

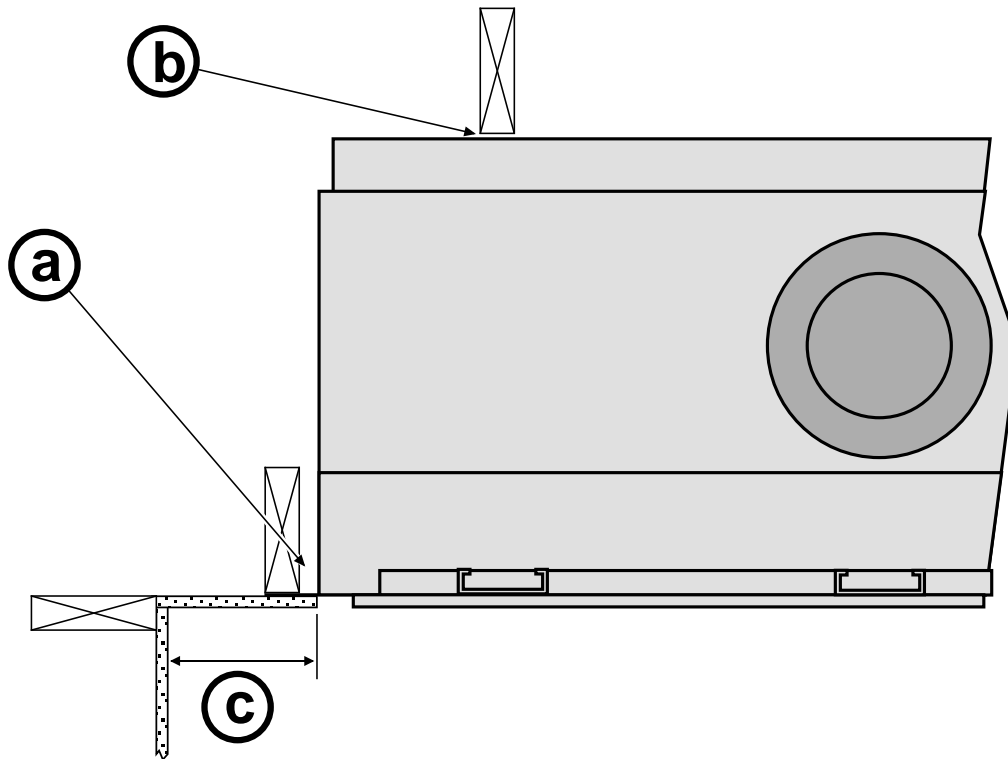
Clearances

(a) Clearance to Side of Fireplace 5/8" (16mm). Do not place insulation in this space.

NOTE: Drywall (or other combustible) may contact the first 1/2" of the sides of the fireplace.

(b) Clearance to Back of Fireplace 1/8" (4mm). Do not place insulation in this space.

(c) When installed, walls in front of the fireplace must be a minimum of 3" (77mm) to the side of the fireplace.



Raised Fireplaces

- The fireplace (and hearth, if desired) may be placed on a platform designed to support the fireplace and vent.
- The base of the fireplace must be a minimum of 60" below the room ceiling.



The firebox opening is approximately 10.375" (264mm) above the base of the fireplace. For a typical raised fireplace of 36" (915mm), place the fireplace on a platform 25.625" (651mm) tall.

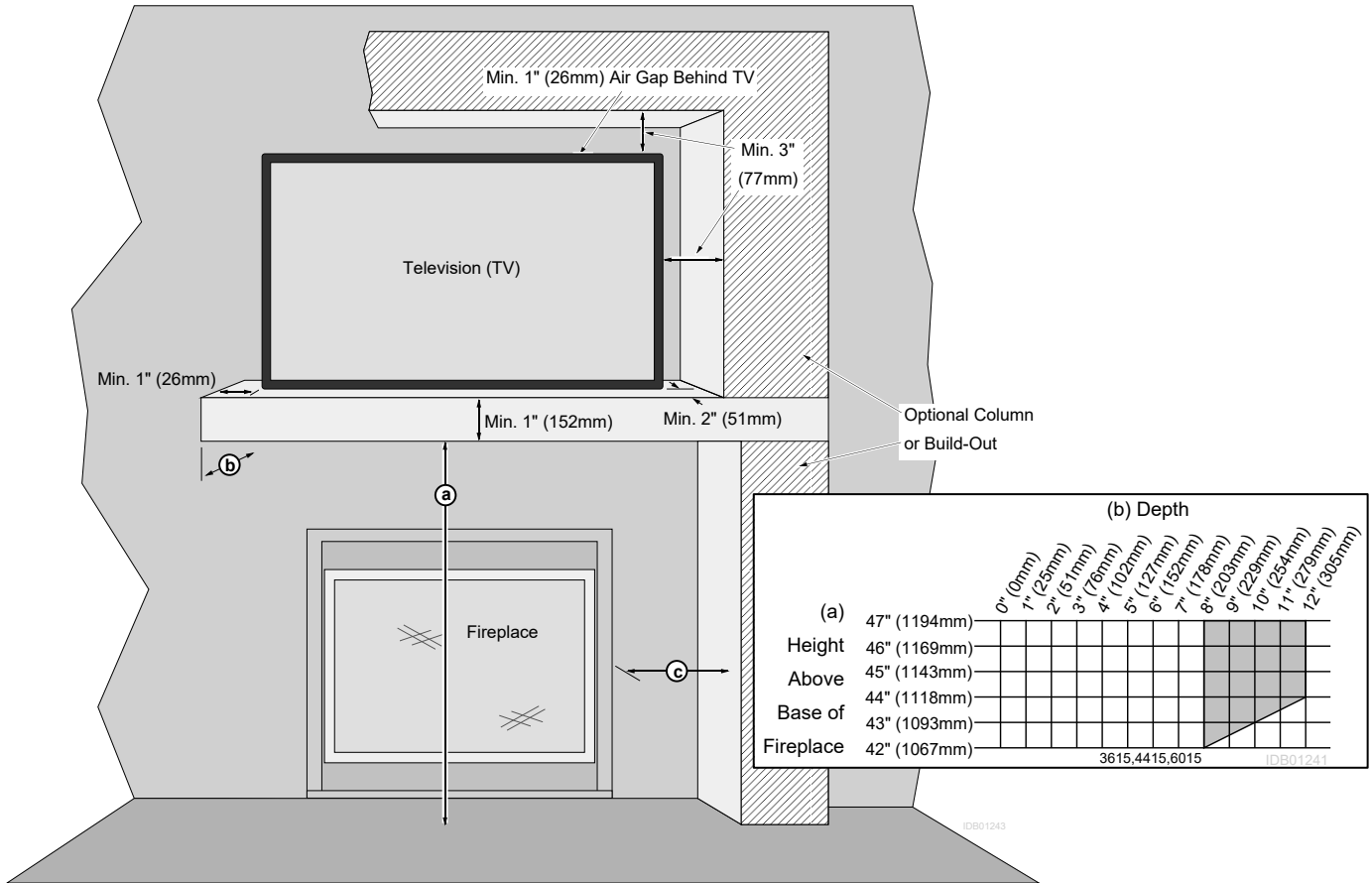
Televisions Placed Above the Fireplace

The following section details three methods to allow for television installation above the fireplace.

Using a Mantel between the Fireplace and Television

IMPORTANT NOTE REGARDING TELEVISIONS AND THIS FIREPLACE

Most television manufacturers instruct the homeowner to not place the television above a heat source. Doing so may negatively affect the longevity of the television and may negate the warranty. If you do place a television above the fireplace, please be aware of the large amount of heat generated by the fireplace and consider placing the television above a mantel to reduce the amount of heat that reaches the television. The homeowner must understand that Travis Industries does not take responsibility for any negative impact on televisions placed near this fireplace.



Minimum Dimensions:

(a) Mantel Height above Base of Fireplace	42" (1067mm) with 8" (203mm) mantel depth
(b) Mantel Depth*	Minimum 8" (203mm)
(c) Optional Columns (or Build-Out)	Must Meet Side Wall Clearances (Measured to the side of fireplace ZC-can)

* **Minimum mantel depth must be 8" to allow heat to dissipate. If using a mantel larger than 8", make sure to adjust the mantel height (a) to meet the mantel clearance (see mantel requirements and/or chart above).**

- The mantel must extend 2" in front of the television and 1" to both sides.
- If you have a television that is greater than 6" deep (including the 1" gap behind), you will need to alter the mantel depth and height (see the example below).
- The television must have a 1" gap to the wall to allow for proper cooling. Any build-out near the television must maintain a 3" gap to the top and sides to prevent heat from being trapped near the television.

EXAMPLE: If you have a television that is 9" deep (including the 1" gap behind), the mantel must be 11". The mantel height would need to be 44.5" (1156mm) above the base of the fireplace.

WIRING NOTE: If running wiring into the enclosure, you may wish to use thermal insulating wrap around the wiring. Secure the wiring to protect it from contact with hot surfaces.

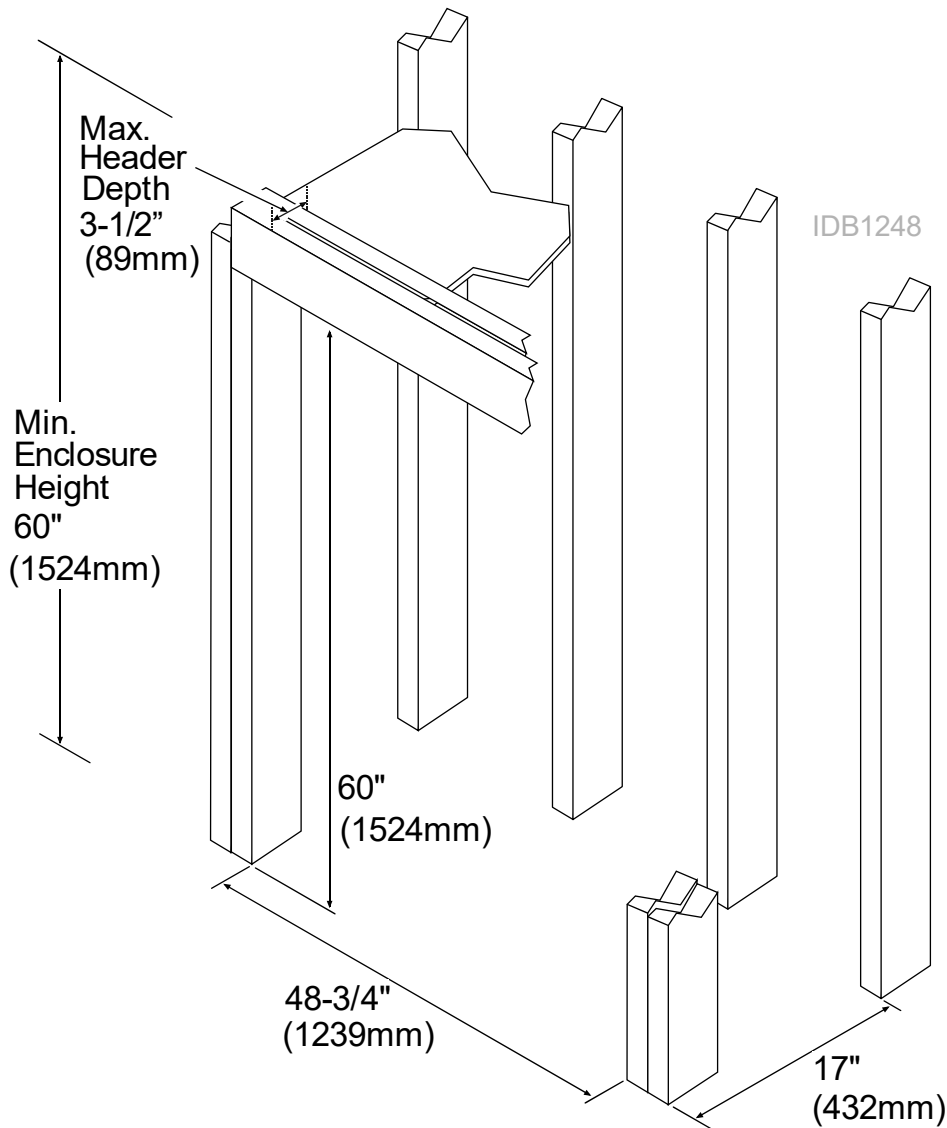
Minimum Framing Dimensions

Min. Framing - Without CoolSmart TV kit



WARNING

When using a CoolSmart TV kit, see section: "CoolSmart TV - Framing the Chase" on page 64.



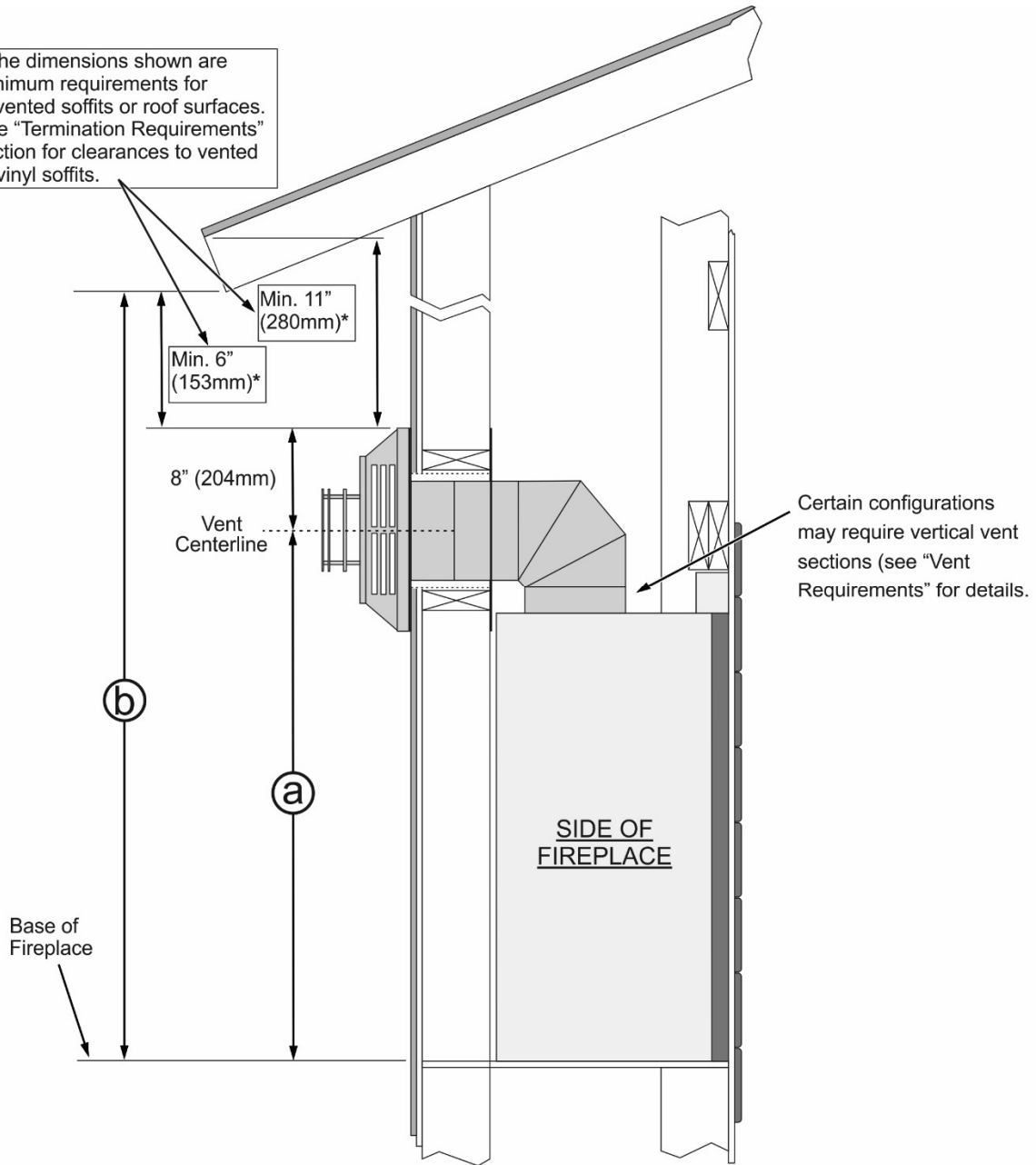
The fireplace enclosure must be a minimum of 60" tall (do not build into the fireplace enclosure)

Min. Framing – With CoolSmart TV Kit

When using a CoolSmart TV kit, see section: "CoolSmart TV - Framing the Chase" on page 64 of this manual or the installation instructions included with the kit for minimum framing dimensions.

Minimum Vent "Bump Out" application

* The dimensions shown are minimum requirements for unvented soffits or roof surfaces. See "Termination Requirements" section for clearances to vented or vinyl soffits.



4415HO

LP & NG Installations

12" Vertical Vent Section (Min. Rise)

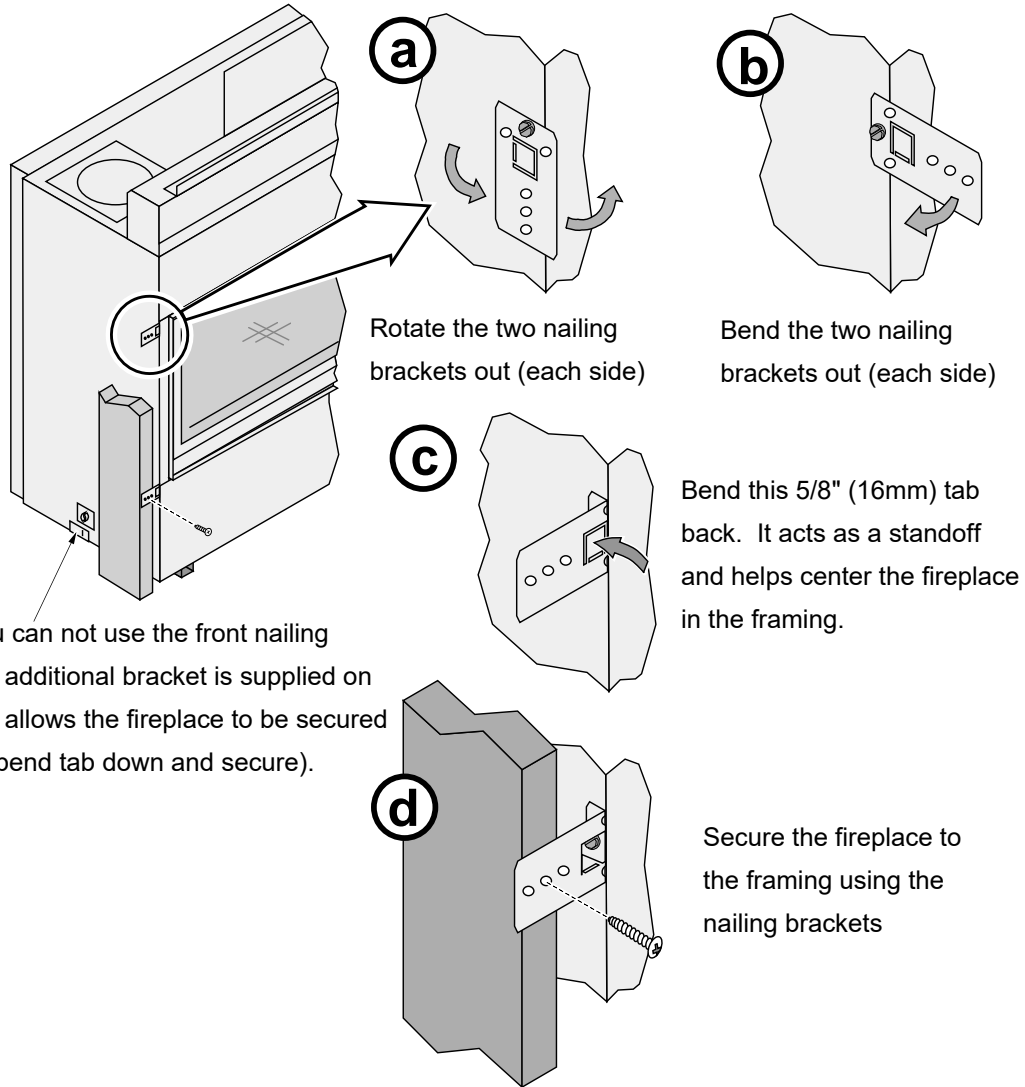
<p>(a) Vent Centerline</p>	<p>Approx. 50-3/4" (1290mm)</p>
<p>(b) FP Base to Roof Eave</p>	<p>Approx. 64-3/4" (1645mm)</p>

Nailing Brackets – Standard Install

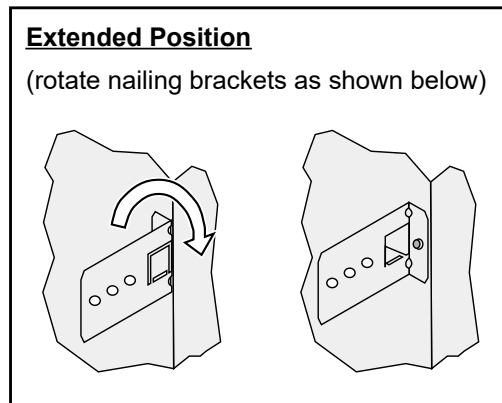
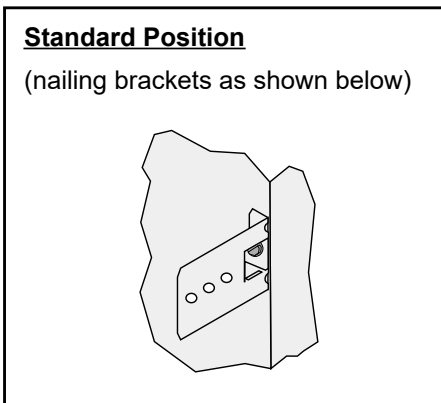
The fireplace has nailing brackets on both sides. Secure the fireplace to the framing.

NOTE: Make sure the fireplace is square and plumb when placed in the framing. Measured corner-to-corner the fireplace should be square. Use shims to ensure the fireplace is square.

NOTE: The nailing brackets have two positions: standard and extended. See the section “Facing Requirements” for details on which position is best for your installation.



NOTE: if you can not use the front nailing brackets, an additional bracket is supplied on the side that allows the fireplace to be secured to the floor (bend tab down and secure).

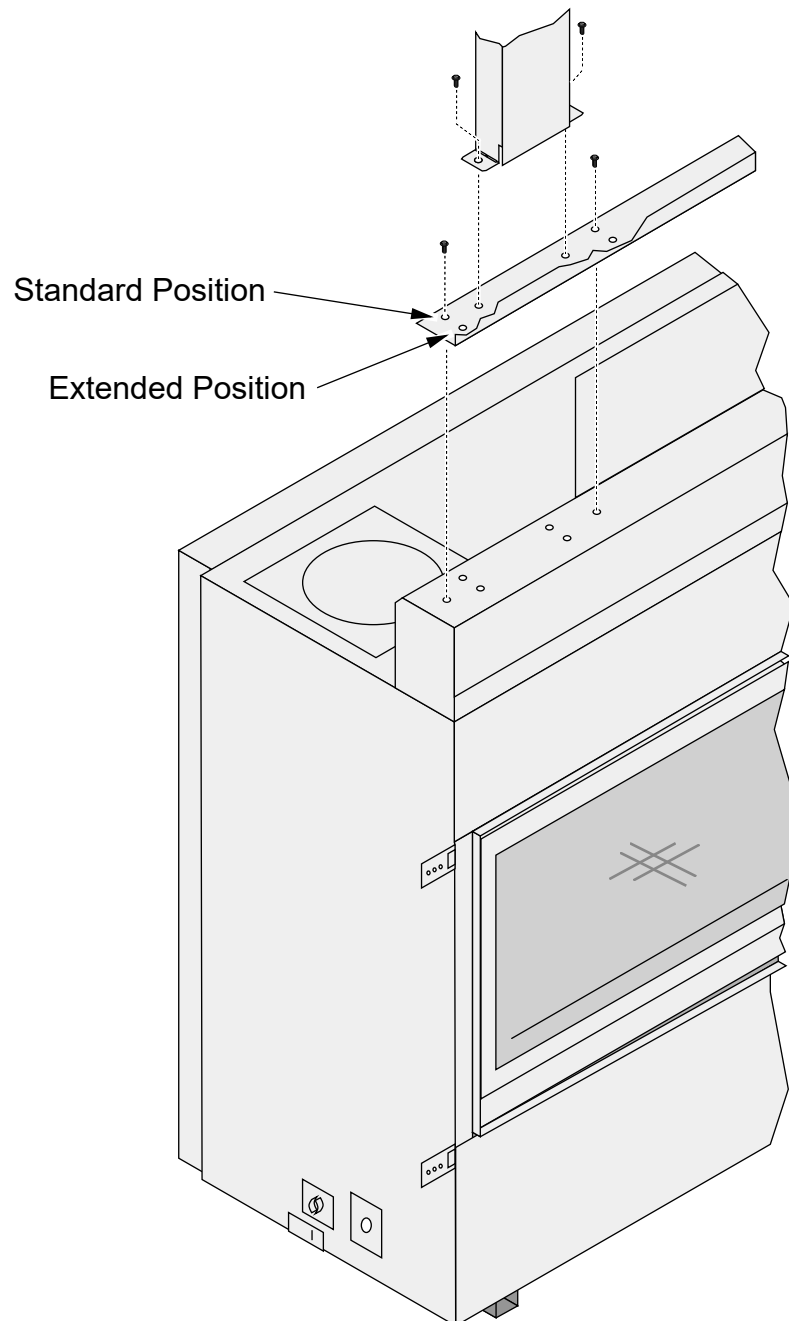


Standard vs. Extended Position

There are two positions where the standoff/heat shield assembly can be installed. The fireplace is shipped in the standard (forward) position.

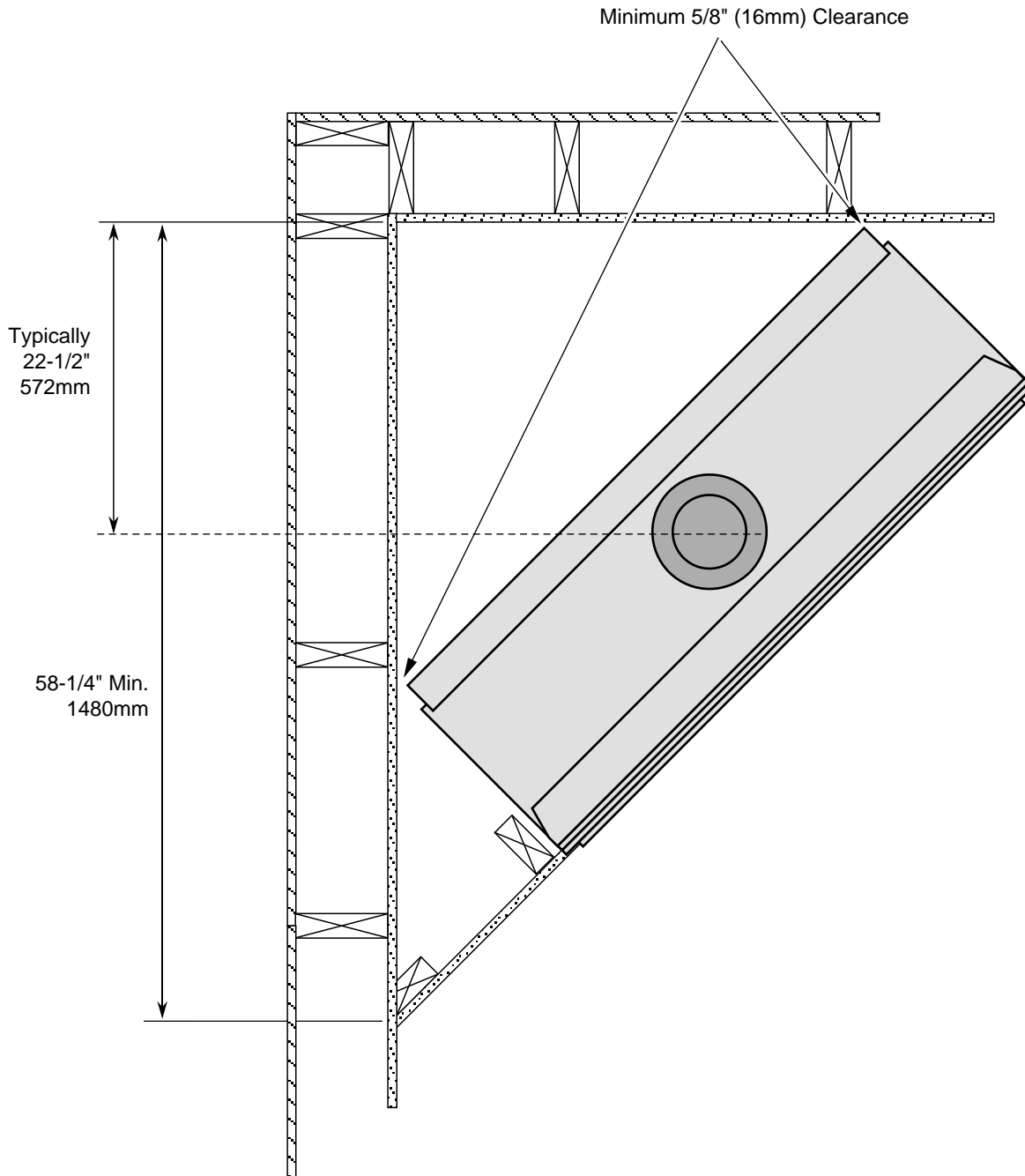
- If the unit is installed in the standard position no modification is needed.
- If the unit is being installed in the extended position, the drywall support/non-combustible framing must be repositioned back $\frac{1}{2}$ " (see illustration below).

NOTE: see "Facing Requirements" for additional details about standard vs. extended installations.



Corner Installations

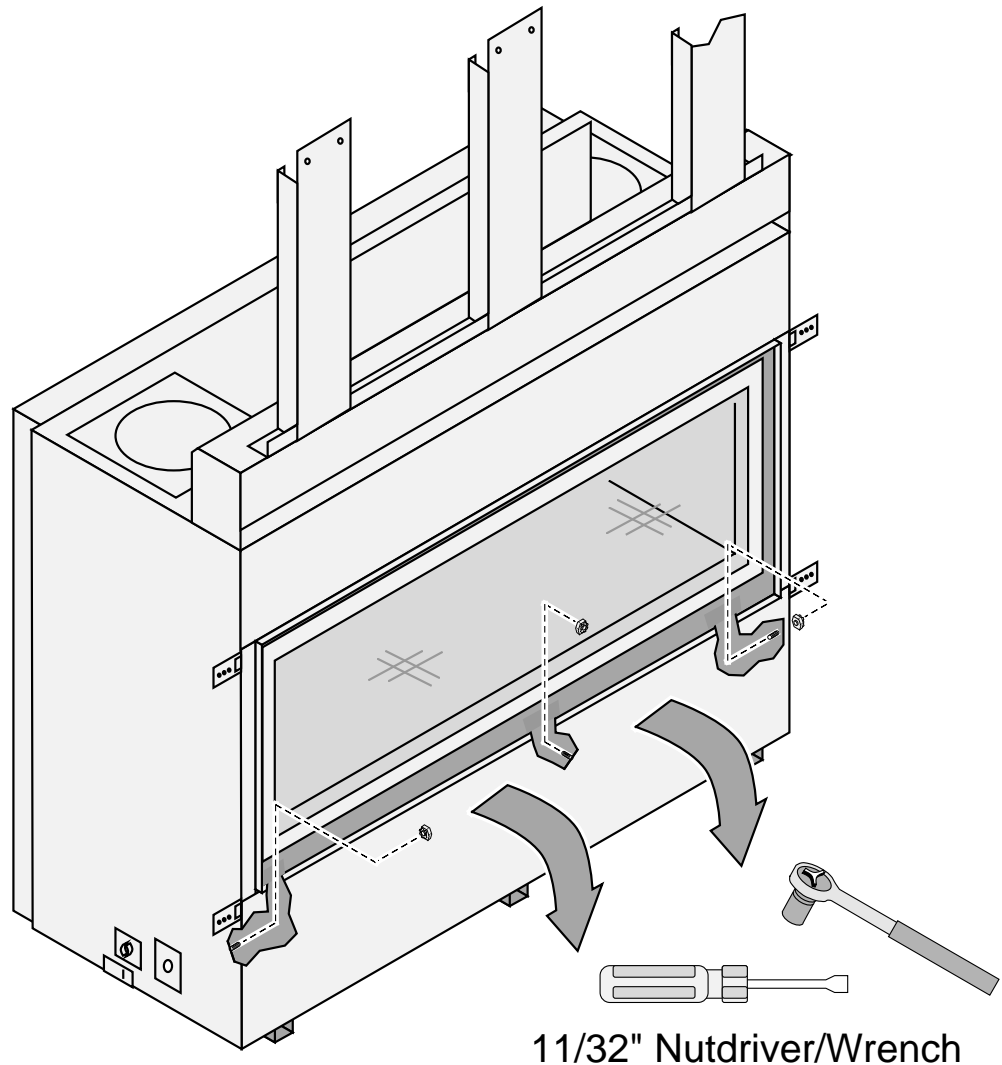
A typical 45° installation uses the framing dimensions shown in the illustration below (NOTE: all clearances still apply).



Removing the Front Panel

The front cover may be removed to access the components. This is required when relocating the electrical or gas inlet location. To remove the front cover

- (a) Remove the center nut.
- (b) Loosen the two outer nuts.
- (c) Rotate the front panel down.
- (d) Remove the front cover.



Gas Line Requirements

MASSACHUSETTS INSTALLATIONS - WARNING:

THIS PRODUCT MUST BE INSTALLED BY A LICENSED PLUMBER OR GAS FITTER WHEN INSTALLED WITHIN THE COMMONWEALTH OF MASSACHUSETTS.

OTHER MASSACHUSETTS CODE REQUIREMENTS:

- Flexible connector must not be longer than 36 inches.
- Shutoff valve must be a "T" handle gas cock.
- Only direct vent sealed combustion products are approved for bedrooms or bathrooms.
- Fireplace dampers must be removed or welded in the open position prior to the installation of a fireplace insert or gas log.
- A carbon monoxide (CO) detector is required in the same room as the appliance.
- The gas line must be installed in accordance with all local codes if any. If not, follow ANSI 223.1 and NFPA 54(88), in Canada follow CSA B149.1 and the requirements listed below.
- The fireplace and gas control valve must be disconnected from the gas supply piping during any pressure testing of that system at test pressures in excess of 1/2 psig (3.5 kPA). For pressures under 1/2 psig (3.5 kPA), isolate the gas supply piping by closing the manual shutoff valve.
- Leak test all gas line joints and the gas control valve prior to and after starting the fireplace.
- This unit has been listed using the included internal gas shutoff valve.

Fuel

- This fireplace is designed either for natural gas or for propane (but not for both).

Gas Line Connection

- Installation must be performed by a qualified installer, service agency, or the gas supplier (In Massachusetts a licensed plumber/gasfitter).
- The gas inlet accepts 1/2" MPT.

Gas Inlet Pressure

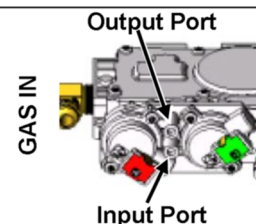
Gas Pressure	Max. Input Pressure	Min. Input Pressure	Max. Manifold Pressure	Min. Manifold Pressure
Natural Gas	7" W.C. (1.74 kPA)	5.5" W.C. (1.37 kPA)	3.8" W.C. (0.95 kPA)	1.1" W.C. (0.27 kPA)
Propane	13" W.C. (3.23 kPA)	11" W.C. (2.74 kPA)	11" W.C. (2.74 kPA)	2.9" W.C. (0.72 kPA)

- If the pressure is not sufficient, make sure the piping used is large enough, the supply regulator is adequately adjusted, and the total gas load for the residence does not exceed the amount supplied.
- The supply regulator (the regulator that attaches directly to the residence inlet or the propane tank) should supply gas at the suggested input pressure listed above. Contact the local gas supplier if the regulator is at an improper pressure.

Directions for Connecting a Gas Pressure Test Gauge

The gas control valve (shown to the right) has two test ports for testing input (line pressure) and output (manifold) pressure. Loosen the brass screw on either test port and place a 5/16" i.d. rubber or plastic tube over the tapered test port. Connect the tube to the test gauge.

WARNING: The brass screw must be tightened after testing to prevent gas leakage.

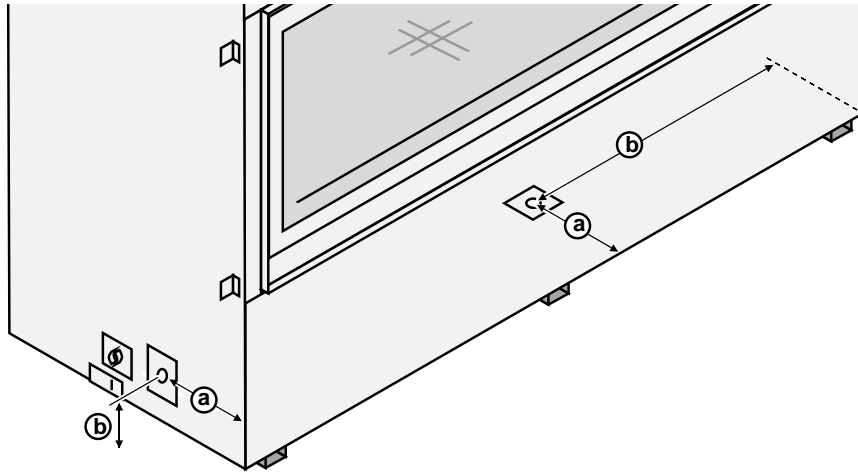


Gas Line Location

NOTE FOR RIGID PIPE: When using rigid pipe, you may wish to disconnect the shutoff valve from the fireplace and route the pipe through the fireplace wall. First, disconnect the gas line from the shutoff valve (see step 1 below). Then remove the shutoff valve from the cover plate (4 screws outside fireplace). The pipe may be routed through the cover plate and the shutoff valve and gas line may be re-attached inside the fireplace.

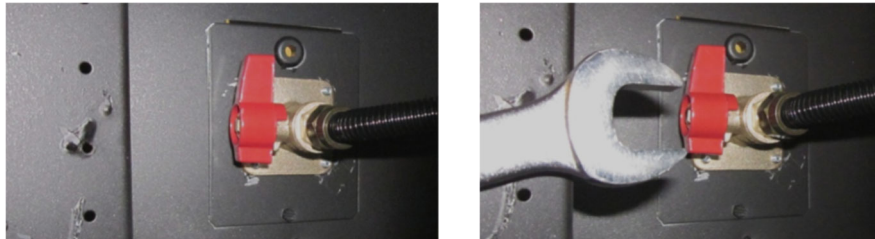
Gas line may be plumbed from the left side (stock) or below. See illustration and table below to determine the gas line location.

	a	b
Left Side Gas Line Location (Stock)	6-7/8" (175mm)	4-1/8" (105mm)
Baseplate Gas Line Location	6-3/4" (172mm)	20-3/8" (518mm)

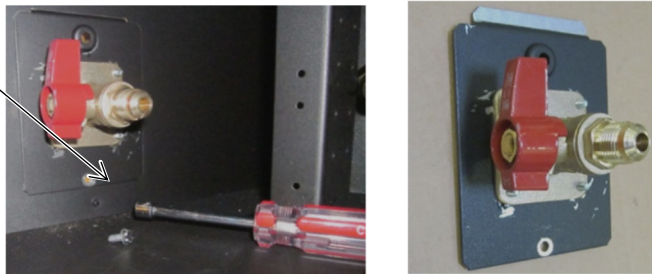


Relocating the Gas Line to the Baseplate

1. Disconnect the gas line from the shutoff valve (3/4" wrench). Gas line is located inside the fireplace on the left side.



2. Remove the screw that holds the shutoff valve plate in place (1/4" nut driver). Remove the shutoff valve plate.



3. Remove the cover plate from the bottom of the fireplace (it is held in place in the same fashion as the shutoff valve plate). Attach it to the left side of the fireplace.
4. Attach the shutoff valve plate to the bottom of the fireplace. Route the gas line to the bottom and re-attach the gas line to the shutoff valve. Make sure to leak test the entire gas line.

Electrical Connection

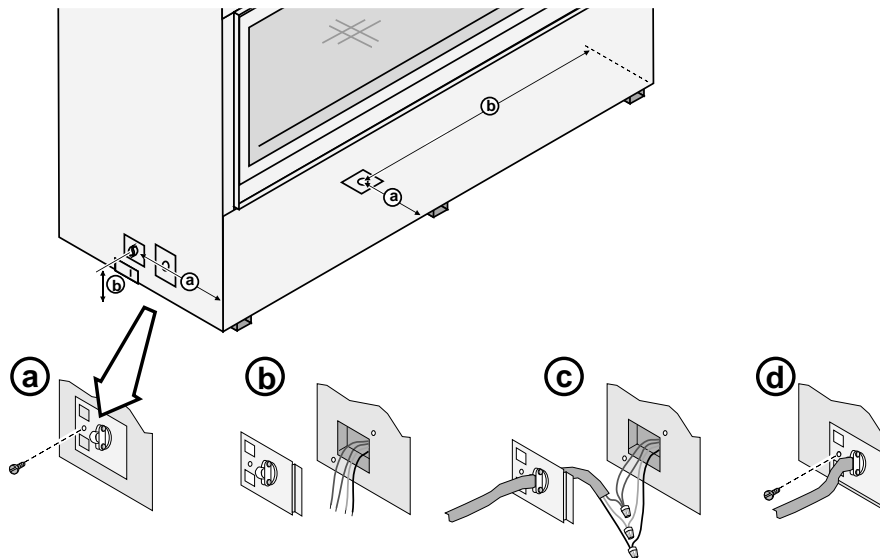
- The electrical line to the grounded receptacle inside the fireplace must be installed by a qualified installer and must meet all local codes.
- Make sure the household breaker is shut off prior to working on any electrical lines.
- The appliance, when installed, must be electrically grounded in accordance with local codes or, in the absence of local codes, with the National Electrical Code, ANSI/NFPA 70, or the Canadian Electrical Code, CSA C22.1.
- The electrical line must be a min. 14 gauge, and supply 120 Volts, 60 Hz (typical max amps: 5).
- Route the electrical connection through the junction box cover plate and attach to the hookup wires pictured below.

Caution: Label all wires prior to disconnection when servicing controls. Wiring errors can cause improper and dangerous operation.



Do not connect 110-120 VAC to the gas control valve or wiring system of this fireplace.

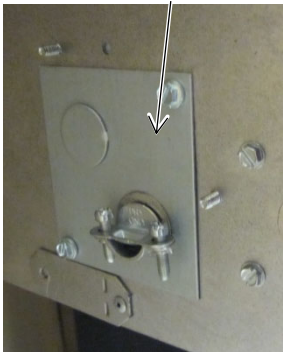
	a	b
Left Side Electrical Location (Stock)	9-1/2" (242mm)	4" (102mm)
Baseplate Electrical Location	6-7/8" (175mm)	27-5/8" (702mm)



Relocating the Electrical Line to the Baseplate

Remove the front panel (see page 16). Remove the junction box from the left side (keep the screws). Remove the cover plate from the baseplate (keep the screws). Attach the junction box to the baseplate (make sure all wiring is kept from contacting hot or moving components). Attach the cover plate to the left side.

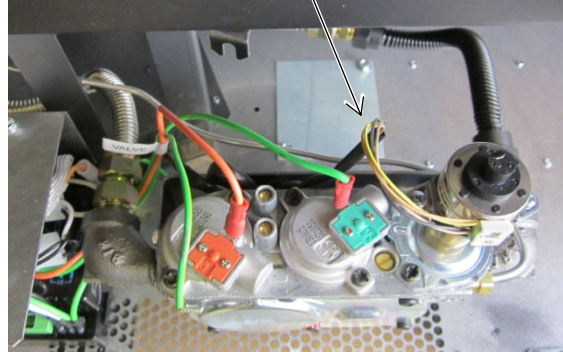
Junction Box



Junction Box (from inside fireplace)



Baseplate Cover Plate



Vent Requirements

- The gas appliance and vent system must be vented directly to the outside of the building, and never be attached to a chimney serving a separate solid fuel or gas-burning appliance. Each direct vent gas appliance must use its own separate vent system.
- In addition to the requirements listed here, follow the requirements provided with the vent.

Drafting Performance

This direct vent appliance requires natural draft to operate (similar to a wood stove or other heating appliance). Draft can be adjusted using the included restrictor. The restrictor settings detailed in the manual should be followed (variations may occur depending on installation parameters).

Many factors may negatively influence the draft of the appliance. Travis Industries will not be responsible for improper draft due to factors such as trees, hills, buildings, obstructions, excessive wind, extreme hot or cold outdoor temperatures, restrictive vent terminations, or influence from mechanical systems.

Vent Clearances

- The vent must maintain the required clearance to combustible materials to prevent a fire. Do not fill air spaces with insulation.

Minimum Vent Configurations (see page 27)

Minimum Clearance Above Vent	4" (104mm)
Minimum Clearance to Sides & Below Vent	1" (25mm)

NOTE: Make sure to use the included firestops with this configuration.

All Other Vent Configurations

Minimum Clearance to Vent	1" (25mm)
---------------------------	-----------

Vent Firestop

- A firestop is required whenever the vent penetrates a wall, floor, or ceiling (passes through framing members).

Altitude Considerations

- This heater has been tested at altitudes ranging from sea level to 6,000 feet (1800 M). In this testing, we have found that the heater, with its standard orifice, burns correctly with just an air shutter adjustment.
- Failure to adjust the air shutter properly may lead to improper combustion which can create a safety hazard. Consult your dealer or installer if you suspect an improperly adjusted air shutter.

Approved Vent

- Always use the high-wind cap. **The high-wind scone cap and the snorkel cap are not allowed.**
- Installation instructions for Simpson Dura-Vent may be found at www.duravent.com.

Minimum Vent Configurations (see page 27)

Use 8" diameter Simpson Dura-Vent Model Direct-Vent Pro (or GS)*.

All Other Vents

Use 8" or 6-5/8" diameter Simpson Dura-Vent Model Direct-Vent Pro (or GS)* (see vent configuration for details).

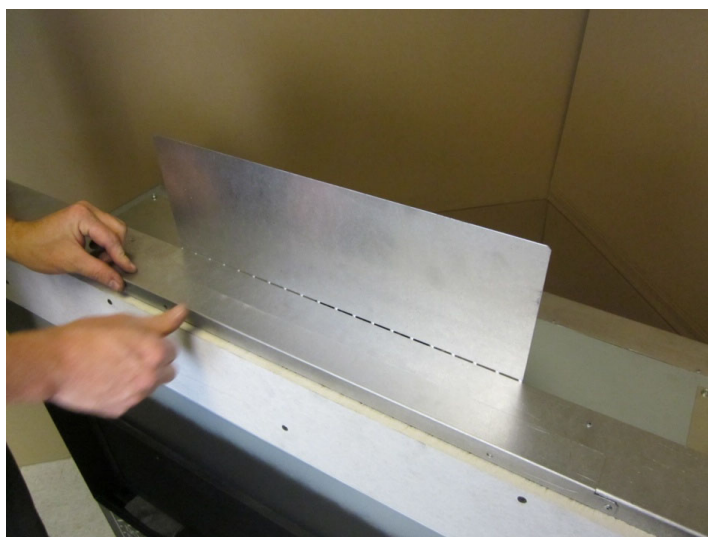
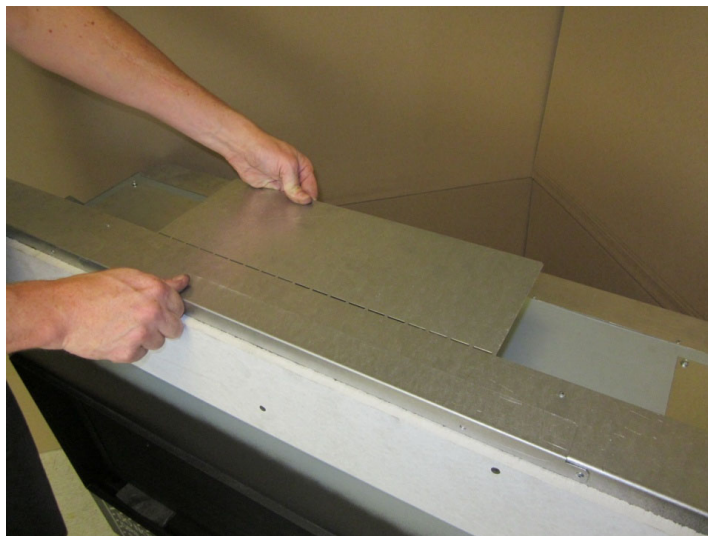
* Other vent may be approved with this fireplace. Check with the vent manufacturer for details).

Vent Installation

- Slide the vent sections together and turn 1/4 turn until the sections lock in place.
- Screws are not required to secure the vent. However, three screws may be used to secure vent sections together if desired.
- High temperature sealant is recommended at the appliance starter section connection (use high-temperature silicone or Mill-Pac®).
- If disassembly is required, at the time of re-assembly check to see if the vent creates a tight fit. If it does not, apply high temperature sealant to the joints of the affected sections.
- Horizontal sections require a 1/4" (6mm) rise every 12" (305mm) of travel.
- Horizontal sections require non-combustible support every three feet (e.g.: plumbing strap).
- Vent termination must not be located where it can become plugged by snow or other material.
- Use the vinyl siding standoff when installing on a structure with vinyl siding.
- Venting termination shall not be recessed into a wall or siding.

Vertical Pipe Shield

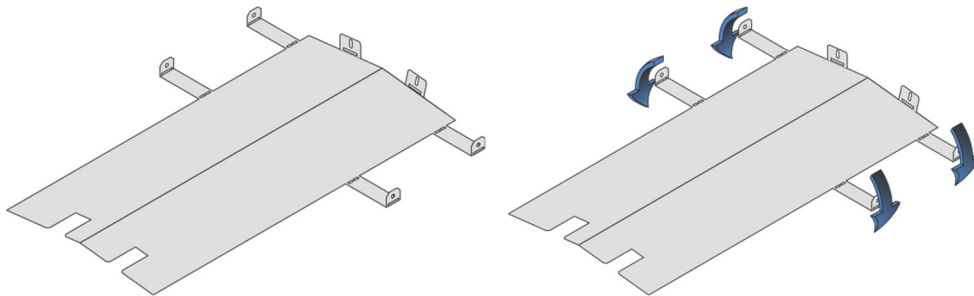
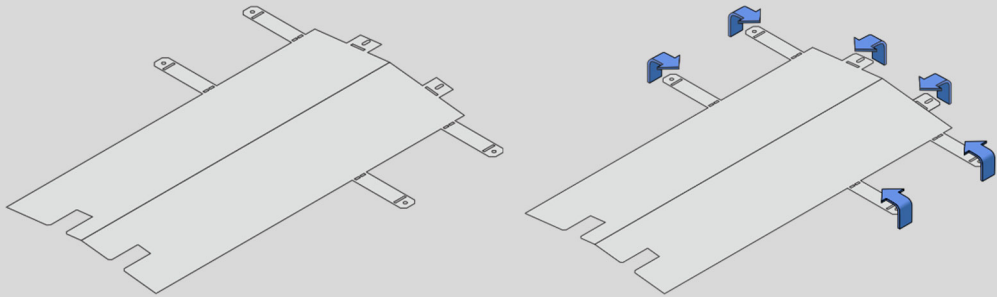
The vertical pipe shield must be bent to a vertical position after the fireplace is in position.



Minimum Vent Pipe Shield – Preparing the Shield

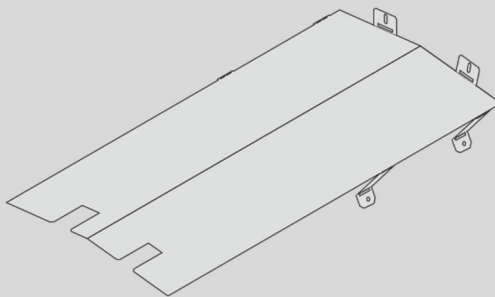
NOTE: This pipe shield is only used when venting the fireplace using the minimum vent configuration. If not using a minimum vent configuration, the shield may be discarded.

- Locate the min. vent pipe shield shipped with the fireplace. Use a pair of pliers to bend the tabs indicated to the right. To start with bend the tabs to approximately 90°. The angles will be adjusted later when installing the shield over the pipe.



- Next, bend the legs down as shown to the left. The angle of the legs will be fine-adjusted when installing the shield over the pipe but should be approximately 40° - 45°.

- The pipe shield should now look like the images to the right.



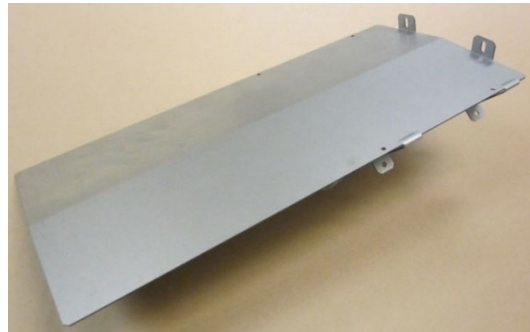
End View of Pipe Shield



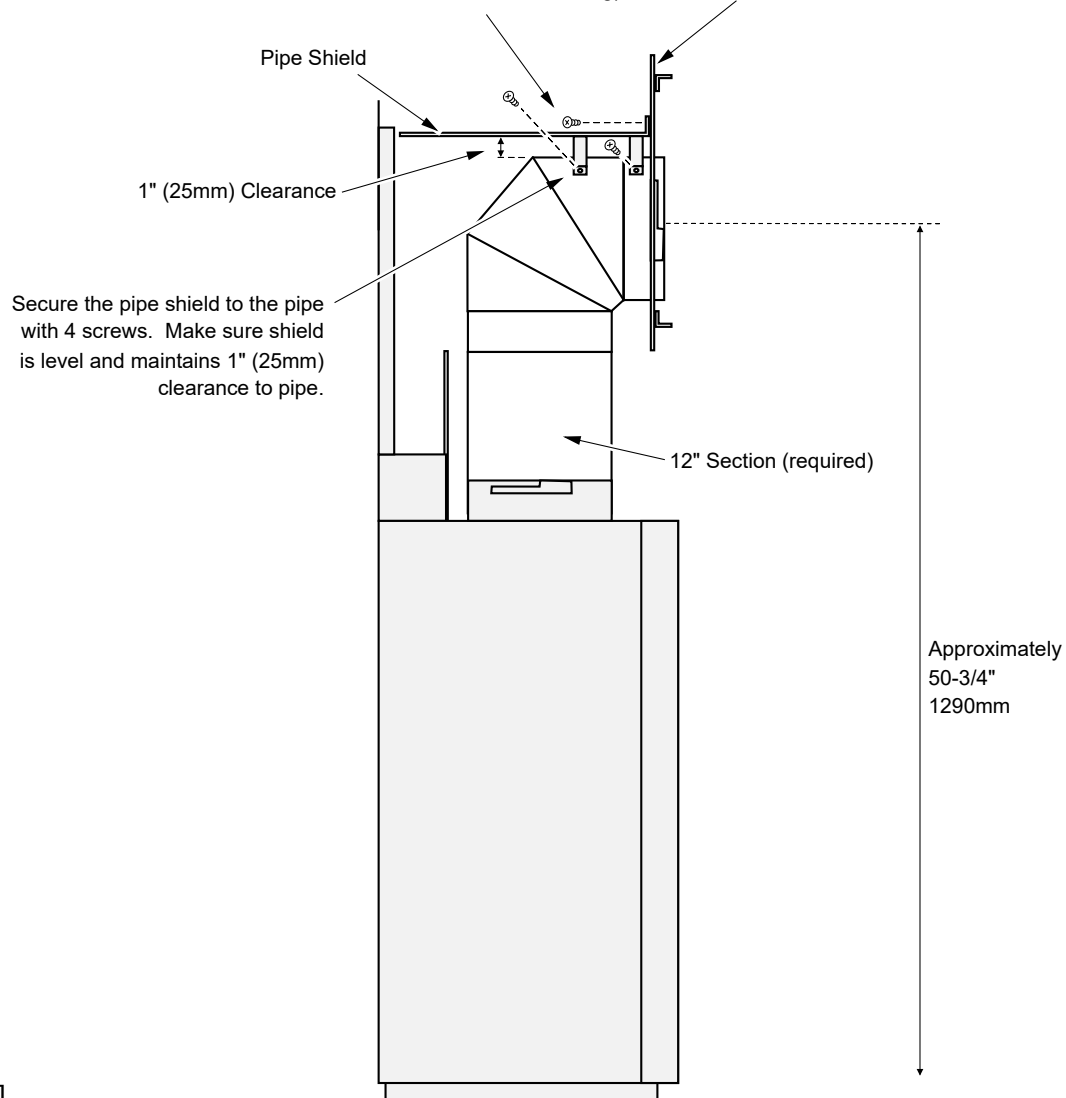
Minimum Vent Pipe Shield – Used for Minimum Vent Applications Only

The minimum vent pipe shield is required when running minimum vent configurations (see page 27). The shield is shipped with the fireplace loose and must be installed as shown below.

HINT: Adjust the angle of the legs to maintain the required minimum 1" (26mm) air space between the shield and the top of the pipe.



Secure the pipe shield to the firestop (mounting holes are slotted to allow for leveling).



1

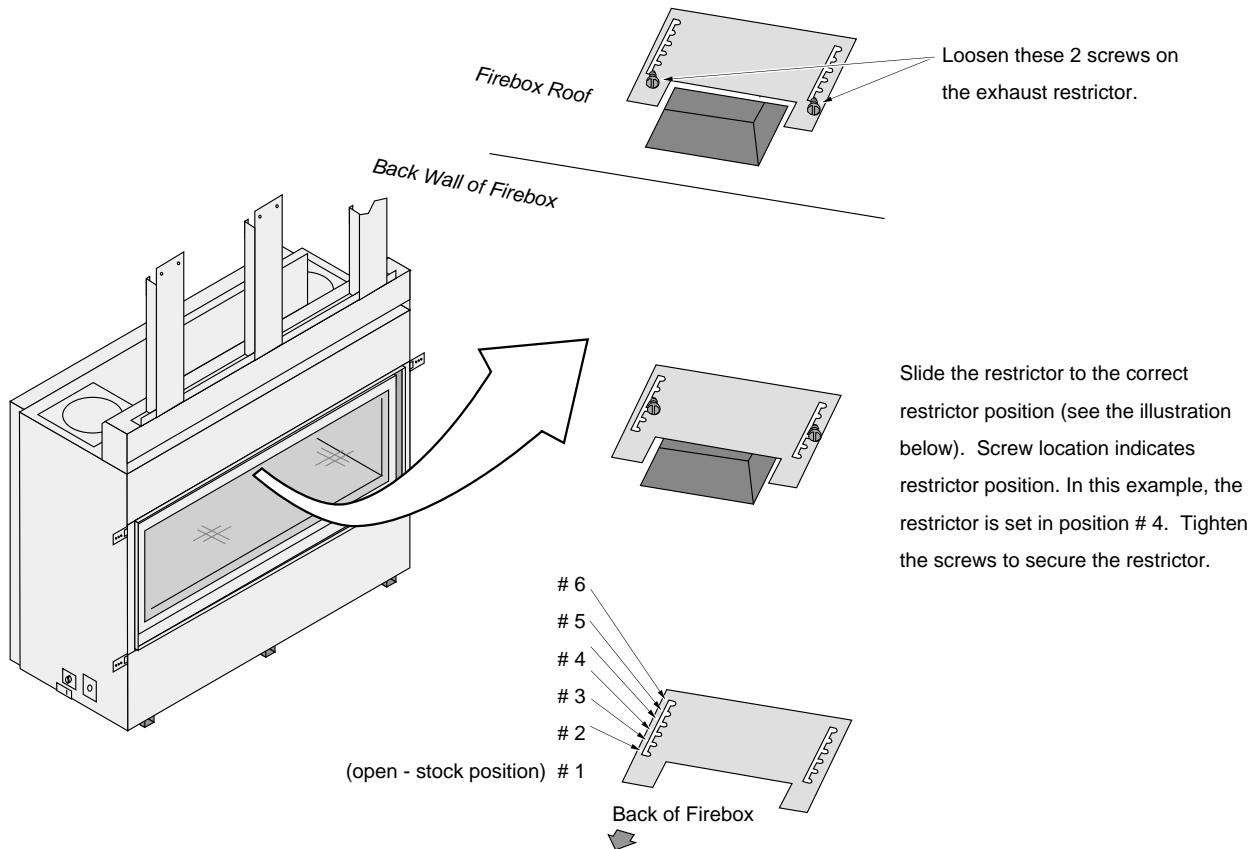
Approved Vent Configurations

Restrictor Position

- Intake and exhaust restrictors are built into the appliance to adjust the flow rate of intake air and exhaust gases. Depending upon the vent configuration, you may be required to adjust the restrictor positions. The charts for vent configurations detail the correct vent restrictor positions.

Exhaust Restrictor

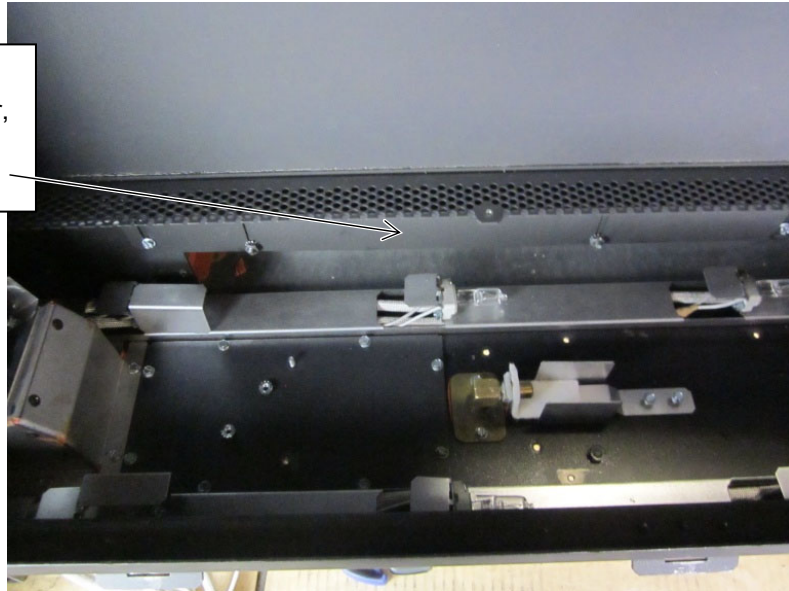
NOTE: Certain vent configurations call for exhaust restrictor removal (position # 0). If this is the case, remove the exhaust restrictor and replace the attachment screws in the firebox ceiling.



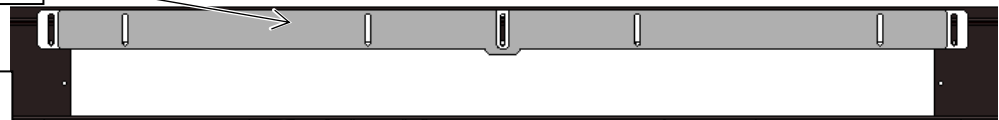
Intake Restrictor

The intake restrictor is accessed by removing the burner (see LP Conversion Instructions on page 53 for details). The intake restrictor is shipped in the open position (position # 1). Follow the directions below to change the intake restrictor to position # 2 or # 3.

The intake restrictor is located behind the burner, on the rear wall of the firebox.

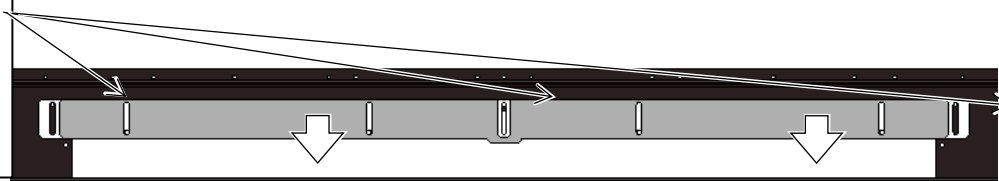


Position # 1 (stock - open)



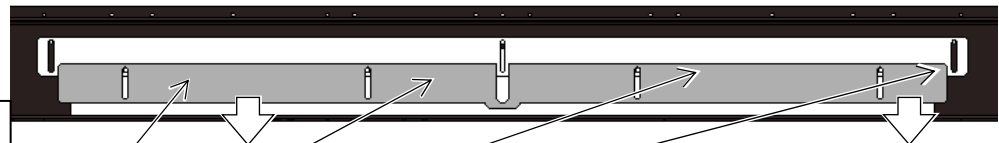
Position # 2

Loosen the three screws shown to the right (1/4" nutdriver). Then slide the restrictor down and re-tighten the screws.



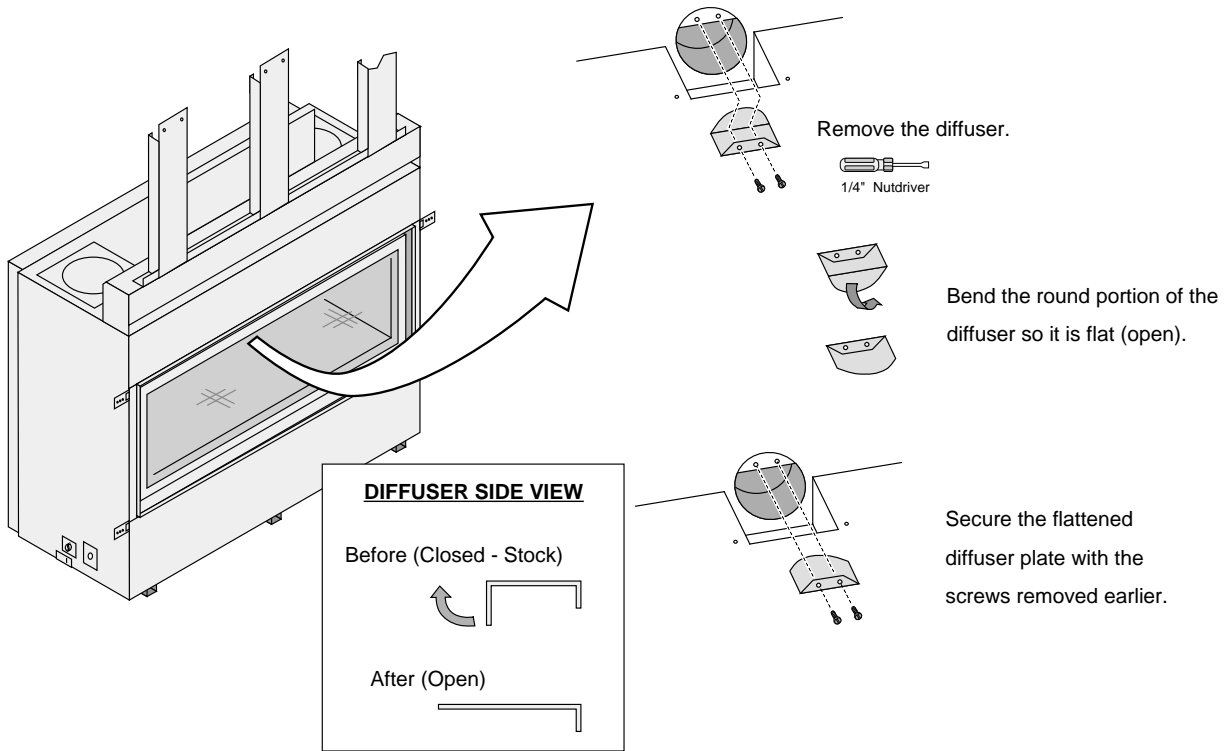
Position # 3

Follow the directions above for position # 2. Then loosen the four nuts shown to the right (11/32" nutdriver). Then slide the restrictor extension down and re-tighten the nuts.



Diffuser

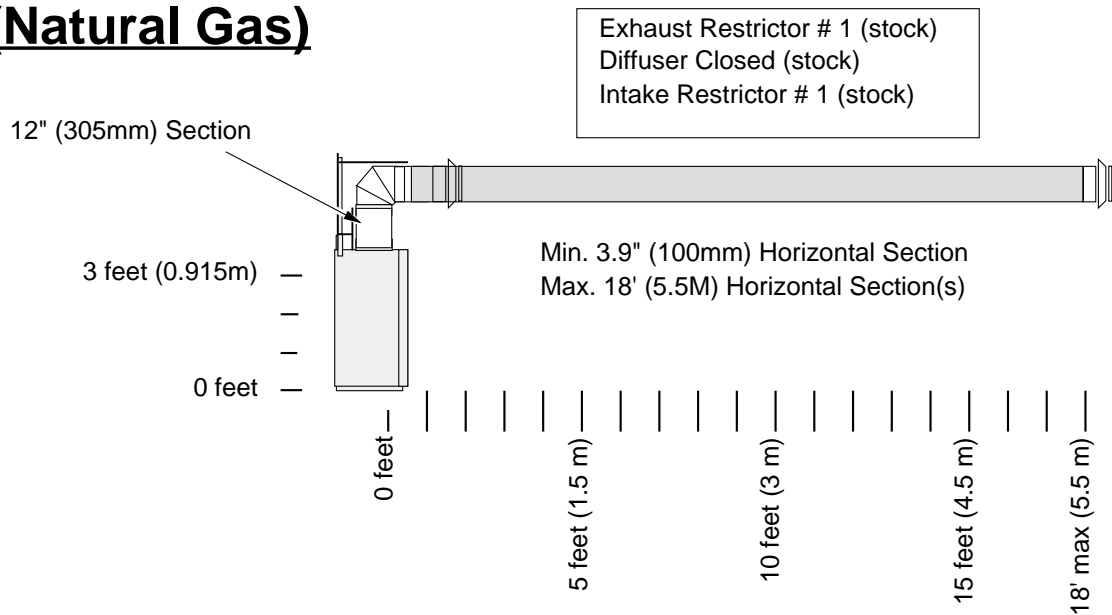
The diffuser is located inside the inner flue assembly (accessed by removing the exhaust restrictor).



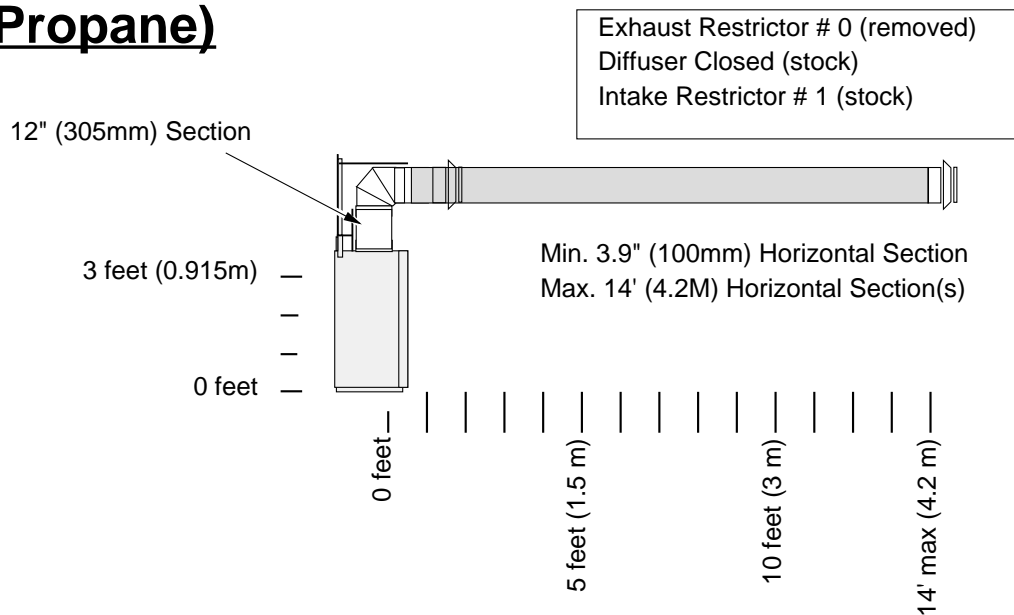
Minimum Vent Configuration

- **Use 5x8” Diameter Coaxial Vent**
- **NOTE:** Use the included pipe shield and both 8” firestops (use on front and back of wall penetration).
- The termination must fall within the shaded area shown in the chart. Use the indicated restrictor positions.
- One (30° or 45°) elbow may be used on the horizontal run.
- **HINT:** Use minimum vent kit “H” (96200332) from Travis Industries (additional vent may be required).

NG (Natural Gas)

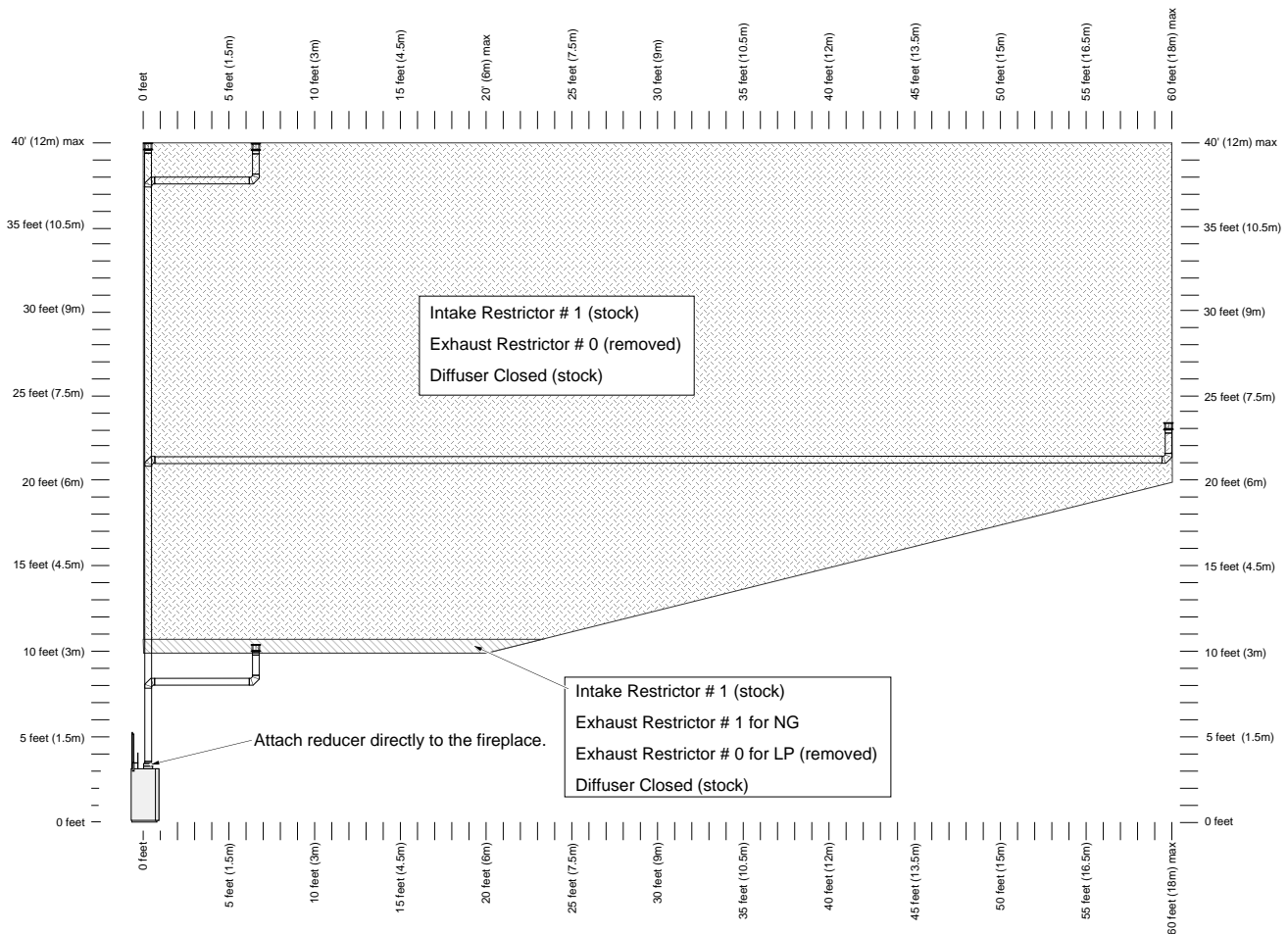


LP (Propane)

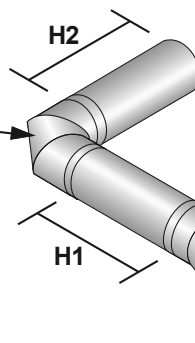


Vent Configuration: Vertical Termination

- **Use 4x6-5/8" Diameter Coaxial Vent. Connect an 8" to 6-5/8" reducer directly to the fireplace (sku 98900165).**
- **NOTE:** The included pipe shield is not required and may be discarded. The included firestops may be discarded.
- The termination must fall within the shaded area shown in the chart. Use the indicated restrictor positions.
- Up to five elbows (30°, 45°, 60° or 90°) may be used. Only one horizontal elbow may be used.



This is considered a horizontal elbow (it doesn't matter whether it turns right or left). It may be a 30°, 45°, 60°, or 90° elbow.

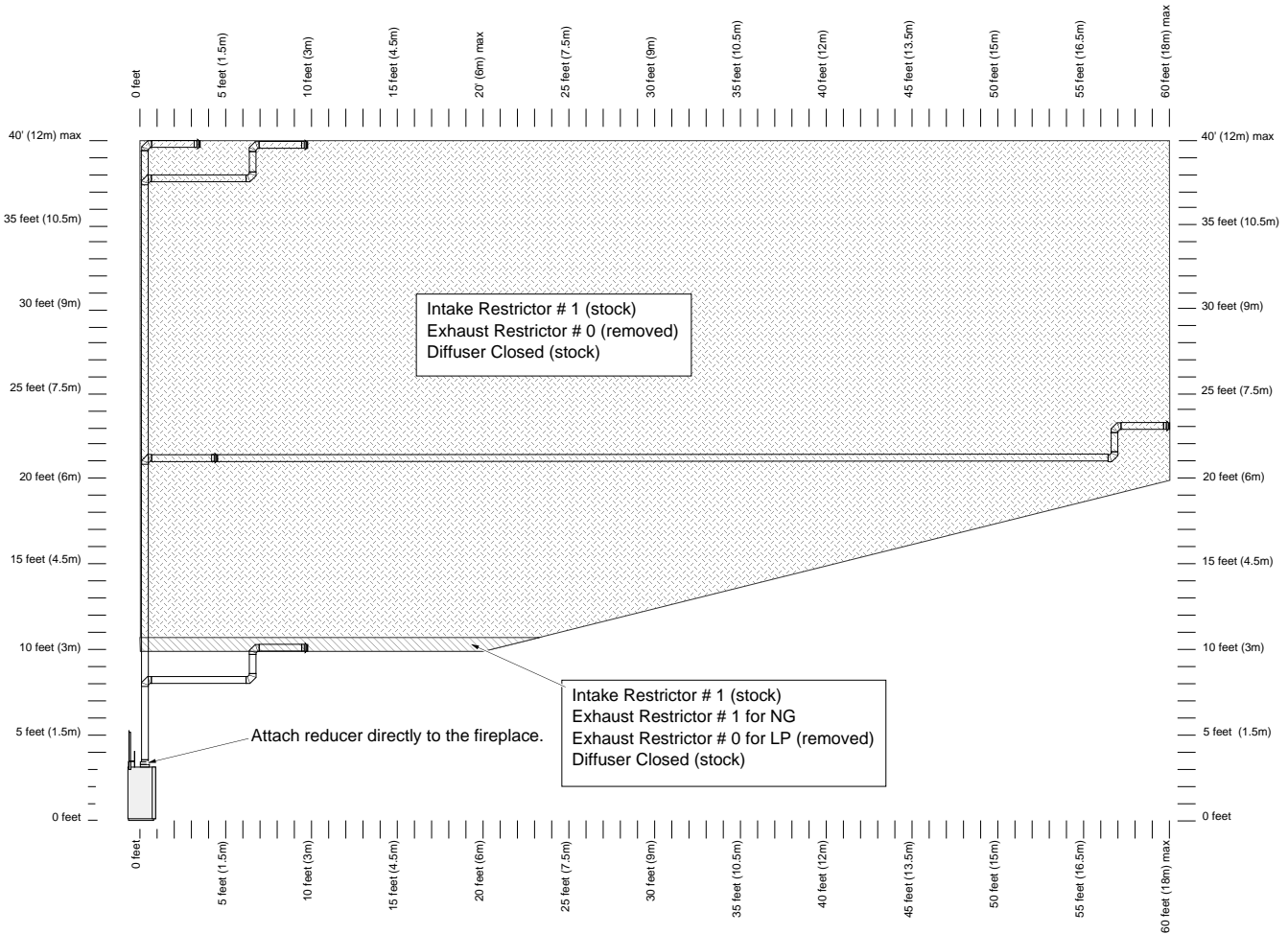


Horizontal length is calculated by adding both lengths of horizontal run (Horizontal Length = H1 + H2).

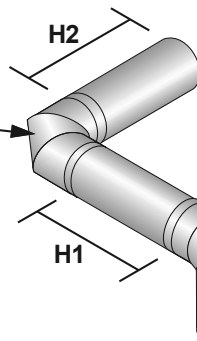
This is considered a vertical elbow.

Vent Configuration: Horizontal Termination with Vertical Rise

- **Use 4x6-5/8" Diameter Coaxial Vent. Connect an 8" to 6-5/8" reducer directly to the fireplace (sku 98900165).**
- **NOTE:** The included pipe shield is not required and may be discarded. The included firestops may be discarded.
- The termination must fall within the shaded area shown in the chart. Use the indicated restrictor positions.
- Up to 3 elbows (30°, 45°, 60° or 90°) may be used. Only one horizontal elbow may be used.



This is considered a horizontal elbow (it doesn't matter whether it turns right or left). It may be a 30°, 45°, 60°, or 90° elbow.

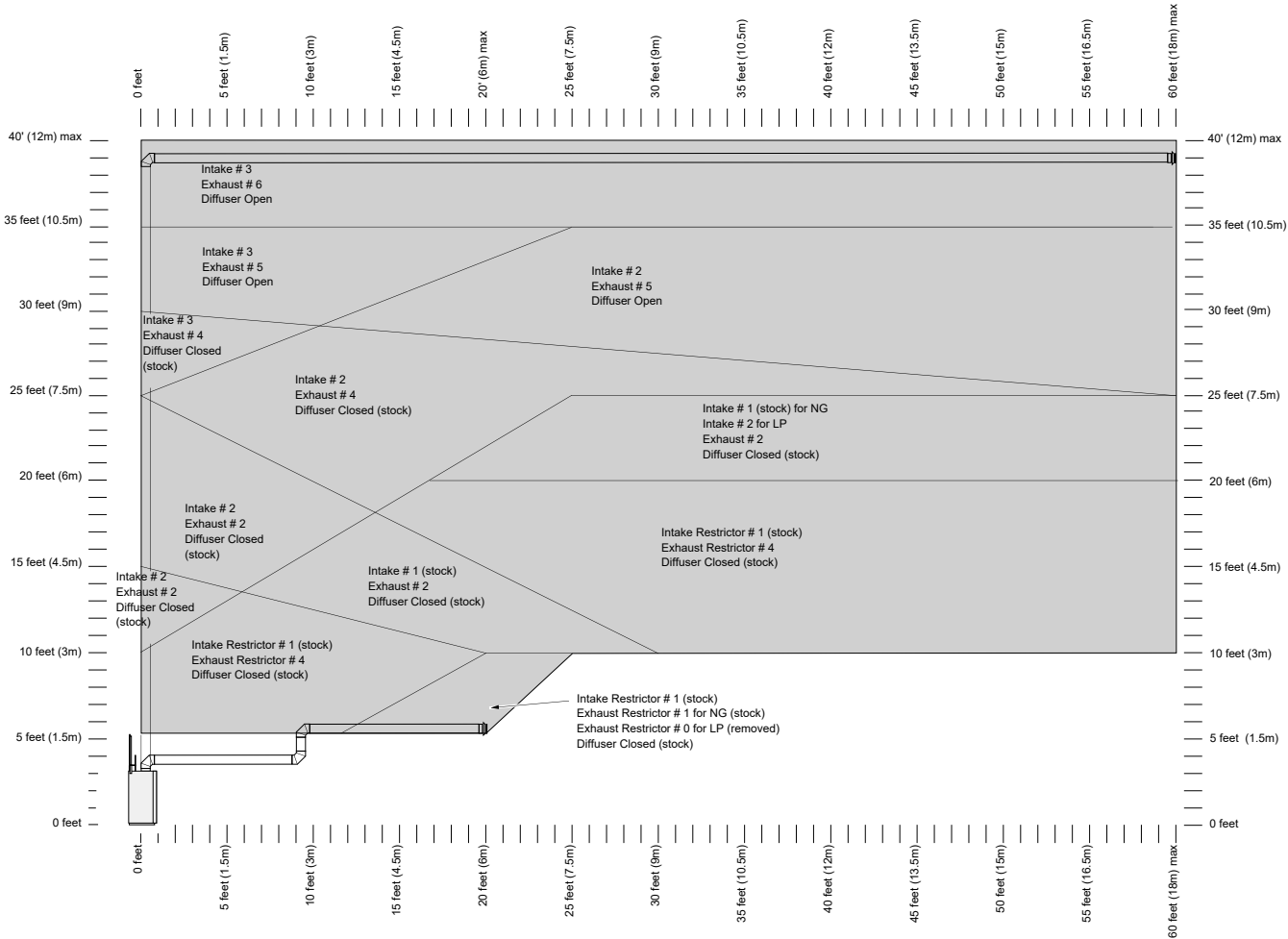


Horizontal length is calculated by adding both lengths of horizontal run (Horizontal Length = H1 + H2).

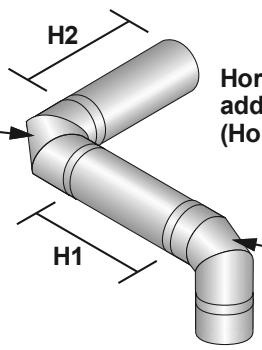
This is considered a vertical elbow.

Vent Configuration: Horizontal Termination with Vertical Rise – 8” Vent

- **Use 5x8” Diameter Coaxial Vent**
- **NOTE:** Use the included firestop (s). The included heat shield may be discarded.
- The termination must fall within the shaded area shown in the chart. Use the indicated restrictor positions.
- Up to 3 elbows (30°, 45°, 60° or 90°) may be used. Only one horizontal elbow may be used.
- **HINT:** Use minimum vent kit “H” (96200332) from Travis Industries (additional vent may be required).



This is considered a horizontal elbow (it doesn't matter whether it turns right or left). It may be a 30°, 45°, 60°, or 90° elbow.



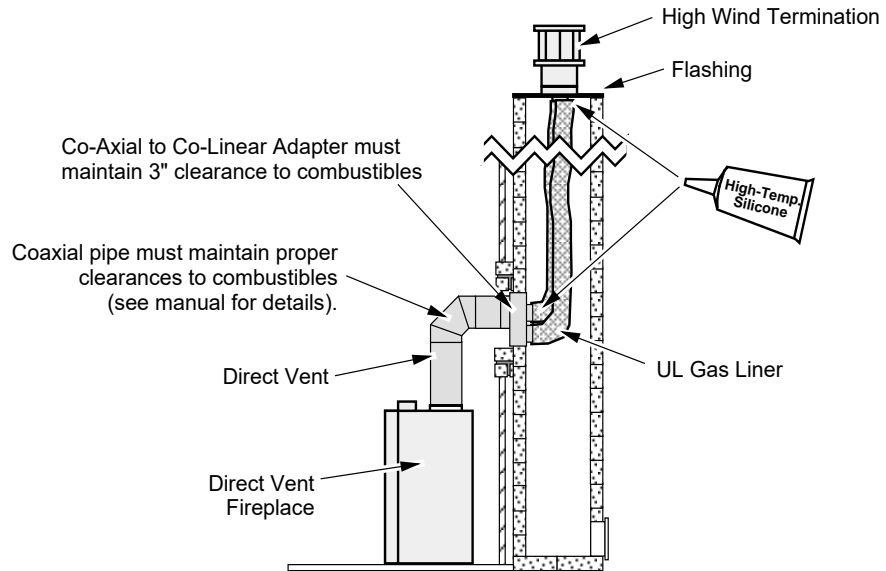
Horizontal length is calculated by adding both lengths of horizontal run (Horizontal Length = H1 + H2).

This is considered a vertical elbow.

Masonry Chimney Conversions

The vent may be adapted to utilize an existing masonry fireplace using the Duravent Co-Linear Adapter (sku#96200328). The vent must be installed following all directions included with the vent and those listed below:

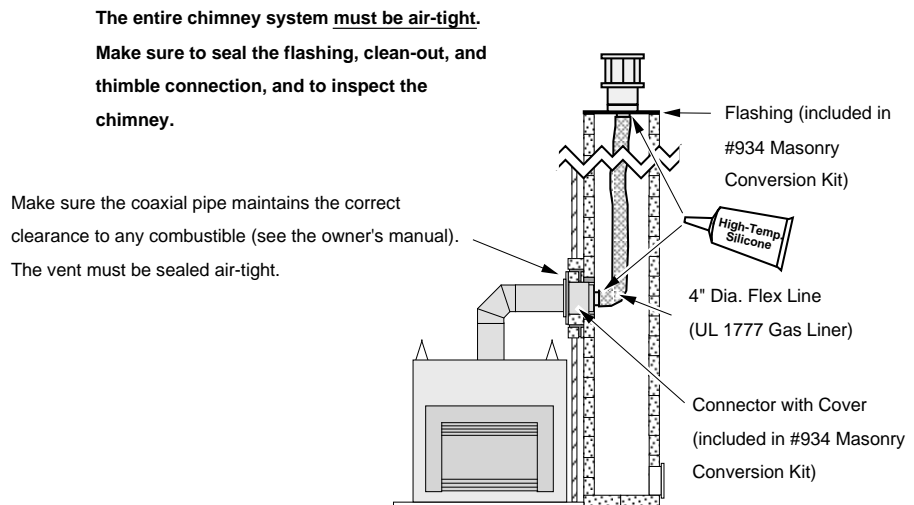
- All requirements in the appliance manual must be met. This includes compliance with vent configuration charts.
- The restrictor position should be set to the position that most closely resembles the vent configuration. **NOTE:** Because this installation utilizes non-standard vent, the restrictor position may vary. Carefully monitor the burn characteristics to verify correct restrictor position.
- The UL gas liner must only be run through the fireplace/chimney (entire length of liner must be retained within the fireplace/chimney). Do not run the liner near combustibles.



This appliance may utilize 6-5/8" diameter direct vent manufactured by Duravent (reducer may be required). The vent may be adapted to utilize an existing masonry fireplace using the Duravent Masonry Chimney Conversion Kit (part # 46DVA-KMC). The vent must be installed following all directions included with the vent and those listed below:

NOTE: Before proceeding with the following installation example, check with the local building jurisdiction to verify that this type of installation is allowed in your area.

- All requirements in the appliance manual must be met. This includes compliance with vent configuration charts.
- The restrictor position should be set to the position that most closely resembles the vent configuration. **NOTE:** Because this installation utilizes non-standard vent, the restrictor position may vary. Carefully monitor the burn characteristics to verify correct restrictor position.
- The UL gas liner must only be run through the fireplace/chimney (entire length of liner must be retained within the fireplace/chimney). Do not run the liner near combustibles.



Class A Chimney Conversion

Duravent provides a conversion kit for those wishing to use an existing class A chimney to vent this direct fireplace. The illustration below gives an overview of this type of installation. See the instructions included with the kit for details.

- All requirements in the appliance manual must be met. This includes compliance with vent configuration charts. Remember to set the restrictor position to the correct position (based on the vertical rise height - see the vent charts in the appliance manual).
- These conversion kits do not work on interior masonry chimneys.
- The measurements below refer to the Chimney Inside Diameter

Chimney Conversion Kit A (46DVA-KCA)

6" DuraTech
6" Security Chimney
6" Metalbestos
6" Jackes-Evans
6" Hart & Cooley
6" Pro-Jet

Chimney Conversion Kit B (46DVA-KCB)

6" DuraPlus
7"-8" DuraTech
8" Security Chimneys
7"-8" Metalbestos
7"-8" Jackes-Evans
7"-8" Hart & Cooley
7"-8" Pro-Jet
6"-7" Amer. Metals
6"-7" Metal-Fab
6" Air-Jet

Chimney Conversion Kit C (46DVA-KCC)

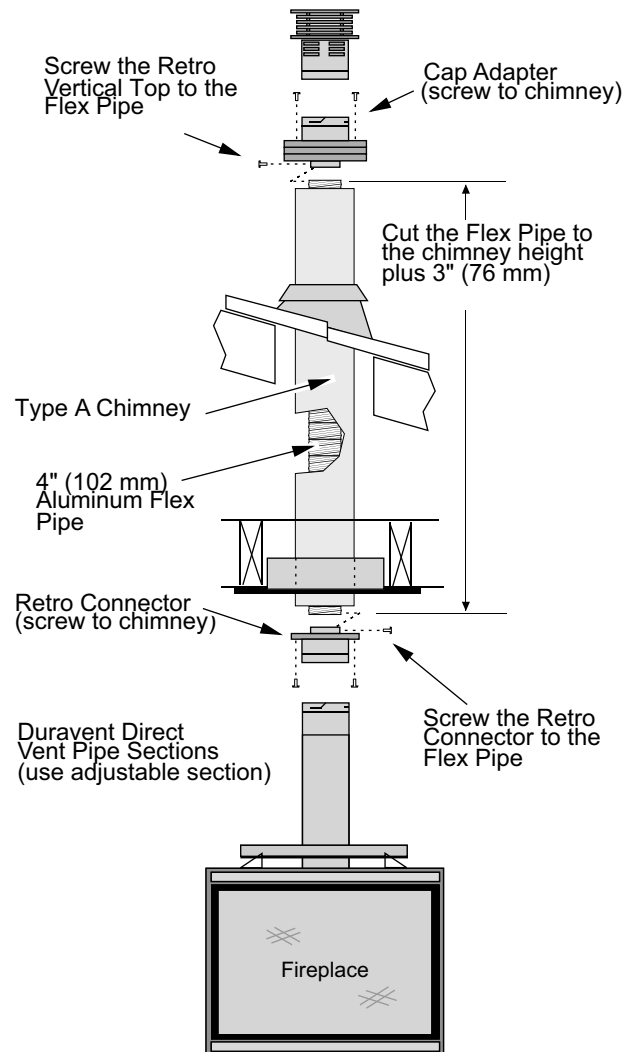
7"-8" DuraPlus
8" American Metals
8" Air-Jet
8" Metal-Fab

Each Kit Contains:

Cap Adapter
Retro Connector

Additional Required Equipment:

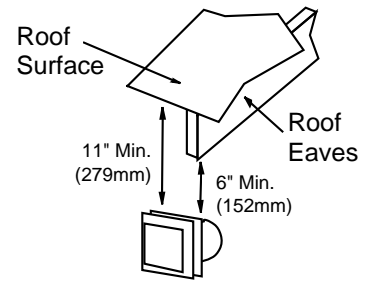
4" Flex (#711 or U.L. 1777)
Termination (46DVA-VCH)
Co-Axial Sections



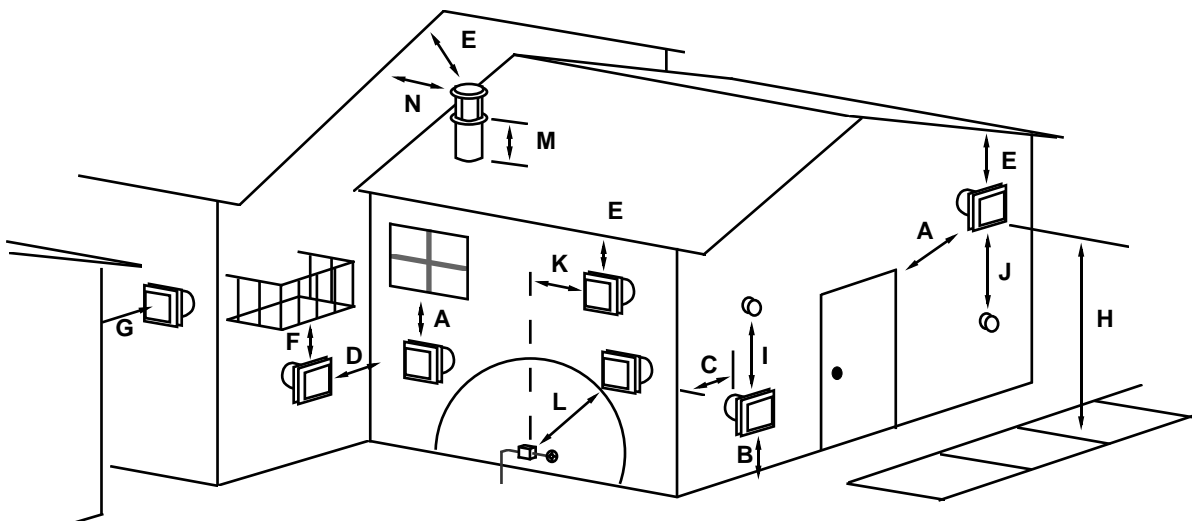
Termination Requirements

! Venting terminals shall not be recessed into a wall or siding.

- A Minimum 9" (229mm) clearance from any door or window
- B Minimum 12" (305mm) above any grade, veranda, porch, deck, or balcony
- C Minimum 1" (25mm) from outside corner walls
NOTE: Clearance in accordance with local installation codes and the requirements of the gas supplier.
- D Minimum 1" (25mm) from inside corner walls
NOTE: Clearance in accordance with local installation codes and the requirements of the gas supplier.



- E Minimum 11" (279mm) clearance below unventilated soffits or roof surfaces
Minimum 18" (457mm) clearance below ventilated soffits
Minimum 6" (152mm) clearance below roof eaves
NOTE: Vinyl surfaces require 24" (610mm)
NOTE: Clearance in accordance with local installation codes and the requirements of the gas supplier.
- F Minimum 12" (305mm) clearance below a veranda, porch, deck, or balcony
NOTE: Permitted only if veranda, porch, deck, or balcony is fully open on a minimum of two sides beneath the floor.
NOTE: Clearance in accordance with local installation codes and the requirements of the gas supplier.
- G Minimum 48" (1219mm) clearance from any adjacent building
- H Minimum 84" (2134mm) clearance above any grade when adjacent to public walkways or driveways
NOTE: may not be used over a walkway or driveway shared by an adjacent building
- I Minimum 9" (229mm) clearance to any non-mechanical air supply inlet to the building or the combustion air inlet to any other appliance.
- J Minimum 36" (914mm) clearance above any mechanical air supply inlet if within 10' (3M) horizontally
- K Minimum 36" (914mm) from the area above the meter/regulator (vent outlet) - this extends 15' (4.5M) above the regulator
NOTE: Clearance in accordance with local installation codes and the requirements of the gas supplier.
- L Minimum 36" (914mm) from the meter/regulator (vent outlet)
NOTE: Clearance in accordance with local installation codes and the requirements of the gas supplier.
- M Minimum 12" (305mm) above the roof line (for vertical terminations)
- N Minimum 24" (610mm) horizontal clearance to any surface (such as an exterior wall) – for vertical terminations

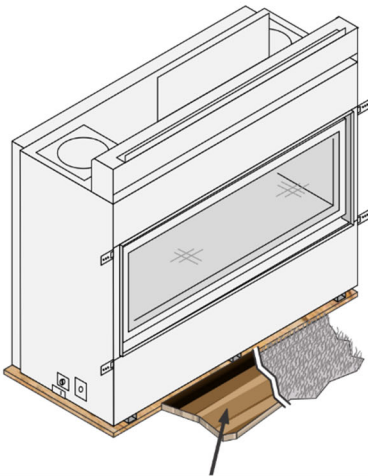


NOTE: Measure clearances to the nearest edge of the exhaust hood.

Hearth Requirements

- If installed near carpet or other combustible flooring, the fireplace must be raised so the base of the unit is above the carpet surface or flooring material. If the heater is installed at floor level, we recommend a non-combustible hearth to protect the flooring surface from discoloration or other negative impacts from the heater.
- A non-combustible hearth may be constructed in front of the fireplace (see illustration below).

No Hearth

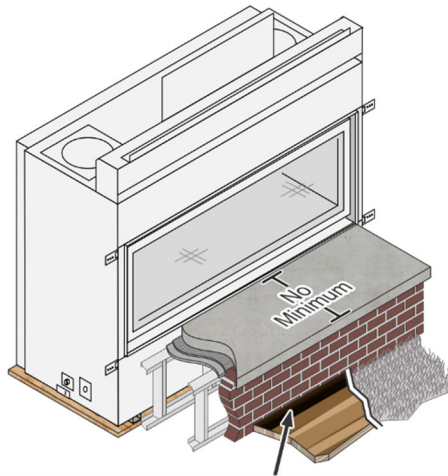


If installed near carpet or other combustible flooring, the fireplace must be raised so the base of the unit is above the carpet surface or flooring material.

WARNING:

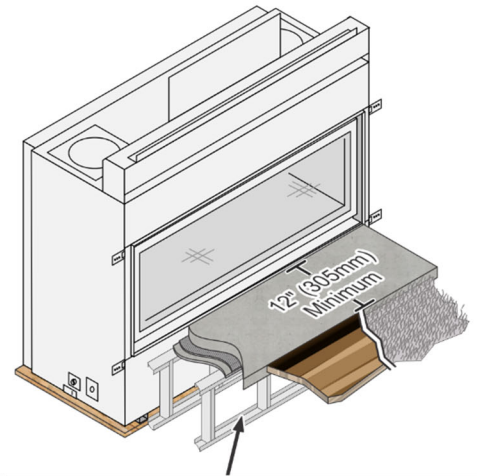
A non-combustible hearth is not required. However, if the heater is installed next to the floor, we recommend a hearth to protect the flooring surface from discoloration or other negative impacts from the heater.

Raised Hearth



A hearth may be installed in front of the fireplace and may cover the lower portion of the fireplace up to, but not above the fireplace opening. If a hearth is installed in this manner, the hearth must be entirely constructed of non-combustible material (framing, sheeting, and finish material). There is not minimum hearth depth requirement for this type of installation and combustible flooring may be installed up to the front of the hearth as shown above.

Recessed Fireplace



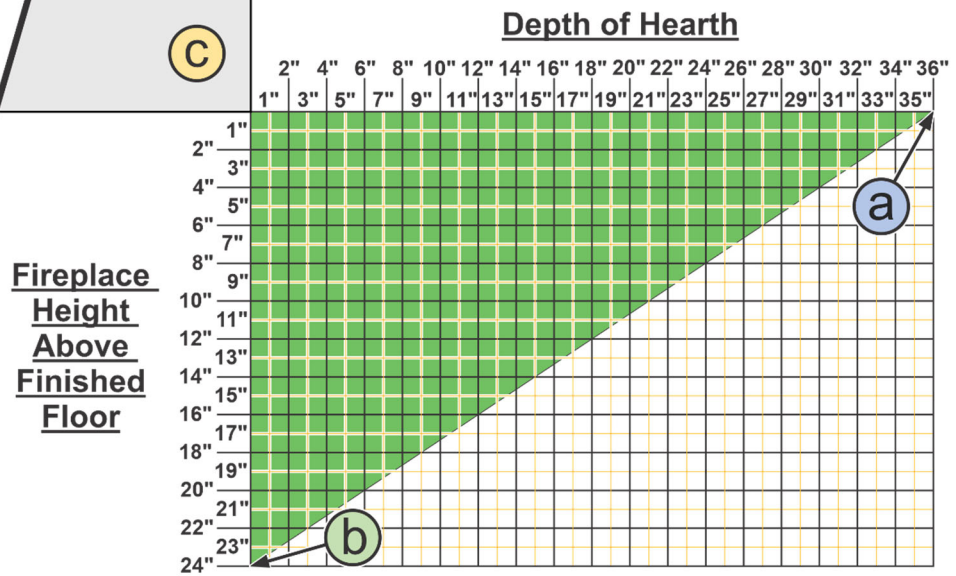
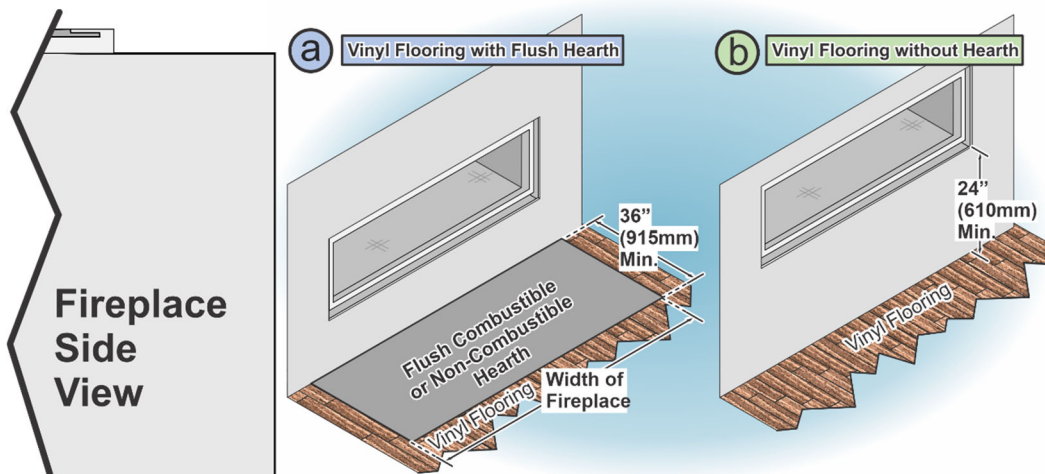
If the fireplace will be installed so that it is recessed into the floor and the combustible flooring will be on the same level as the non-combustible hearth, the hearth must be entirely constructed of non-combustible material (framing, sheeting, and finish material). For this type of installation, the hearth must be a minimum of 12" (305mm) deep and must not extend above the fireplace opening.

Vinyl Flooring Hearth Recommendations

Vinyl flooring such as Luxury Vinyl Plank (LVP), Luxury Vinyl Tile (LVT), and other vinyl flooring can be sensitive to radiant heat and changes in temperature. If using vinyl flooring, we recommend installing the fireplace following the guidelines below. If these recommendations are not followed, the heat from the fireplace may cause discoloration, warping or other negative impacts.

NOTE: If using one of the hearth options, make sure to maintain the gap recommended by the manufacturer between the flooring and the hearth. Seal the gap with a flexible caulk to allow for expansion and contraction of the flooring.

a	b	c
Install the fireplace at floor level with a 36" (915mm) deep flush hearth (either combustible or noncombustible). The minimum width of the hearth is equal to the width of the outer zero-clearance box of the fireplace	Elevate the fireplace 24" (610mm) above the vinyl floor and no hearth is required. The vinyl flooring can be installed up to the wall.	Determine the height that the fireplace will sit above the finished floor and use the chart to the right to determine the minimum recommended hearth depth.

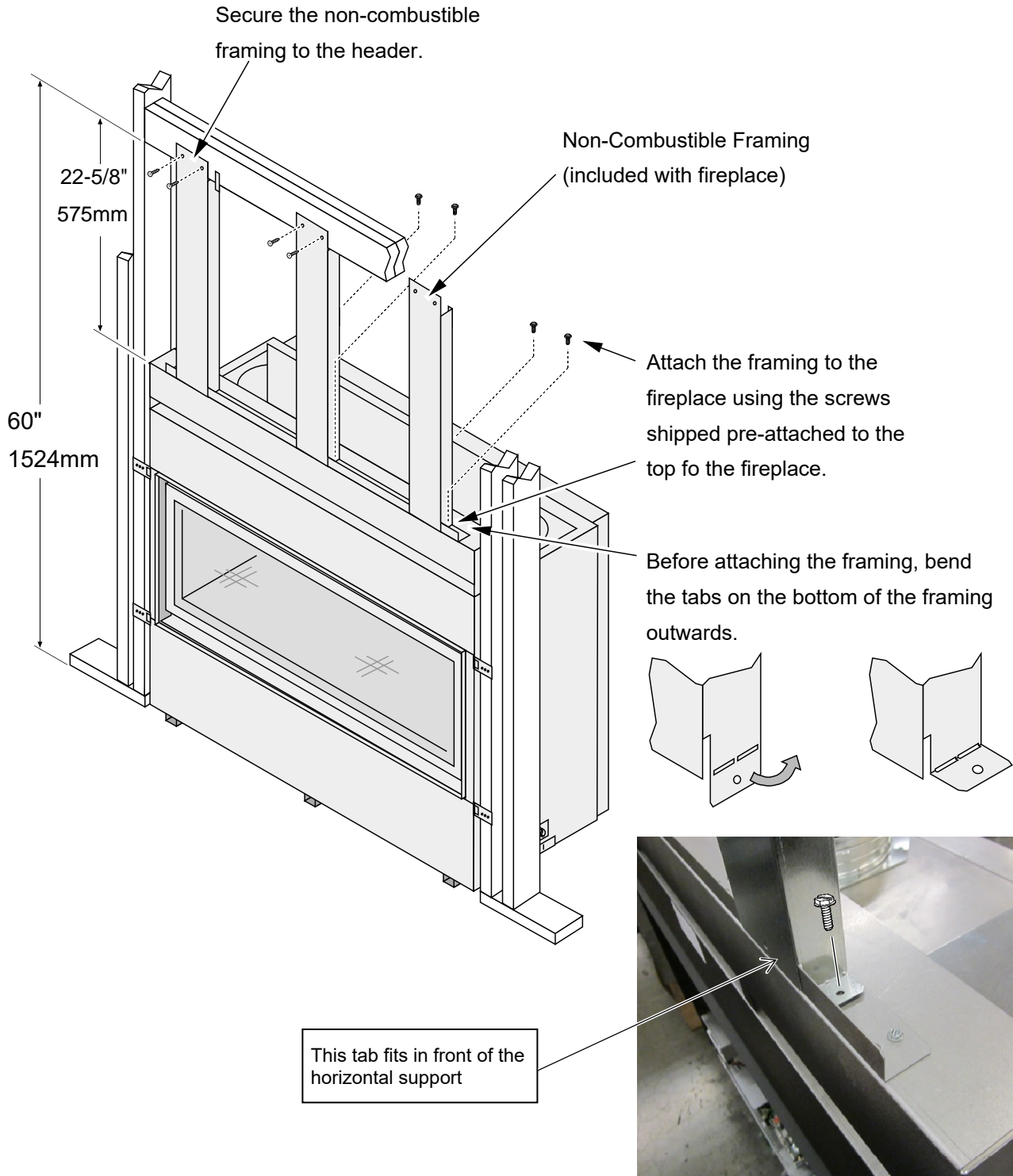


Imperial to Metric Conversion Chart

Inch	1"	2"	3"	4"	5"	6"	7"	8"	9"	10"	11"	12"	13"	14"	15"	16"	17"	18"
mm	25	51	77	102	127	153	178	204	229	254	280	305	331	356	381	407	432	458
Inch	19"	20"	21"	22"	23"	24"	25"	26"	27"	28"	29"	30"	31"	32"	33"	34"	35"	36"
mm	483	508	534	559	585	610	635	661	686	712	737	762	788	813	839	864	889	915

Non-Combustible Framing (included)

- The fireplace includes non-combustible framing members. Attach them to the fireplace and framing following the directions below.
 - 1) Remove the screws on top of the fireplace used to secure the framing members (see illustration below).
 - 2) Place the framing members in place and secure using the screws removed in step 1.
 - 3) Secure the framing to the header.



Facing Requirements

- Non-combustible facing must extend from the base of the fireplace to the top of the horizontal support (37-3/8" above the base). See illustration below for details.
- Non-combustible facing must extend the entire width of the unit to the framing opening on both sides.
- Do not place facing over the glass opening.
- Drywall (or other combustible) may be placed above the horizontal support (37-3/8" above the base of the fireplace) and to the sides of the framing opening.

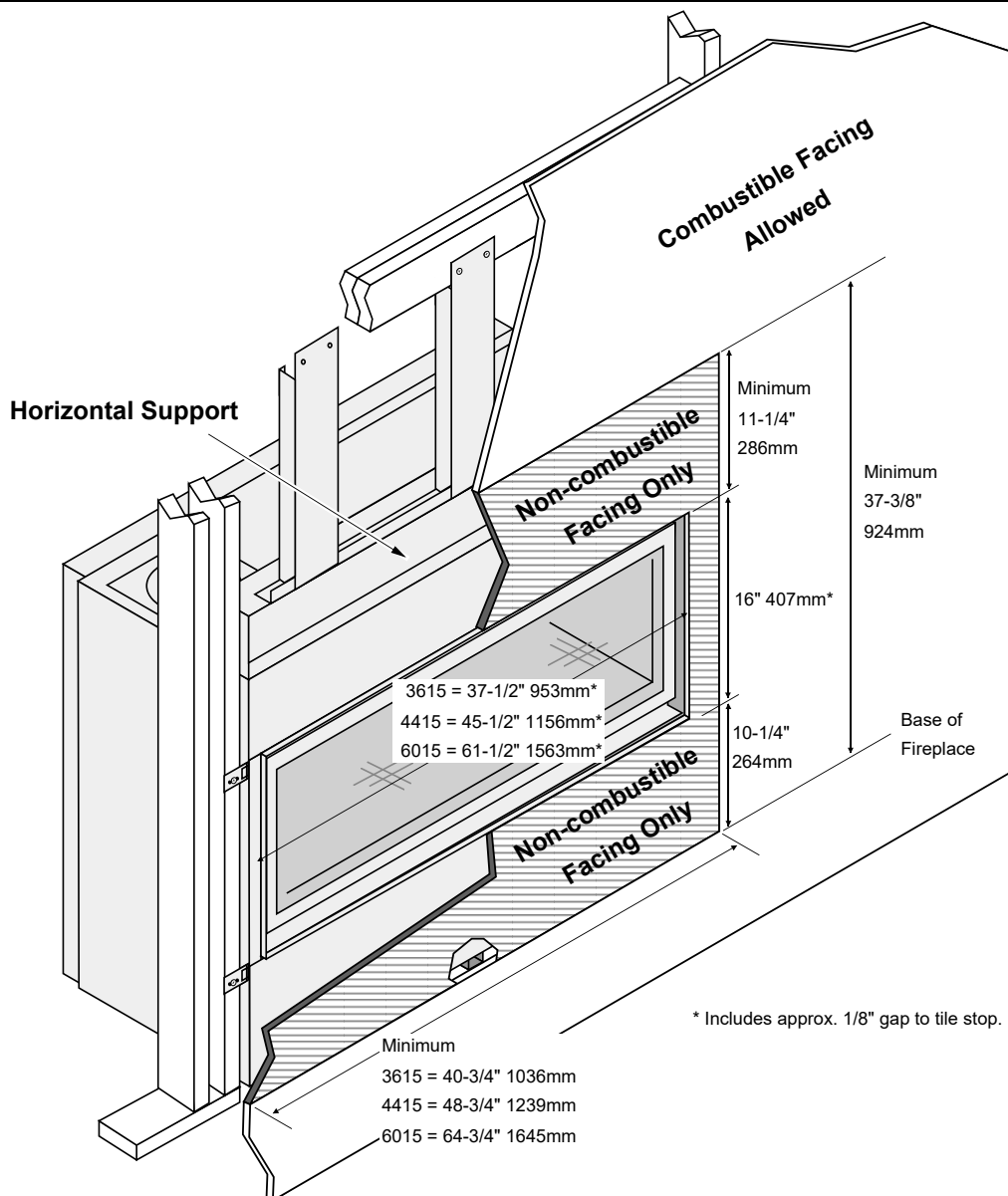
WARNING: Do not place drywall or other combustibles over the front of the fireplace.



WARNING: Do not use adhesive, "modified thinset", or any product with a polymer additive to secure facing directly to the fireplace or the walls near the fireplace. The high temperatures near the appliance will cause adhesives to emit odors. Use thinset (also called thinset mortar, thinset cement, dryset mortar, or drybond mortar) to attach the facing.

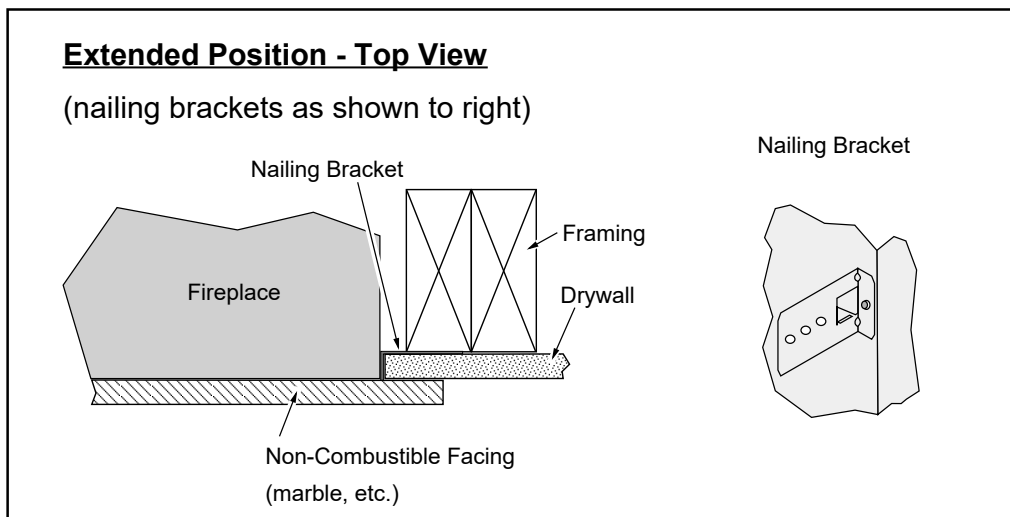
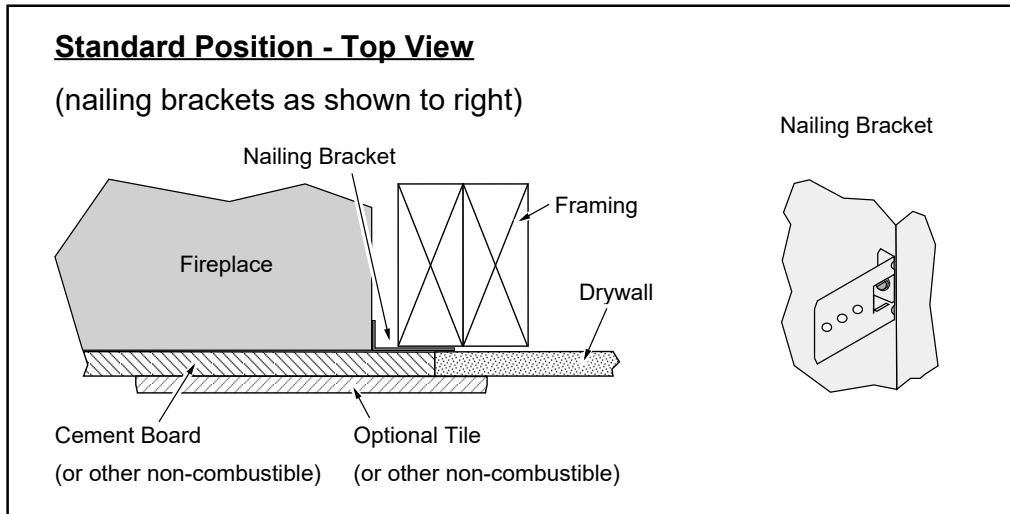
Thinset Defined: An adhesive mortar made of cement, fine sand, and a water-retaining agent such as an alkyl derivative of cellulose

NOTE: Screws may be used to secure cement board or tile backer to the fireplace. Do not penetrate the fireplace more than 1/2" (13mm).



Standard vs. Extended Position

- The nailing brackets on the side of the fireplace may be placed in the standard or extended position to best suit the facing being used (the header shield is also moved). Most installations use the standard nailing bracket position. If using a facing that does not use a backing board (e.g. marble), you may wish to use the extended position.



Facing Example – Standard Position – Flush Finish

- We recommend a non-combustible board (such as Hardiebacker 500™) be placed over the front of the fireplace around the perimeter of the glass opening (do not place over the ledge to the glass opening).
- We recommend the non-combustible facing extend to the header above the non-combustible framing and to the framing on both sides of the fireplace. The facing should have the seam to the side of the glass opening (see illustration below). See the illustration below for other recommendations.

NOTE: Most non-combustible board will require a skim coat to achieve a smooth finish prior to painting

HINT: We recommend the use of a trim kit when making a flush install. This helps conceal the area between the non-combustible board and the glass opening.

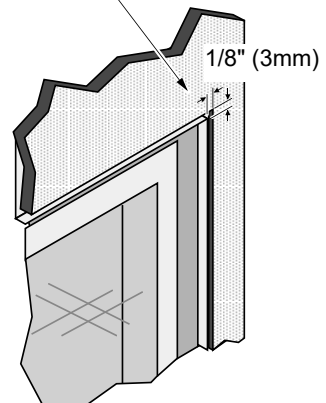
When securing the non-combustible board, screw it to the fiber board above the fireplace, the framing, and the area below the fireplace (except in the do not drill zone).

i Install a sheet of drywall to the vertical drywall support. This acts as a spacer for the non-combustible board.

Fiber Board
(pre-attached to the fireplace)

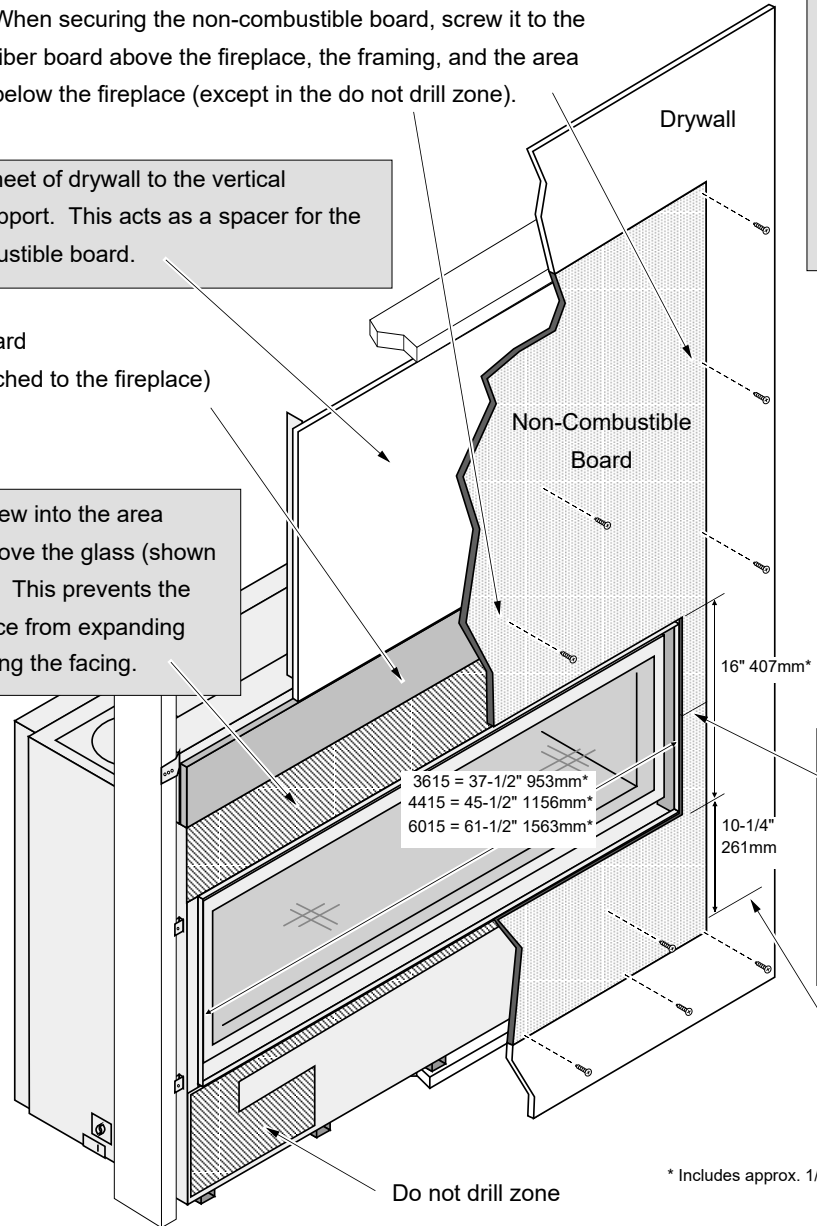
! Do not screw into the area directly above the glass (shown in stripes). This prevents the hot fireplace from expanding and cracking the facing.

! Make sure non-combustible board is cut and positioned so it maintains a 1/8" (3mm) gap from the tile stop. This allows the fireplace structure to expand without cracking the facing (see dimensions below).



- 3615 = 37-1/2" 953mm*
- 4415 = 45-1/2" 1156mm*
- 6015 = 61-1/2" 1563mm*

! Make sure the seams on the non-combustible board is to the sides or below the glass opening (do not place seams on corners of glass, especially the upper corners).



Base of Fireplace

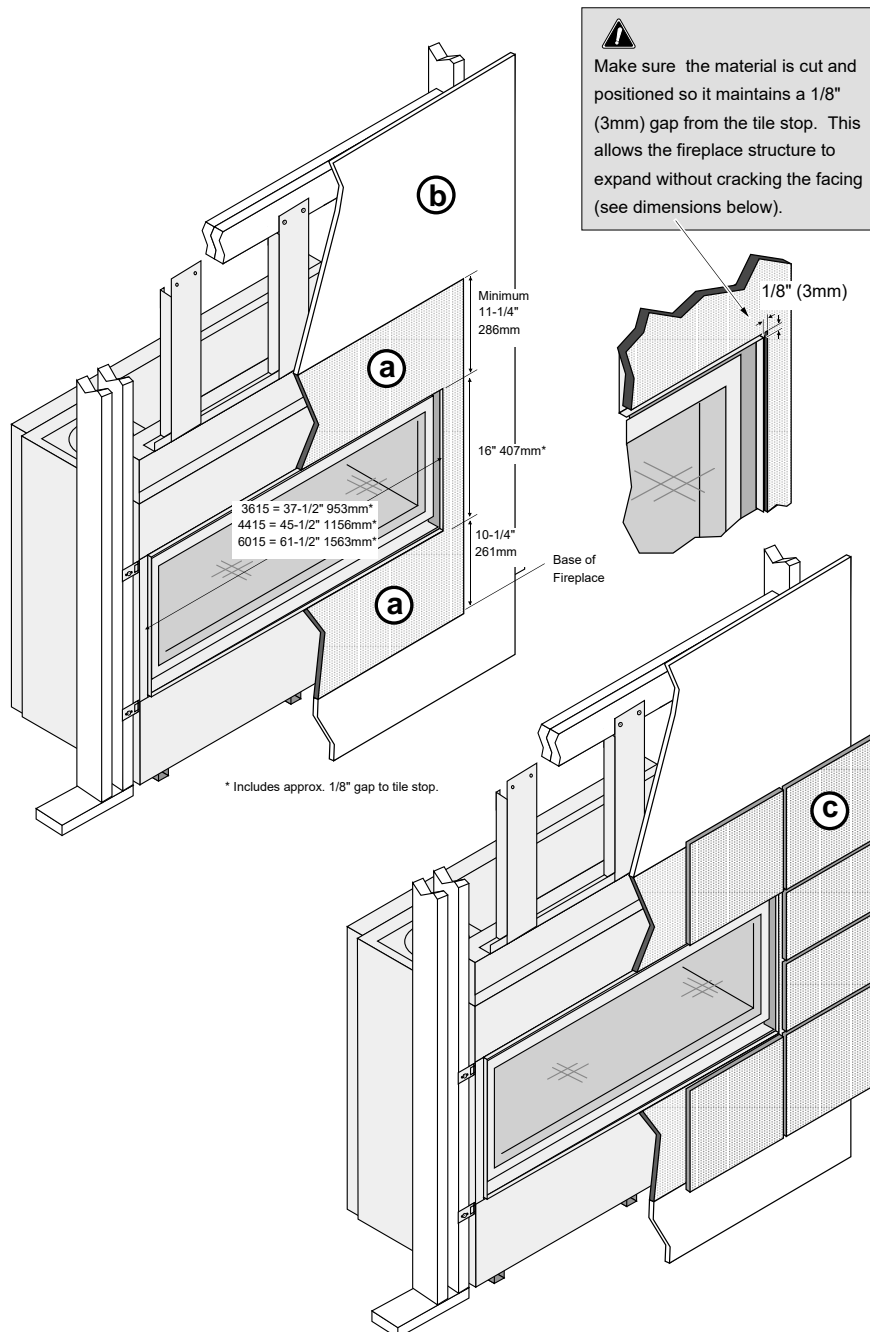
* Includes approx. 1/8" gap to tile stop.

Facing Example – Standard Position - Tile-Over Finish

- Install cement board (or other non-combustible) from the base of the fireplace to the top of the horizontal support (37-3/8" above the base) and to the framing opening on both sides (see "a" below).
- Drywall (or other combustible) may be placed above the horizontal support (37-3/8" above the base of the fireplace - see "b" below) and to the sides of the framing opening (see "b" below).
- Tile or other non-combustible facing may be placed along the front of the fireplace around the perimeter of the glass opening (see "c" below). Typical installations use 12" (305mm) or greater of non-combustible facing around the perimeter of the glass opening. Do not install facing over the ledge to the glass opening.

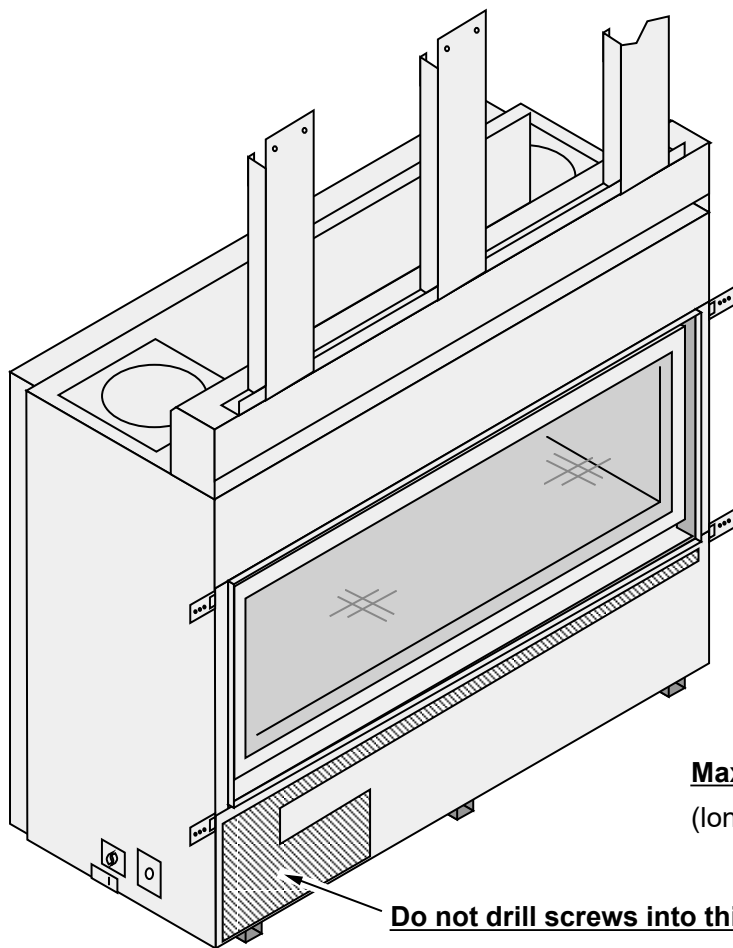
HINT: We recommend the use of a trim kit for a tile over installation. The trim helps conceal the area between the non-combustible facing and the glass opening.

WARNING: Do not place drywall or other combustibles over the front of the fireplace.



Do Not Drill or Screw Zone

When using screws to secure tile-board or other non-combustible to the front of the fireplace, make sure to avoid the area shown below. Make sure screws penetrate no more than $\frac{1}{2}$ " (13mm) into the fireplace.



Maximum Screw Penetration = 1/2"

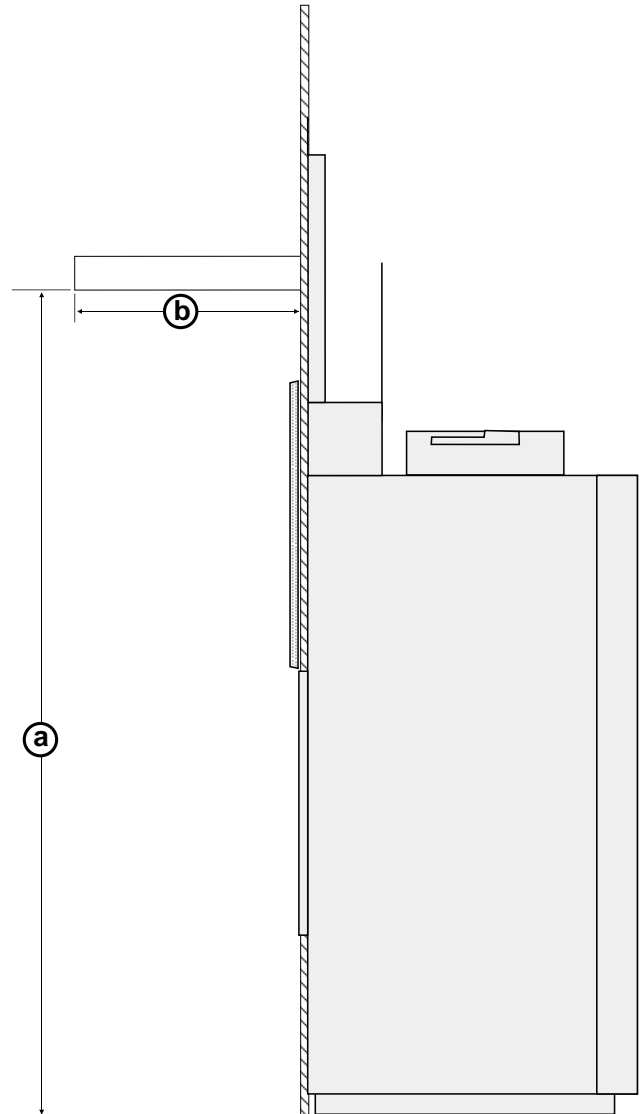
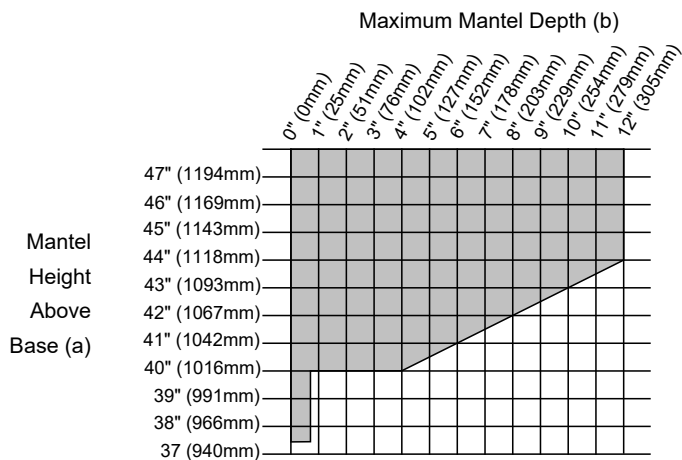
(long screws will hinder component access)

Do not drill screws into this shaded area.

Fireplace components are located in this area.

Mantel Requirements

- If installing a TV above a mantel, see the section “Televisions Placed Above the Fireplace” on page 10.
- Use the table below to determine the maximum mantel depth allowed. The mantel depth (measured from the non-combustible facing) must fall within the shaded portion of the table.
- Any material above the fireplace that protrudes more than 3/4” (19mm) from the non-combustible facing is considered a mantel and must meet the mantel requirements.



Mantel Column Clearances

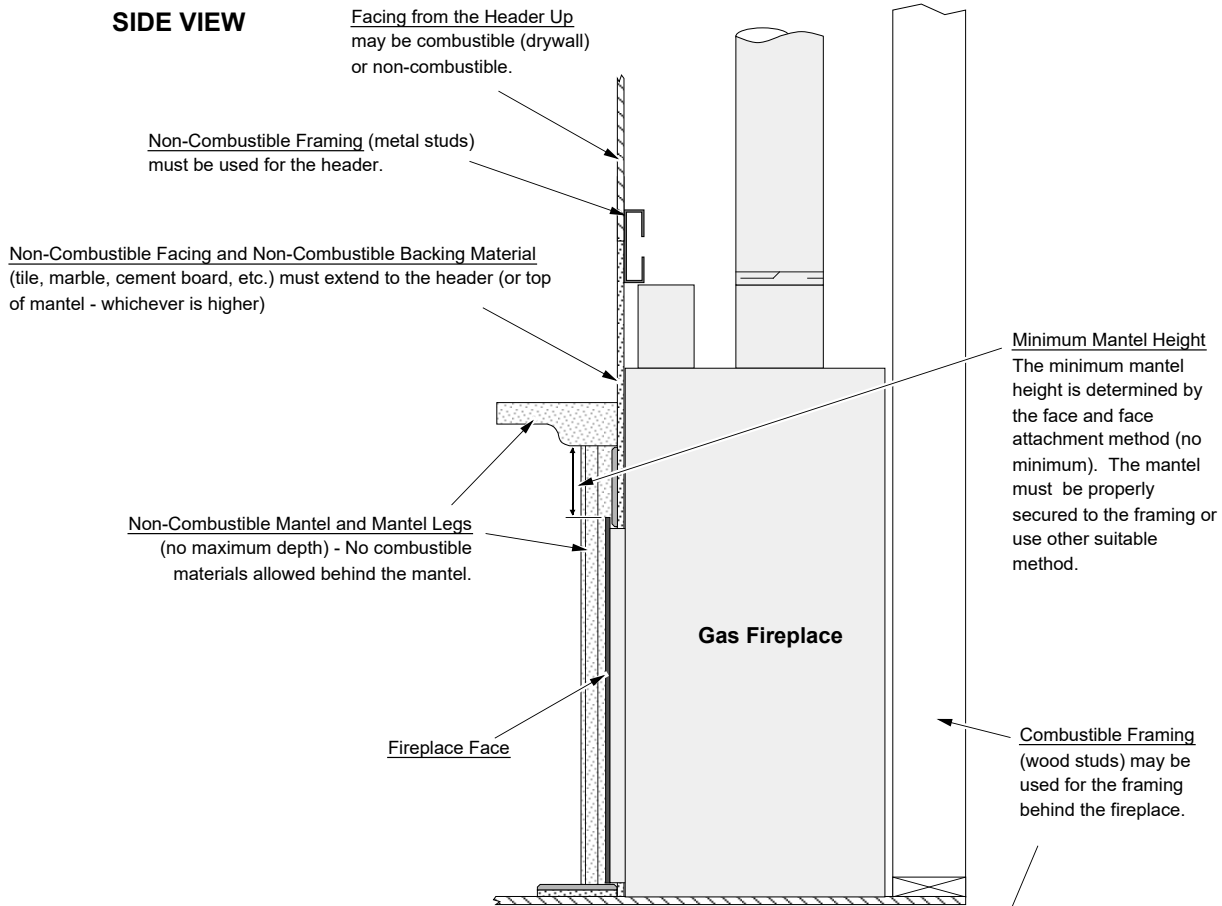
- Combustible mantel columns (legs) that protrude more than 3/4” (19mm) from the front of the fireplace require a 3” (77mm) clearance to the side of the fireplace.
- Combustible mantel columns (legs) that protrude 3/4” (19mm) or less from the glass frame must meet the facing clearances (minimum 0” (0mm) from the side of the fireplace).
- Non-combustible mantel columns do not have a minimum clearance.

Use of a Non-Combustible Mantel Below Listed Mantel Clearances

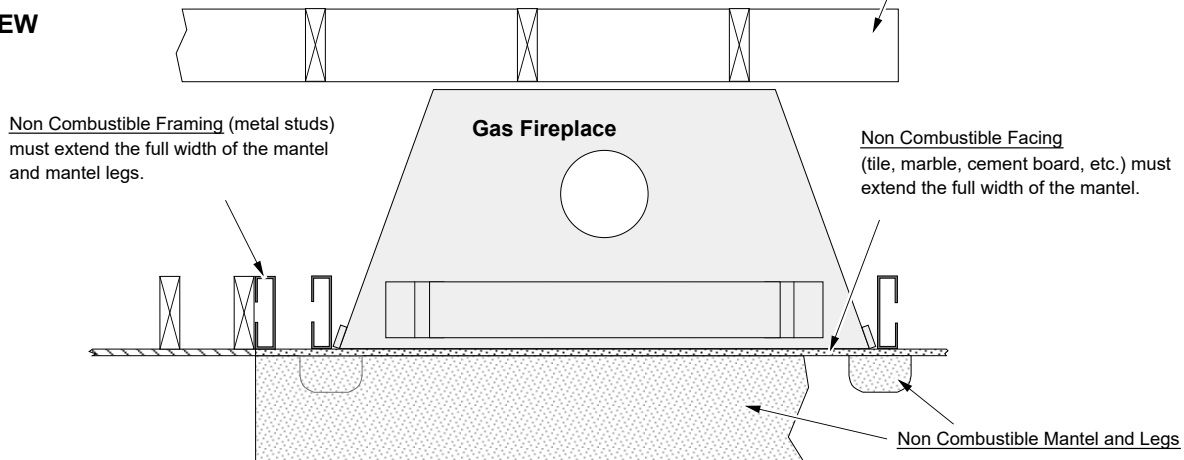
Each gas fireplace has a unique set of mantel requirements. If you wish to place a non-combustible mantel at a lesser height than specified in this manual, it will need to meet the following requirements:

- The header (the framing member above the fireplace opening) must be non-combustible.
- The facing must be non-combustible and extend to the header (or mantel, whichever is greater). The facing must also span the entire width of the mantel.
- See the illustration below for additional requirements.

SIDE VIEW

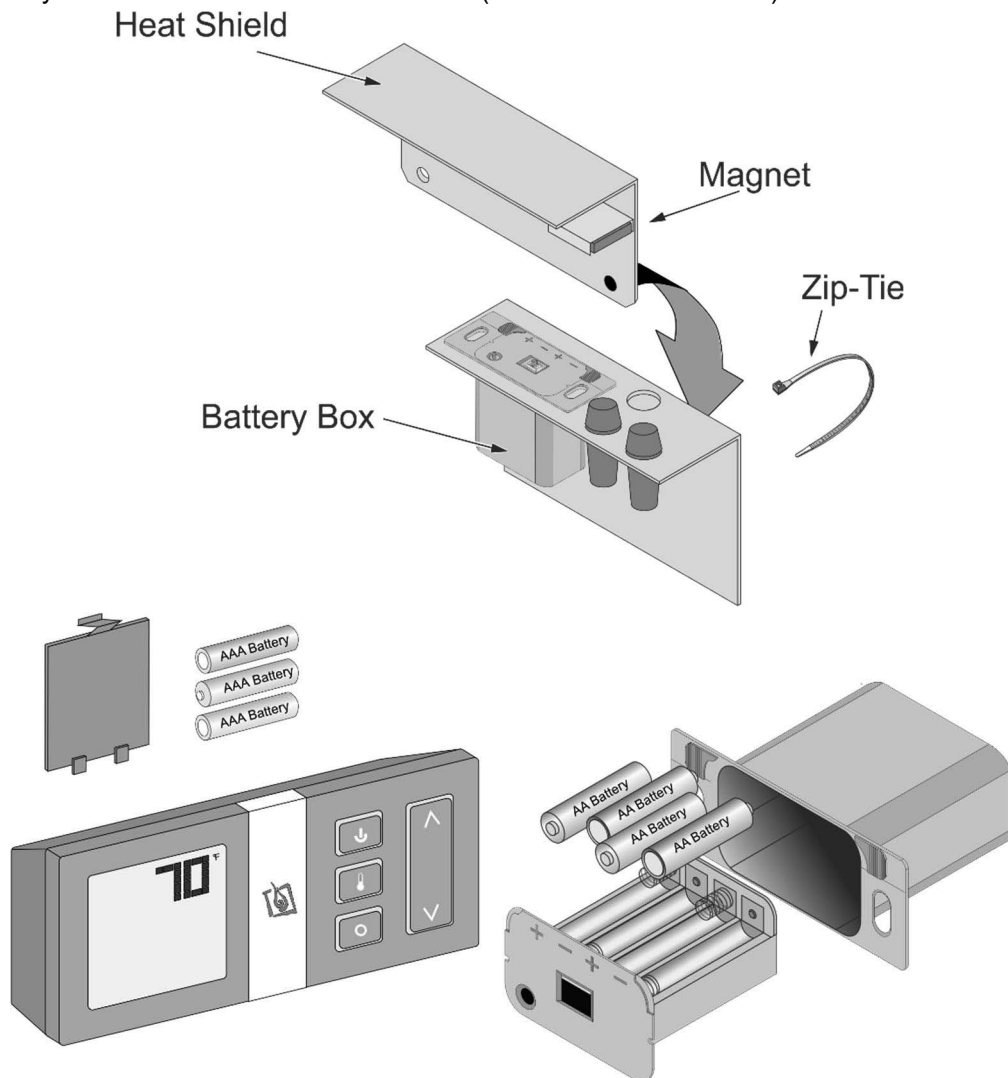


TOP VIEW



Steps for Finalizing the Installation

1. Remove the glass frame (see page 46).
NOTE: If using propane (LP) convert the appliance prior to installing the logs.
2. We recommend you purge the gas line at this time (with the glass frame removed). This allows gas to be detected once it enters the firebox, ensuring gas does not build up.
3. Install the required firebacks (see page 50).
4. Remove the heat shield from the battery box (remove and discard the lock-tie – see illustration below). Install the four AA batteries into the battery box (**NOTE:** the heat shield must be in place whenever the fireplace is in operation). The AA batteries act as a power backup in case the household (AC) power goes out and are required for operation. Install three AAA batteries into the remote (see illustration below). Synchronize the transmitter to the IFC (see the owner's manual).



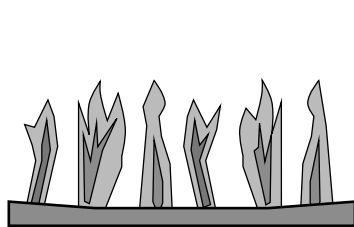
5. Make sure the accent light bulbs are in place and work correctly.
NOTE: Take care to not touch the bulb with your fingers (use a cloth or paper towel).
6. Install the crushed glass (see page 52).
7. Replace the glass frame.

8. Start the heater.
9. Leak test all gas joints.
10. Check the air shutter following the directions below.

Air Shutter Adjustment

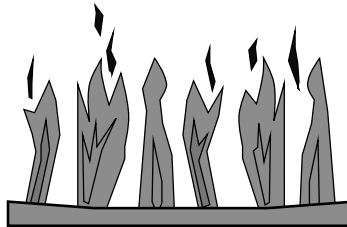
Let the heater burn for fifteen minutes (make sure the logs and glass are in place). The flames should be yellow with no sooting. Adjust the air shutter, if necessary, to achieve the correct looking flame.

Air Shutter Adjustment



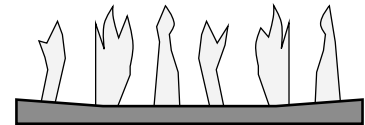
Correct

Flames should be blue at the base, yellow-orange on the top.



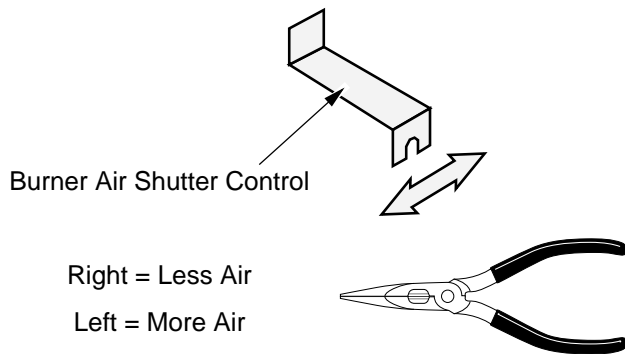
Not Enough Air

If the flames are too tall or sooty on the ends, open the air shutter.



Too Much Air

If the flames are all blue and short, close the air shutter.



Burner Air Shutter Control

Right = Less Air

Left = More Air



NOTE: Use pliers to adjust the air shutter (it will be hot).

Typically, the air shutter is more closed (right) on NG, more open (left) on LP.

11. Adjust the flame to its highest position - the flames should not contact the top of the firebox. Check the flame on low position. The flames should burn off of each burner hole. If the heater does not work correctly, contact your Travis dealer for a remedy.
12. Give this manual to the homeowner for future reference and fully explain the operation of this heater. For comprehensive operating and maintenance instructions, refer to the Owner's Manual.

ACID WASH WARNING: Make sure any masonry that has been treated with acid wash has been properly neutralized (this is used primarily with brick faces). Acid wash (muriatic acid) is used to remove excess mortar.

Glass Frame Removal and Installation



A barrier designed to reduce the risk of burns from the hot viewing glass is provided with this appliance and shall be installed for the protection of children and other at-risk individuals.



If the barrier becomes damaged, the barrier shall be replaced with the manufacturer's barrier for this appliance.



Do not remove the glass frame with the screen attached – it will not disengage correctly and may damage the screen.



The appliance must be completely cool before removing the glass.



Do not strike or slam the glass.



Warning: Do not operate appliance with the glass front removed, cracked, or broken. Replacement of the glass should be done by a licensed or qualified service person.

GLASS FRAME TOOL

The glass frame tool is shipped inside the fireplace, under the concealment cover. The first time it is used you may need to loosen the screw (1/4" wrench). The tool is accessed after removing the screen.



NOTE: Replace the tool in this location after use.

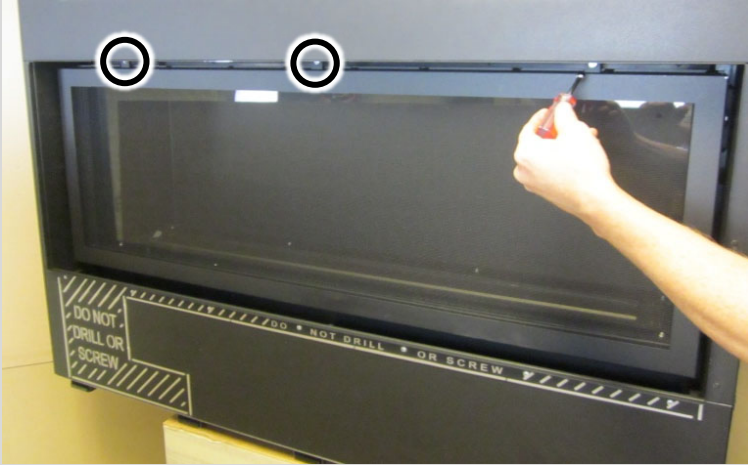
- Remove the concealment cover and place it aside. It has two holes that aid in removal.





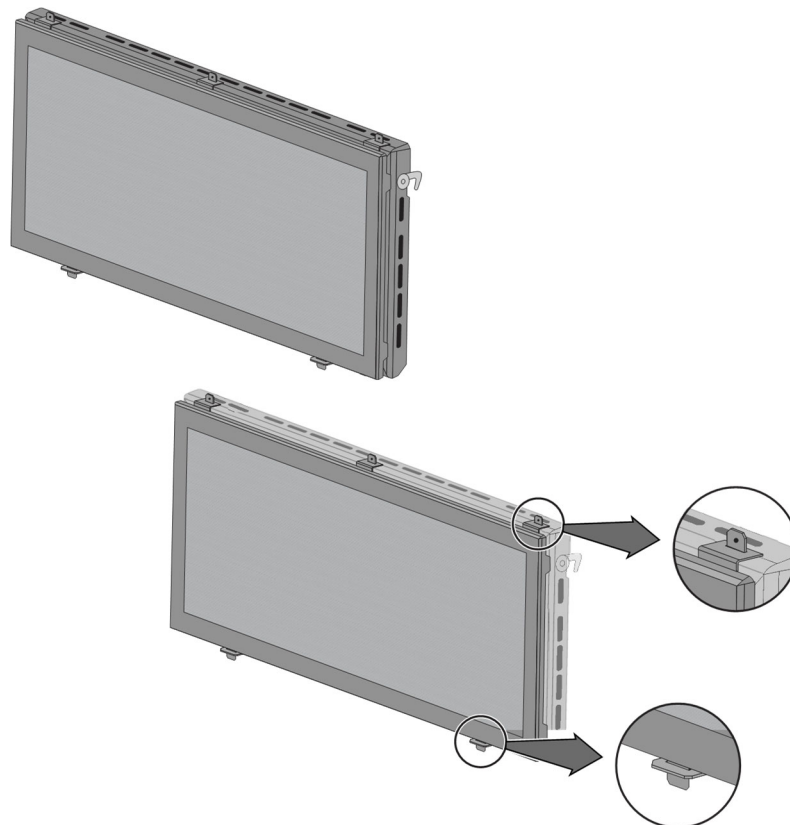
Follow the instructions in the gray box below for appliances made before July 2020. For later units see the instructions immediately after the gray box.

2. Remove the three screws holding the screen in place (1/4" nut driver- magnetic driver recommended). Then pivot the screen down slightly until the clips on the bottom disengage from the glass frame.



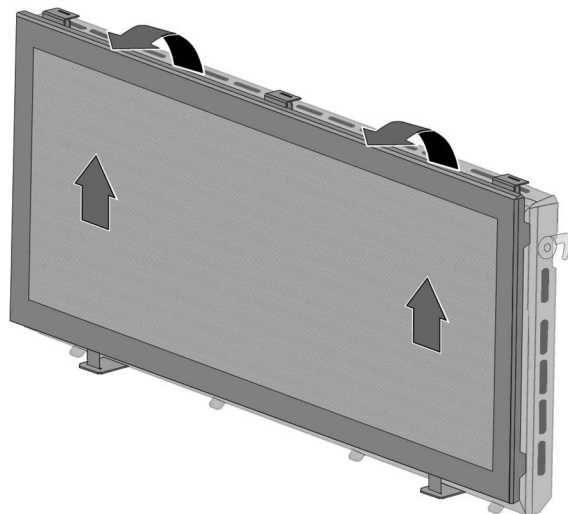
Follow the instructions below for appliances made after July 2020.

The barrier screen has slotted brackets on top and tabs on the bottom. The slots on the top fit over tabs on the top of the glass frame assembly. The bottom tabs on the barrier screen fit into slotted brackets on the bottom of the glass frame assembly (see illustration below). Remove the barrier screen by following the steps below.

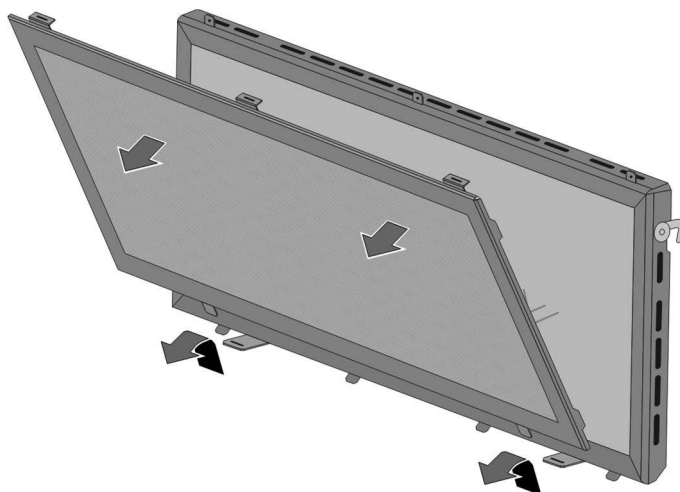


- Lift on the barrier screen assembly until the top brackets are clear of the tabs on the glass frame assembly. Direct the top edge of the barrier screen forward.

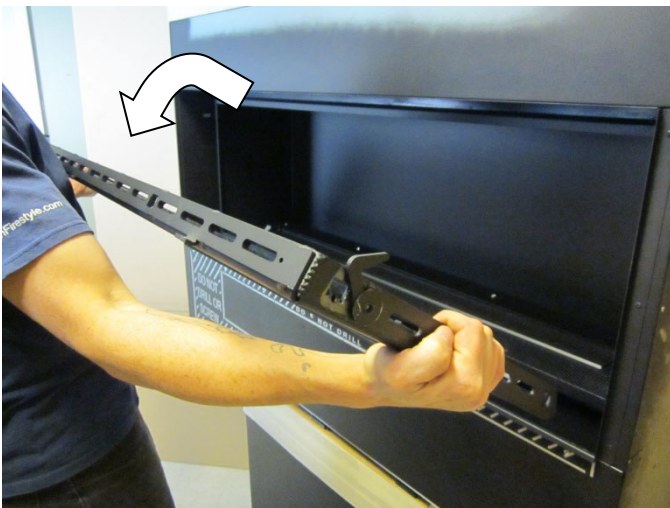
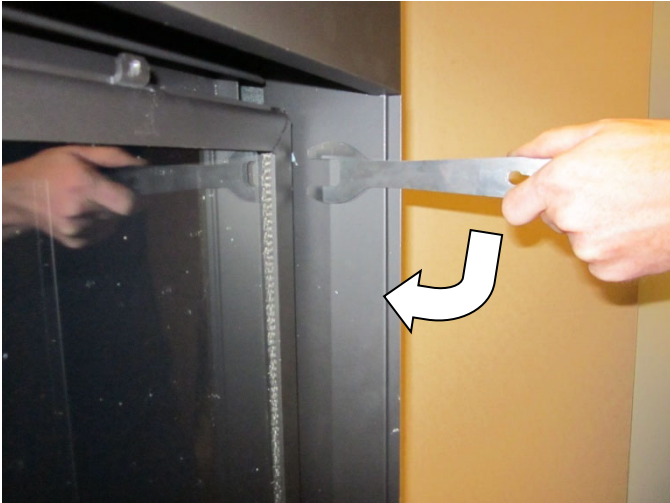
NOTE: The tabs on the bottom of the barrier screen are long enough that they will still be in the bottom brackets on the glass frame assembly when the top is free.



- Lift the bottom tabs out of the brackets on the bottom of the glass frame assembly and remove the barrier screen from the fireplace.



- Use the glass tool to unlatch the glass frame. Remove the glass frame. The glass frame is held in place with four tabs inserted into four slots at the bottom of the firebox opening.



Fireback Installation



Fireplace must not be operated without the firebacks in place.

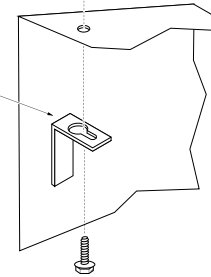


The directions below show the installation of metal firebacks. If using ceramic firebacks, follow the directions included with the firebacks (the rear fireback clips are removed and discarded).

- 1 Access the firebox.
- 2 Remove the two rear fireback clips from the firebox ceiling (1/4" nut driver). The clips are located along the upper rear edge of the firebox.



The fireback clip has a keyhole slot. It can be removed by loosening the screw and sliding the clip out.



- 3 Install the rear fireback. Hold the fireback at an angle while installing to allow it to pass through the firebox opening.

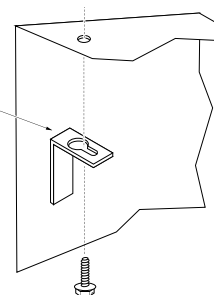


- 4 Replace the rear fireback clips to secure the rear fireback in place.

- 5 Remove the two side fireback clips from the firebox ceiling (1/4" nut driver). They are located at the outward edges of the firebox near the glass opening.



The side fireback clip has a keyhole slot. It can be removed by loosening the screw and sliding the clip out.



- 6 Install the right side fireback. Place the fireback in position and replace the fireback clip to secure the right fireback in place.



- 7 Install the left fireback (see step # 6).

Crushed Glass Installation

Do not allow the crushed glass to block the air slots or to become too thick (maximum 1 layer deep on the burner). Failure to properly install glass may lead to sooting and improper burning.

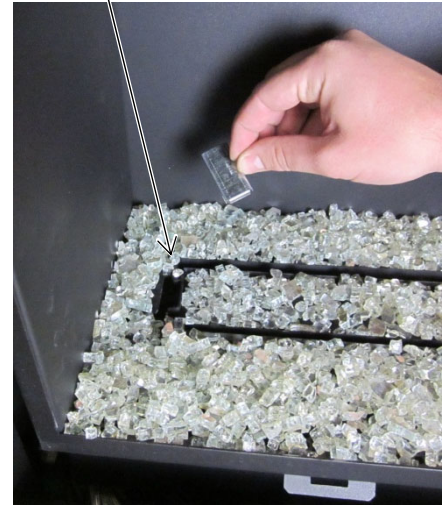
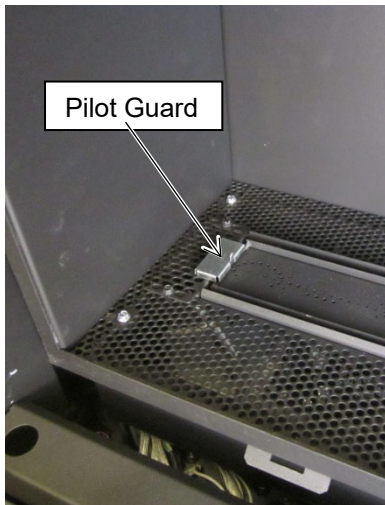


If converting to LP (propane), convert the appliance prior to placing the crushed glass.

Install the crushed glass on the glass tray following the directions below.

<u>Quantity of Crushed Glass</u>	No Logs (stock)	Driftwood Log Set (NOTE: <u>Install logs first</u>)
	7 lbs. (3.1 Kg)	4 lbs. (1.8 Kg)

Before installing the crushed glass, make sure the pilot guard is in place (it is zip-tied to the glass tray – remove and discard the zip-tie). After installing the glass, remove the pilot guard. Make sure no glass covers the pilot opening.



Disperse the crushed glass evenly along the glass tray.

Make sure the two air channels are free of crushed glass. Use the glass frame tool (or screwdriver) to clear this area. **Make sure the glass is only 1 layer deep on the burner.**



LP Conversion Instructions

WARNING

This conversion kit shall be installed by a qualified service agency in accordance with the manufacturer's instructions and all applicable codes and requirements of the authority having jurisdiction. If the information in these instructions is not followed exactly, a fire, explosion, or production of carbon monoxide may result causing property damage, personal injury, or loss of life. The qualified service agency is responsible for the proper installation of this kit. The installation is not proper and complete until the operation of the converted appliance is checked as specified in the manufacturer's instructions supplied with the kit.

The GSR Stepper Motor Kit (4-pack = 94400999, single = 250-01463) is required for converting this appliance to LP. The kit contains the stepper motor (regulator) and Torx wrench. The burner orifices, pilot orifice, and burner gaskets are shipped with the appliance.

1. Access the firebox.
2. Remove the glass tray. Remove the 6 screws holding it in place (1/4" nut driver).



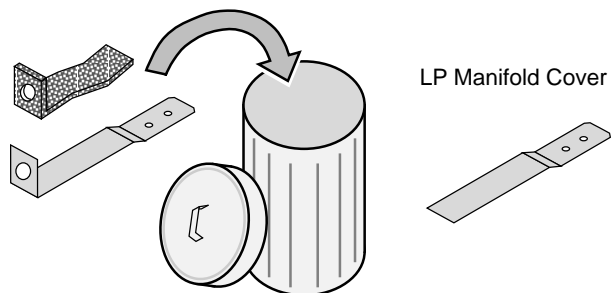
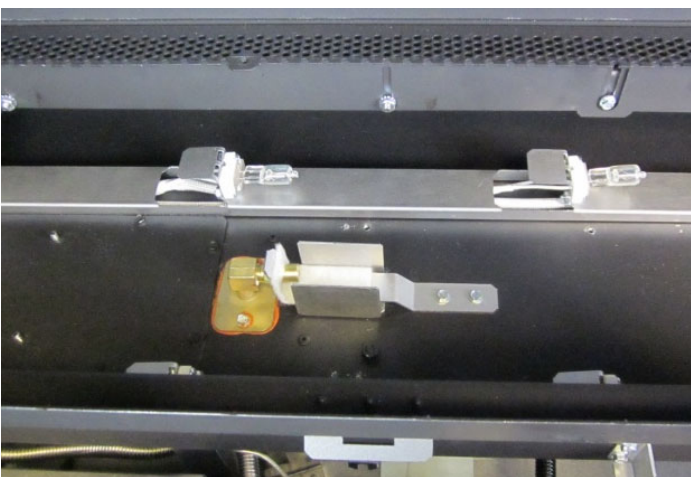
3. Remove the burner. It is held in place with 6 screws (1/4" nut driver).



4. Remove the burner support as shown below. It is held in place with 6 screws (1/4" nut driver) and 4 nuts (11/32" nut driver).

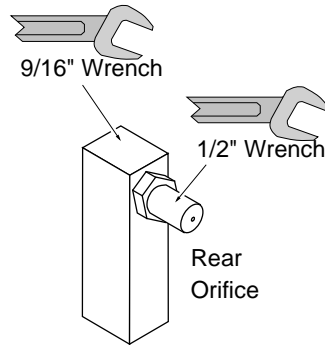


5. Remove and discard the NG (stock) manifold cover and orifice gasket (1/4" nut driver). Install the LP manifold cover included in the owner's pack.



6. Follow the directions below to replace the orifice.

- (a) Slide the air shutters to provide access to the orifices.

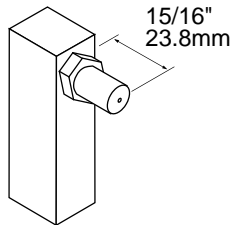


- (b) Use a 9/16" wrench to secure the manifold while removing the orifice with a 1/2" wrench.

- (c) Apply thread sealant to the LP orifice prior to installation. Use the chart below to identify the correct orifices.



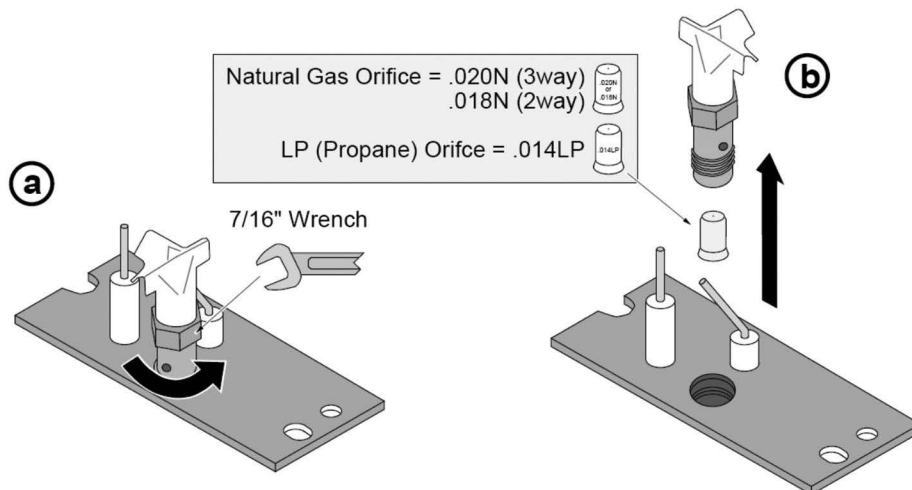
- (d) Screw the LP orifice until orifice protrudes 15/16" (23.8mm) indicating full insertion (use wrench to secure manifold when re-attaching orifice).



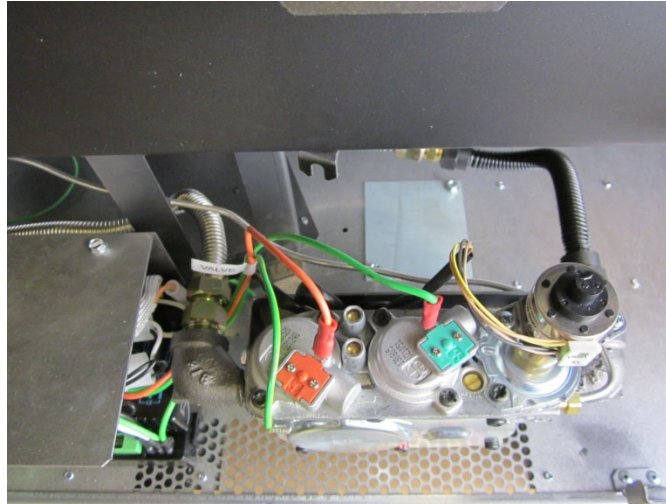
NG	LP
#31	#49

7. Install the LP pilot orifice following the instructions below.

- (a) Use a 7/16" open-end wrench to remove the pilot hood.
- (b) Remove and discard the Natural Gas (NG) orifice. Place the LP orifice in the pilot assembly then replace the pilot hood, tightening the pilot hood until it is snug (do not over-tighten).



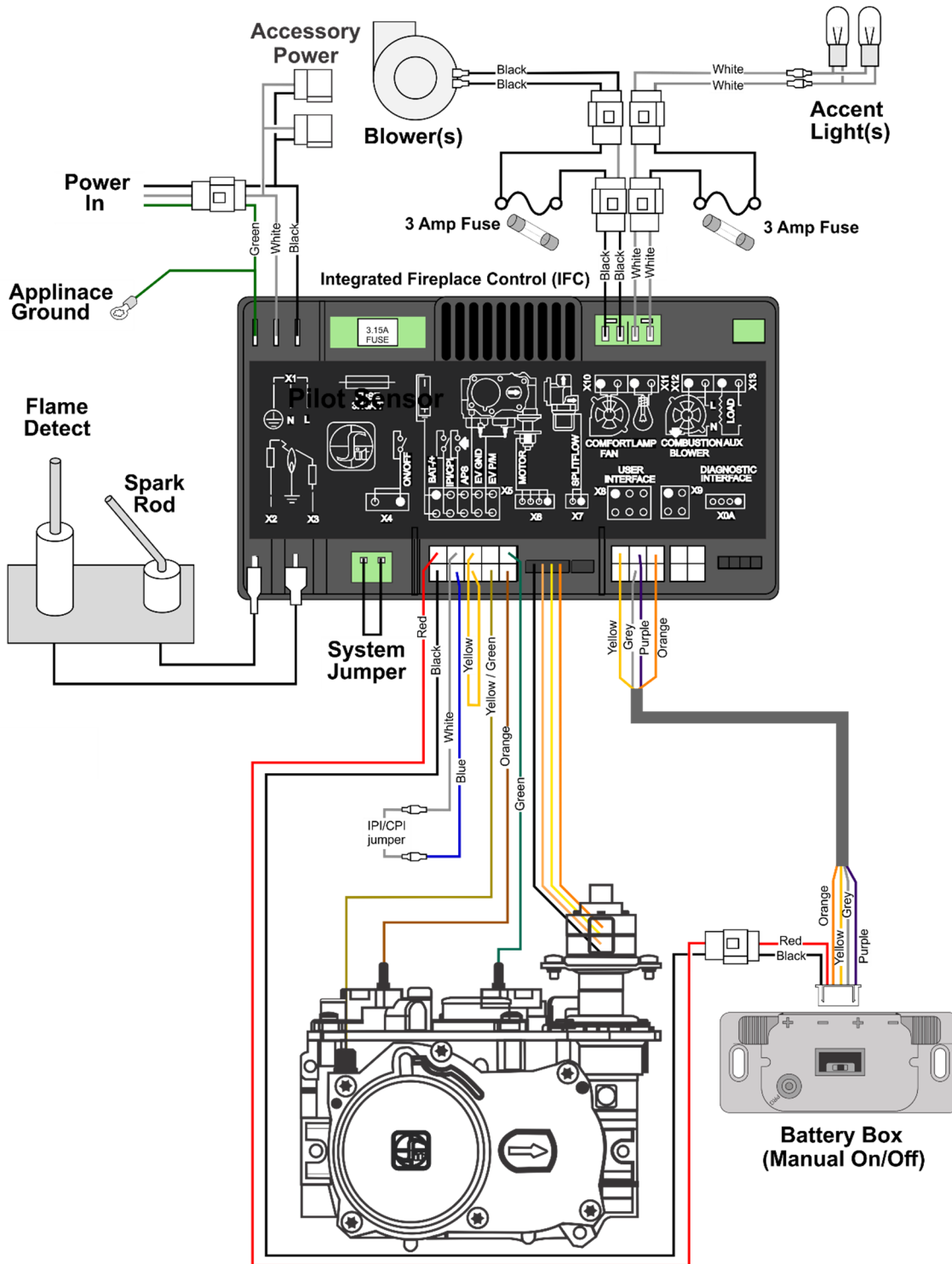
- The stepper motor (adjustable regulator) has an installation sheet included with it – make sure to follow all of the directions. Place the stepper motor on the gas control valve (see below) – **MAKE SURE IT IS CORRECTLY ORIENTED**. Secure using the screws included with the motor – tighten to 25 Lb-inches. Leak test this area after installation to verify proper installation.



- Replace the burner. **Push the burner to the left side to ensure the manifold inserts over the orifice.**
- Replace the remaining firebox components.
- Replace the glass.
- Make the gas line connection, bleed the gas line (if applicable), start the heater, and thoroughly leak-test all gas connections and the gas control valve.

Wiring Diagram

Caution: Label all wires prior to disconnection when servicing controls. Wiring errors can cause improper and dangerous operation.

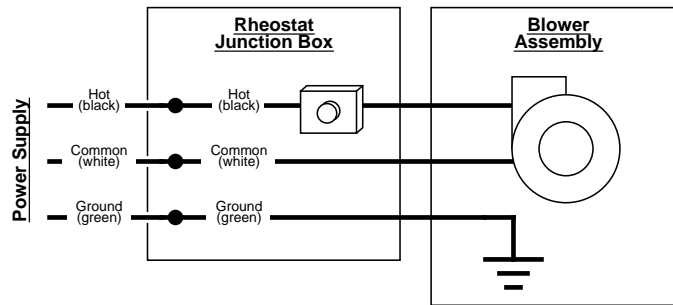


Power Heat Duct Installation (Optional)

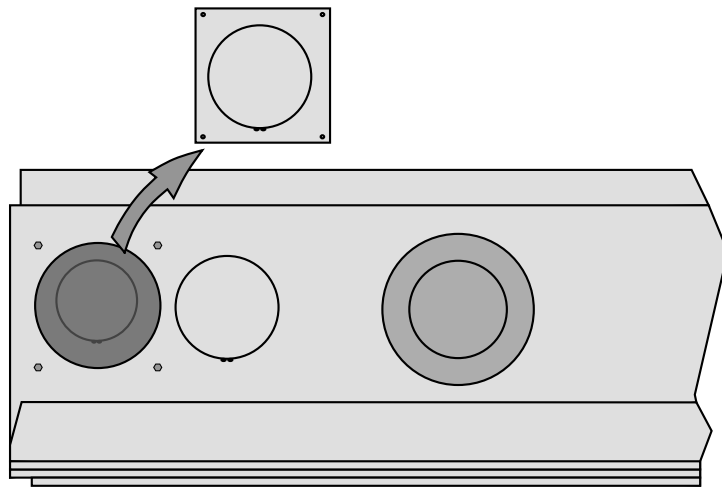
Warning: All wiring should be done by a qualified electrician and shall be in compliance with local codes and with the current National Electric Code ANSI/NFPA 70 (in the U.S.), or with the current CSC22.1 Canadian Electric Code (in Canada).

One or two optional power heat (98500769) ducts may be connected to this fireplace (top right and left of the fireplace). Follow the directions below to prepare the power heat duct connection (for each power heat duct used). Follow the directions included with the power heat duct for installation.

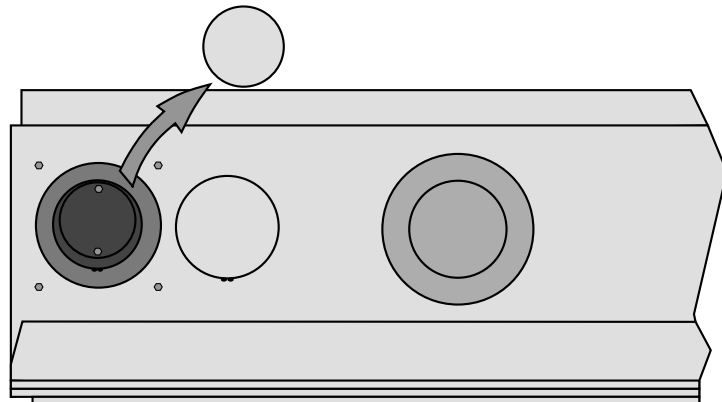
NOTE: The power heat duct should be wired for direct operation (see wiring diagram below);



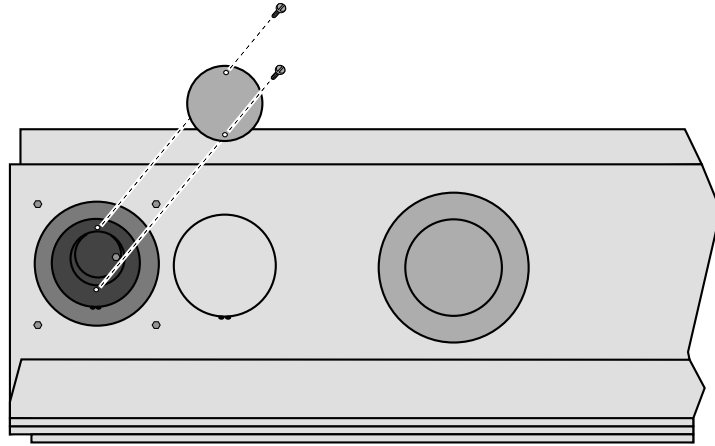
1. Remove and discard the (2) outer cover plates. Replace the screws to seal up the holes on the top of the fireplace.



2. Use snips or diagonal cutters to snip the tab on the knockouts. Press on the far side away from the tap to pop the edge of the knockout up. Grab onto the knockout with pliers and bend it back and forth until the remaining tabs break free. Discard the knockout plate. The power heat duct is now ready to install (see kit instructions for details).

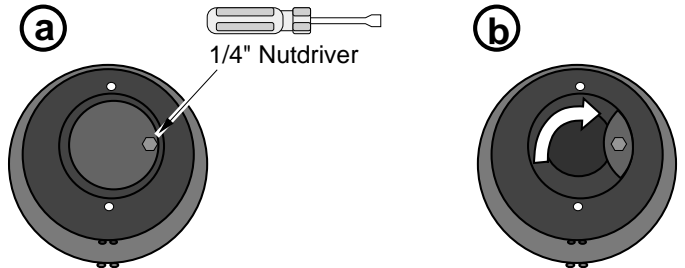
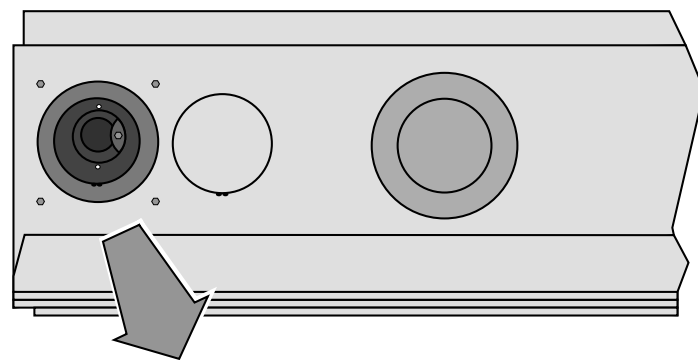


- Under the second layer of knockout plates, you will find cover plates held in place with (2) 1/4" screws. Use a nut driver or drill with an extension to remove the (2) screws. Reach in and remove the cover plate. You may discard the plates



- Once the third layer is removed, a final cover plate will be visible. Use a 1/4" nut driver to loosen the screw securing the plate. Reach in and rotate the cover plate to uncover the final hole.

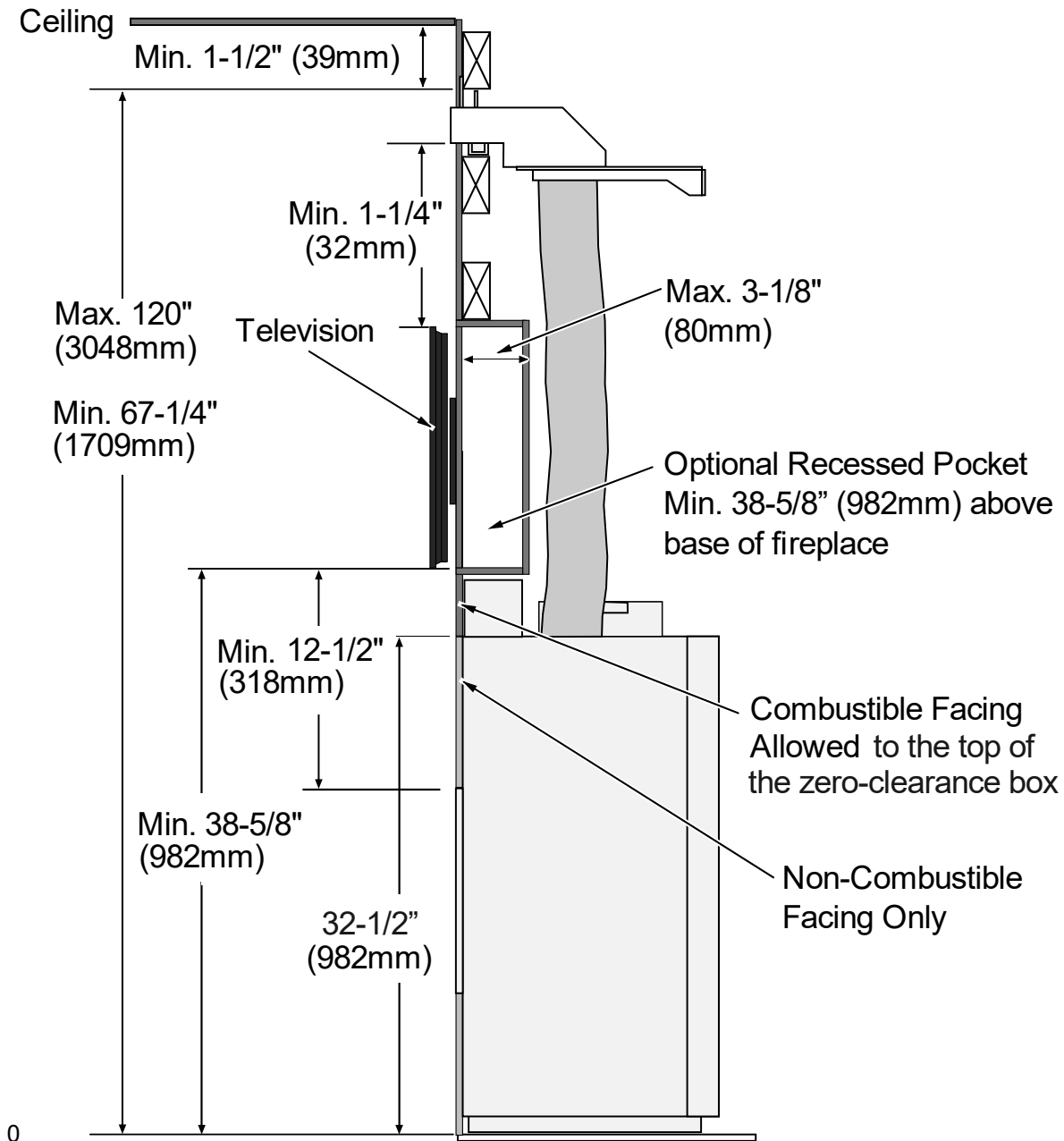
NOTE: The final plate does not get removed from the fireplace, just rotated to uncover the hole. Once the plate has been rotated, tighten the screw to lock the plate in place.



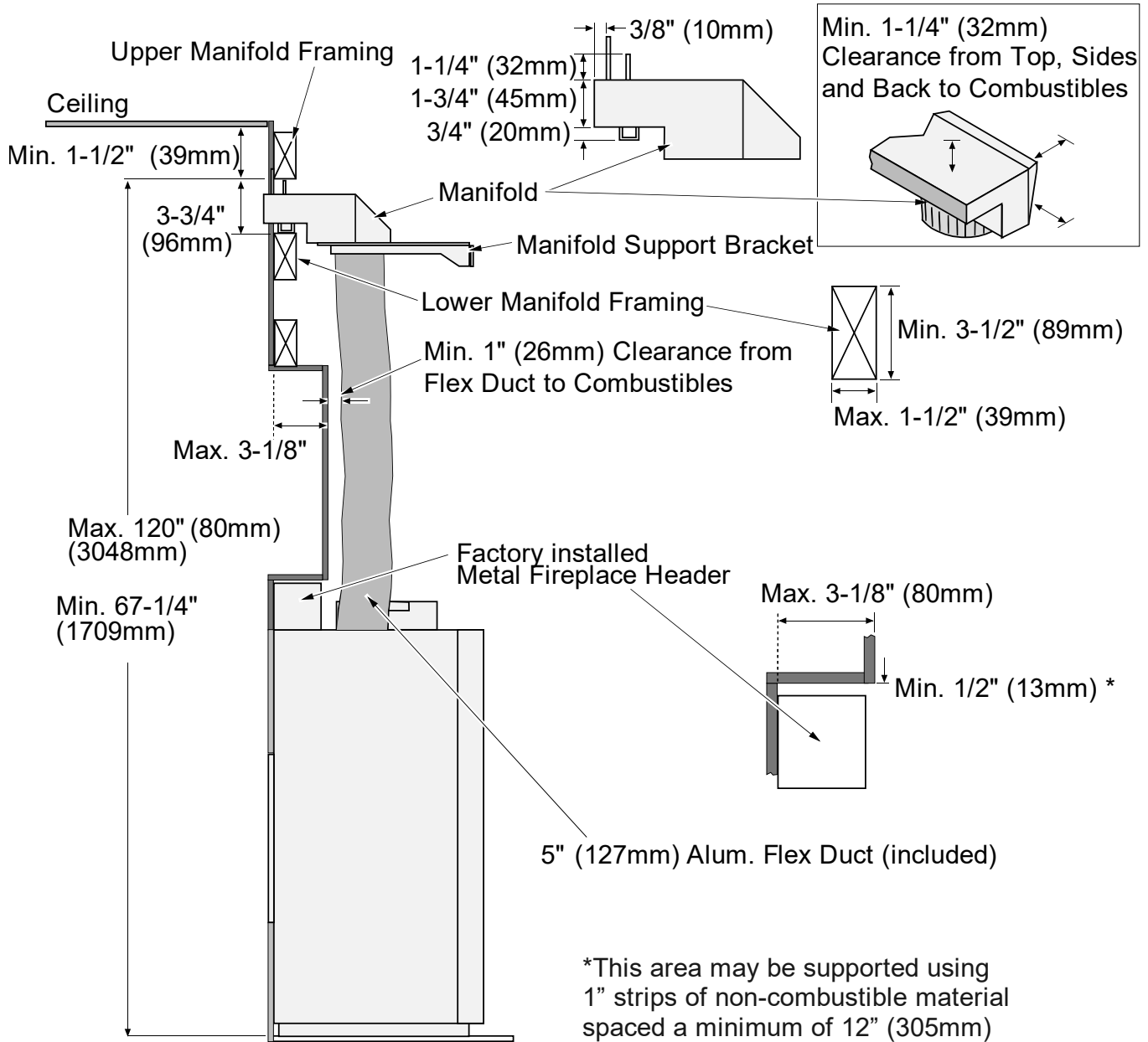
CoolSmart TV (Optional)**CoolSmart TV - Installation Overview**

The CoolSmart system is designed to redirect the convective heat of the fireplace from the front of the unit, just above the glass, to a location higher on the wall. The use of this kit allows for reduced clearance to combustibles and accommodates TV installations closer to the fireplace or in recessed cavities above the fireplace.

When using this kit, disregard the framing dimensions in the manual and follow the framing instructions shown on the page in this document. In addition, the use of this kit allows for combustible facing to be installed over non-combustible board over the front of the fireplace (see section Combustible "Over-Facing" section). All other installation requirements for the fireplace must be followed as detailed in the appliance installation manual.



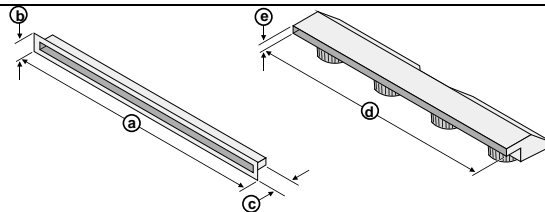
CoolSmart TV - Installation Requirements



Grill and Manifold Dimensions

The grill may be installed over the facing to provide an aesthetic opening for the convection outlet. (2) 8-32 x 1-1/2" screws attach the trim to the upper manifold. This allows variable thickness of finish material.

Dimensions



a	b	c	d	e
42" (1067mm)	2-7/8" (74mm)	1-1/4" (32mm)	41" (1042mm)	1-3/4" (45mm)

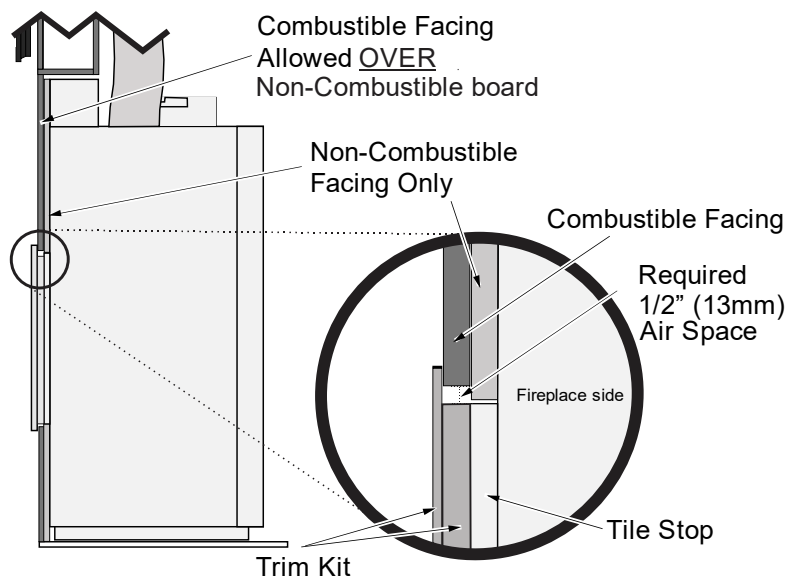
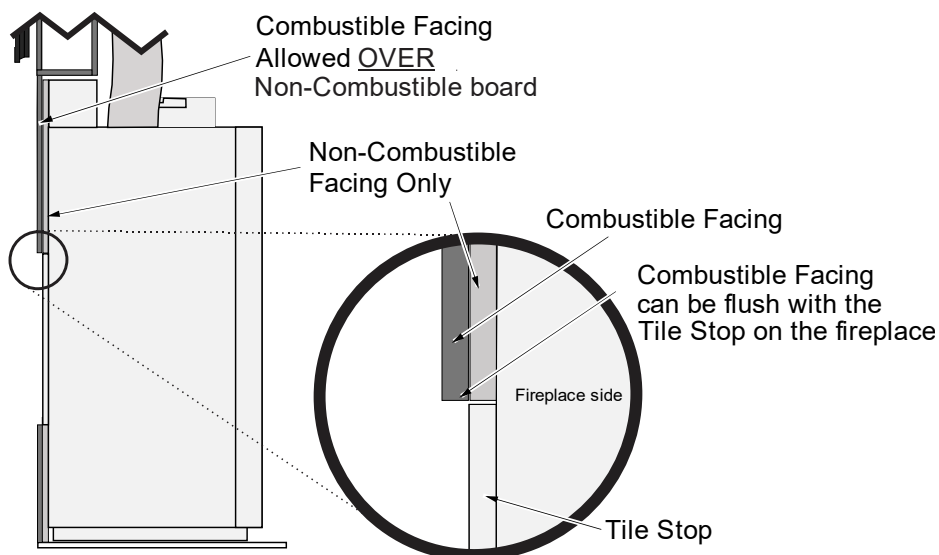
CoolSmart TV - Combustible "Over-Facing" (Optional)**! WARNING !**

When using the CoolSmart TV kit, Combustible material can be installed over the non-combustible board on the front of the fireplace. To be clear, there will be (2) layers of board over the front of the appliance, one **non-combustible that covers the entire front of the fireplace**, and a second layer that can be combustible material that is placed on top of the non-combustible board.

The combustible material **MUST** be installed **OVER 1/2"** of non-combustible board.

WARNING: If using a trim kit, there is a 1/2 " air space required from the edge of the Tile Stop on the fireplace. If no trim is being used, the airspace is not required (see below for details).

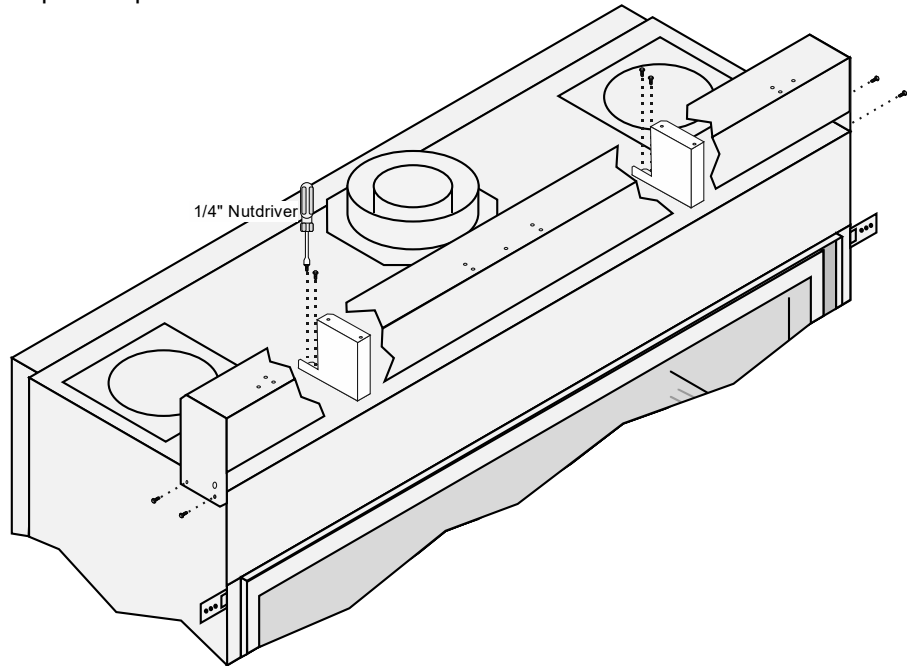
NOTE: Trim kits accommodate facing between 1/2" and 1" in depth.

Over Facing WITH Trim Kit**Over Facing WITH OUT Trim Kit**

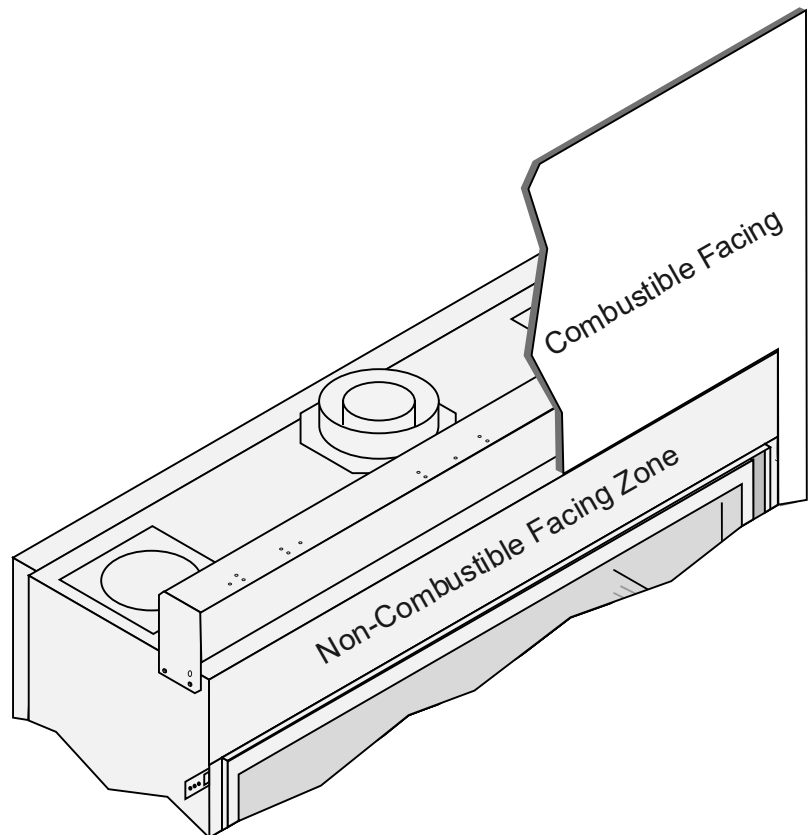
CoolSmart TV - Flush Facing Header Configuration and Facing

For installations where only non-combustible facing will cover the front of the appliance, the metal header can be moved back $\frac{1}{2}$ " to accommodate drywall installed flush with the front of the fireplace. The drywall can contact the top $\frac{1}{2}$ " of the fireplace top.

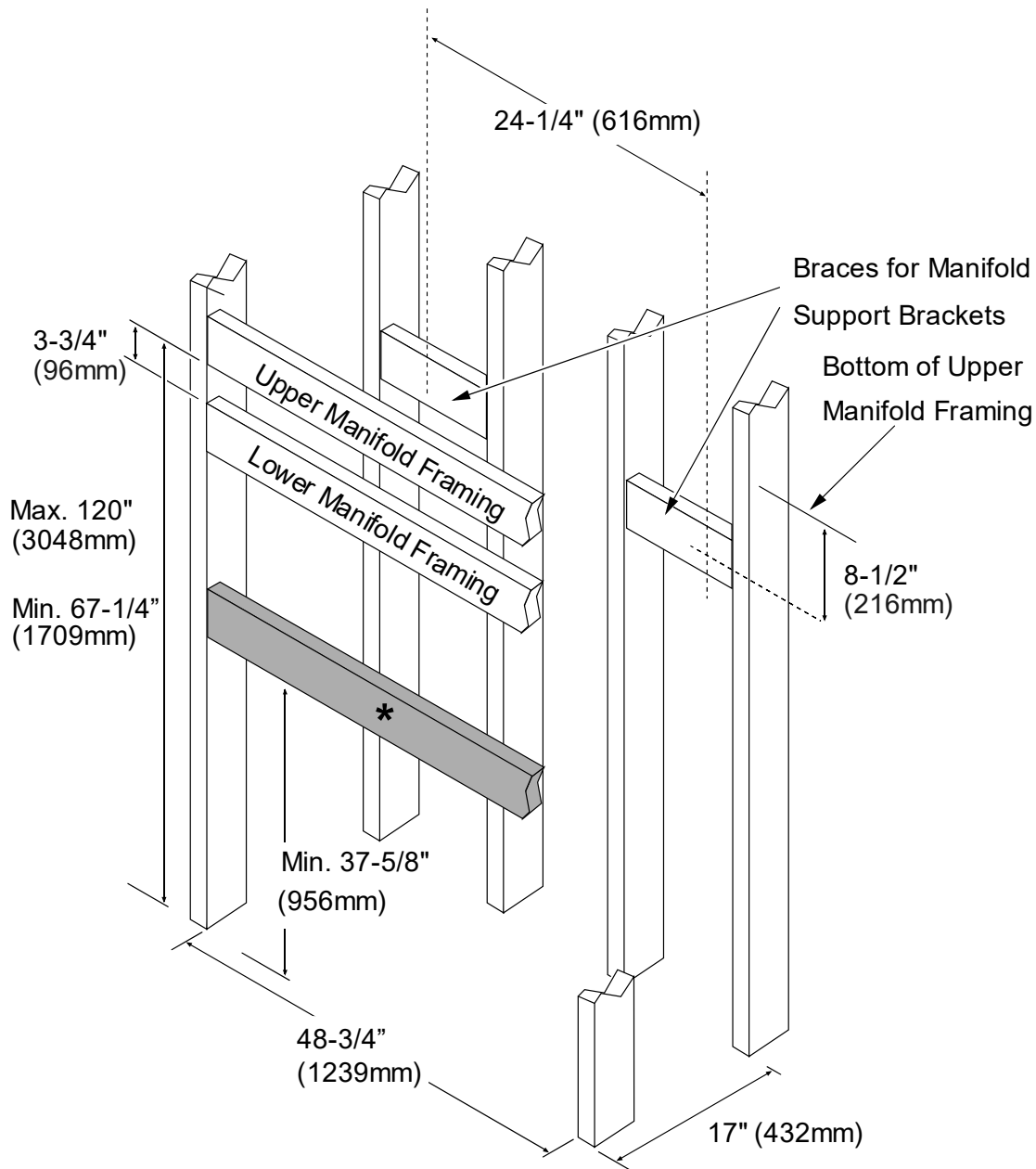
- Use a $\frac{1}{4}$ " nut driver to remove the (8) screws that secure the header assembly to the top of the fireplace.
- Slide the header assembly back $\frac{1}{2}$ ".
- Align the header assembly with the second set of holes in the fireplace. Reattach the assembly to the fireplace (use the screws removed in the first step).



WARNING: For flush installations, combustible facing can touch the first $\frac{1}{2}$ " of the fireplace box. **ONLY NON-COMBUSTIBLE FACING** can cover the front of the appliance.



CoolSmart TV - Framing the Chase



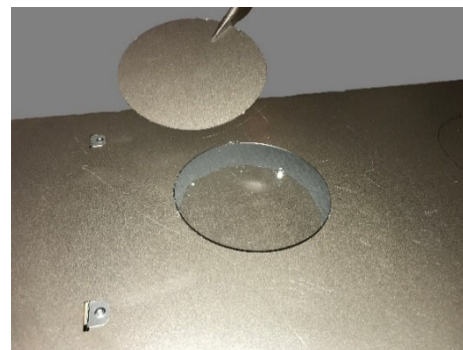
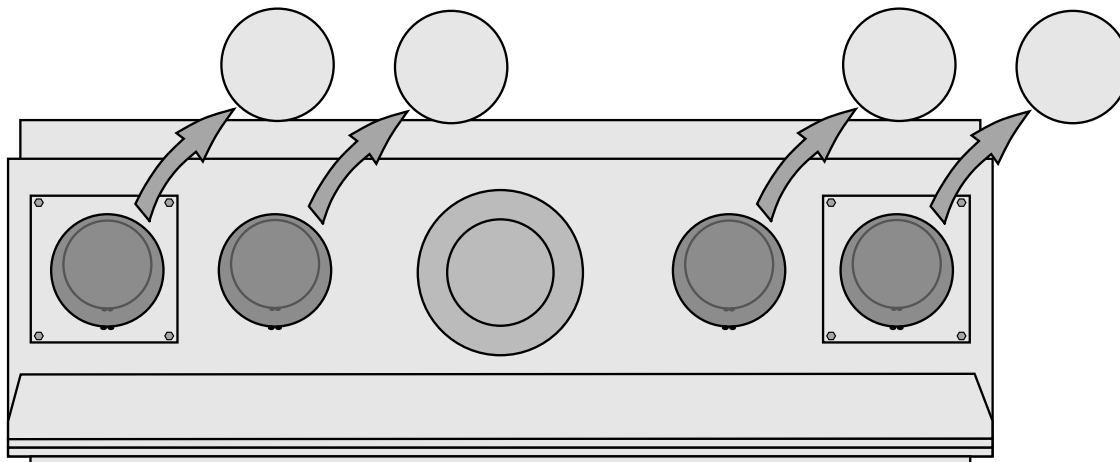
* The dark-shaded framing may be installed after the fireplace is put into position. It is used to provide support for the facing above the fireplace and nailing brackets.

CoolSmart TV - Fireplace Preparation

WARNING: In order to extract the heat properly from around the firebox, you must remove (4) layers of cover plates for each of the (4) flex attachment points on the top of the fireplace. Not removing all of the cover plates can create hazardous conditions.

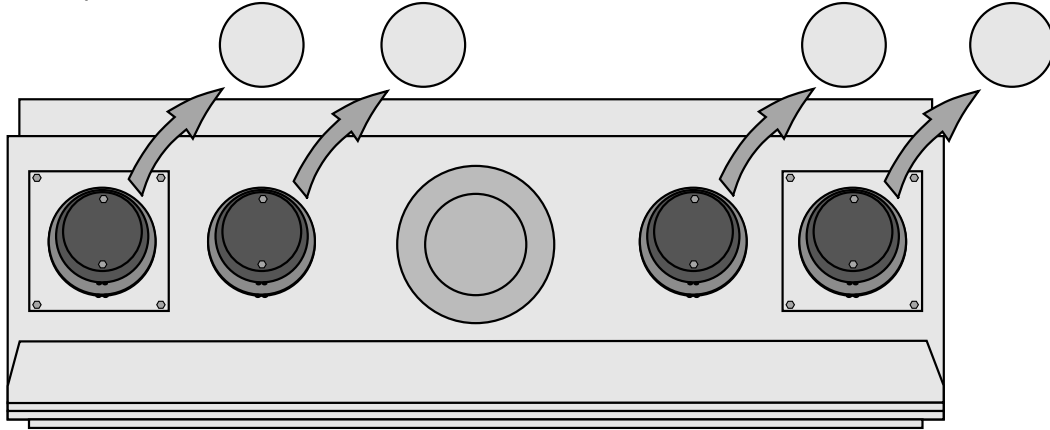
First Layer

- Remove all (4) of the 5" knockouts (leave the square cover plates in place). Use snips or diagonal cutters to snip the tab on the knockouts. Press on the far side away from the tab to pop the edge of the knockout up. Grab onto the knockout with pliers and bend it back and forth until the remaining tabs break free. Discard the knockout plate.



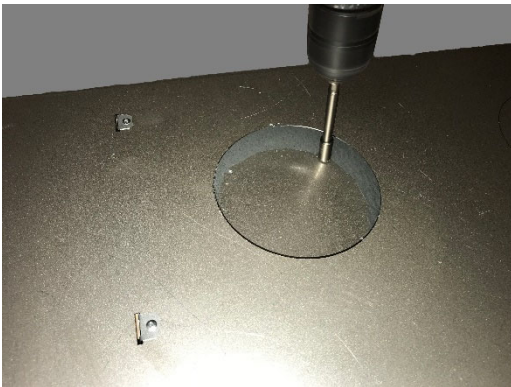
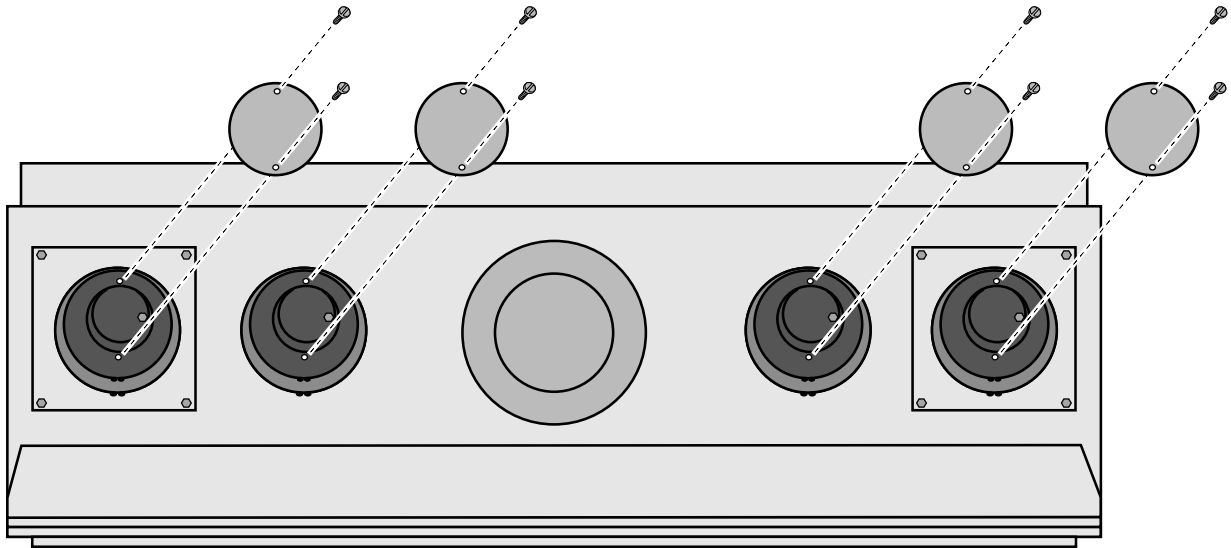
Second Layer

- In each of the four holes, you will see the next layer of knockouts. Remove the knockouts using the same technique described above.



Third Layer

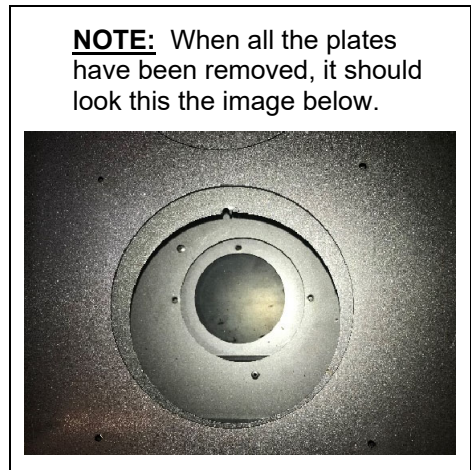
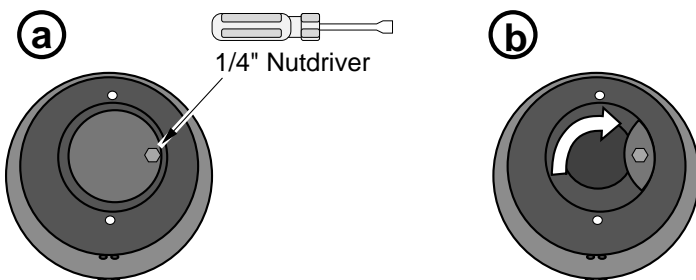
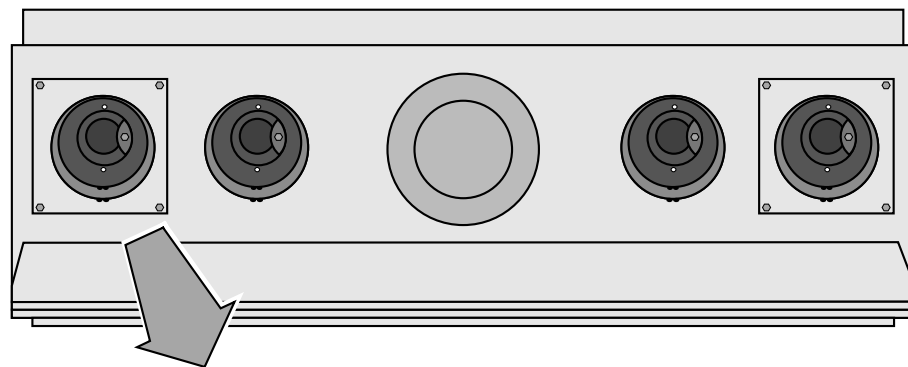
- Under the second layer of knockout plates, you will find cover plates held in place with (2) 1/4" screws. Use a nut driver or drill with an extension to remove the (2) screws. Reach in and remove the cover plate. You may discard the plates.



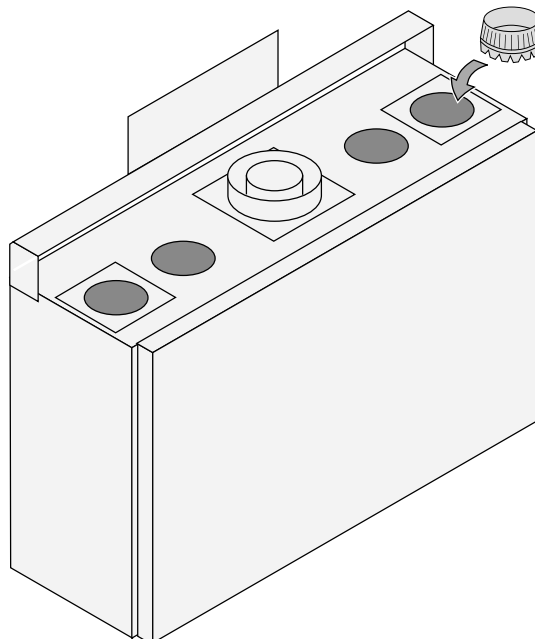
Fourth (final) Layer

- Once the third layer is removed, a final cover plate will be visible. Use a 1/4" nut driver to loosen the screw securing the plate. Reach in and rotate the cover plate to uncover the final hole.

NOTE: The final plate does not get removed from the fireplace, just rotated to uncover the hole. Once the plate has been rotated, tighten the screw to lock the plate in place.

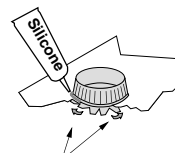


- Install the starter collars onto the fireplace (see below).



Starter Collar

Use silicone to seal the starter collar to the top of the fireplace.



Bend the tabs on the bottom of the starter collar up to lock it in place.

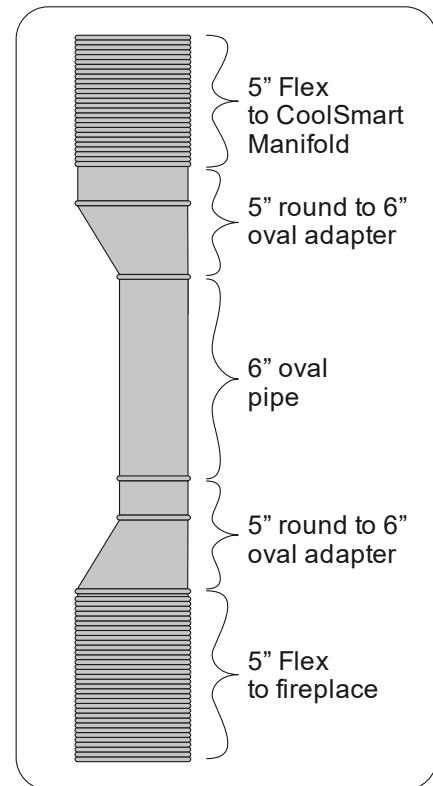
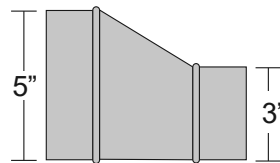
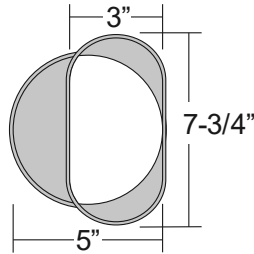
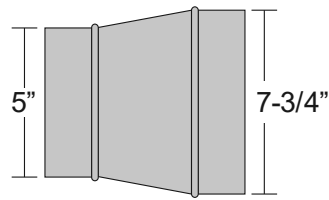
- Install the fireplace into the framed chase. See section "Installation" in the manual.

CoolSmart TV - Using oval pipe to get past an obstruction

If a situation arises that obstructs the CoolSmart flex vent runs (such as getting past a minimum sideways vent) you may transition the 5" flex vent to a ridged nominal 6" oval pipe to get past the obstruction. Transition back to the 5" round flex and continue to the manifold.

The adapters and ridged pipe should be factory ovalized, not field ovalized.

NOTE: All clearances to combustibles must be maintained.

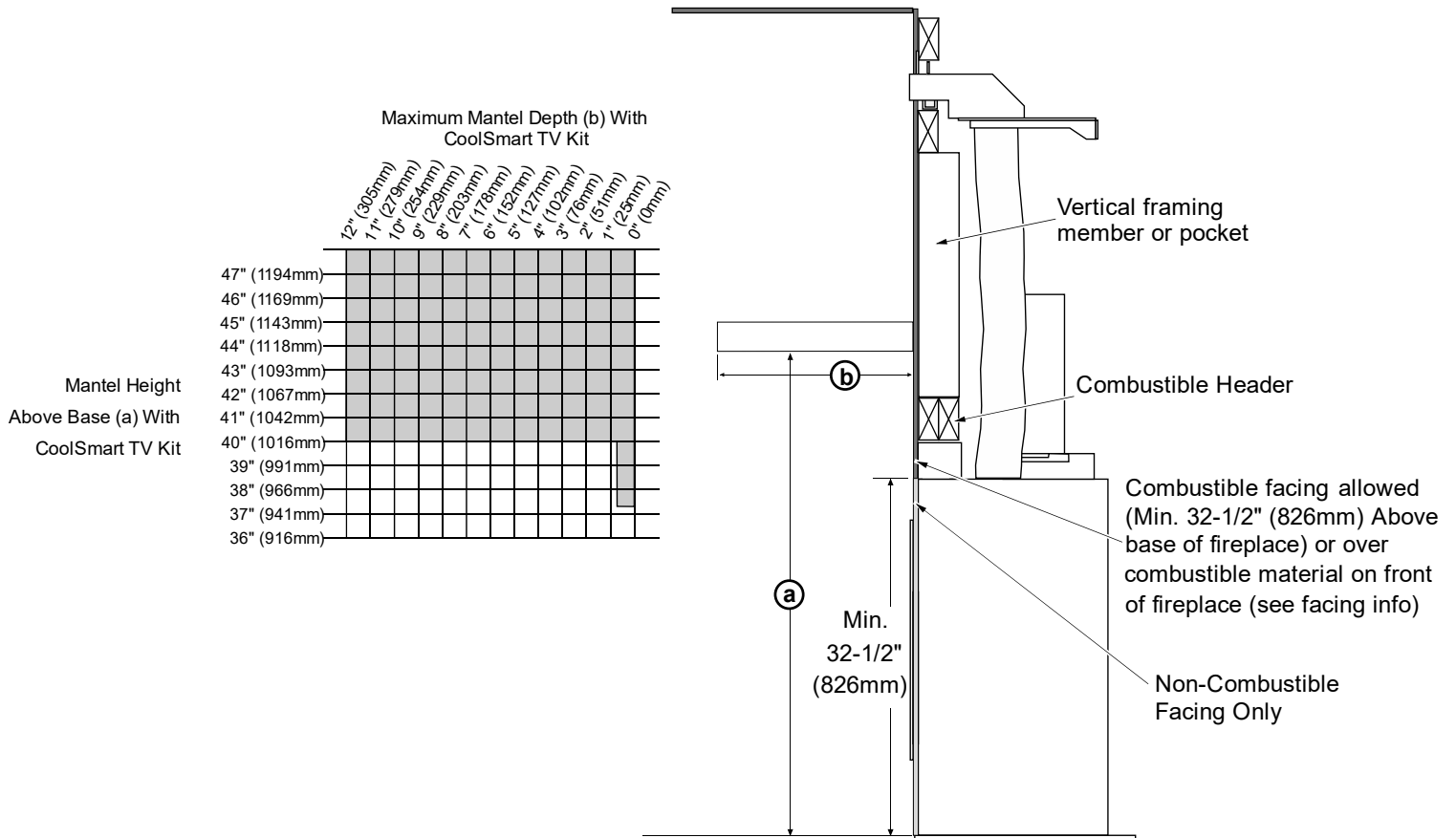


CoolSmart TV - Mantel Clearances

When using this kit, disregard the combustible mantel requirements in the manual and follow the requirements shown to the right.

If you wish to place a TV above the mantel, it must meet the following requirements:

- Minimum 1" air gap behind the TV to the wall.
- The mantel must extend 2" in front of the TV and 1" to both sides.



Additional Items Required	7	LP Conversion Instructions	53
Air Shutter Adjustment	45	Mantel Column Clearances	42
Altitude Considerations	20	Mantel Requirements	42
Approved Vent	20	Masonry Chimney Conversions	31
Approved Vent Configurations	24	Massachusetts Approval	2
Class A Chimney Conversion	32	Massachusetts Requirements	8
Clearances	9	Minimum Framing Dimensions	11
Corner Installations	15	National Fireplace Institute	2
Crushed Glass Installation	52	Overview	2
Diffuser	26	Packing List	7
Dimensions	6	Power Heat Duct Installation (Optional)	58
Electrical Connection	19	Raised Fireplaces	9
Exhaust Restrictor	24	Recommended Installation Procedure	7
Fireback Installation	50	Restrictor Position	24
Fireplace Placement Requirements	9	Safety Warnings	4
Fuel	17	Steps for Finalizing the Installation	44
Gas Line Connection	17	Termination Requirements	33
Gas Line Location	18	Vent Clearances	20
Gas Line Requirements	17	Vent Configuration	
Glass Frame Removal and Installation	46	Vent Firestop	20
Hearth Requirements	34	Vent Installation	21
Heating Specifications	6	Vent Requirements	20
Installation Options	6	Vinyl Flooring Hearth Recommendations	35
Intake Restrictor	25	Wiring Diagram	57
Listing Details	2		