

**FIREPLACE**  
**XTRORDINAIR**

**MOD-FYRE™ DELUXE GAS  
FIREPLACE INSERT COLLECTION**





## All Fireplace Inserts Are Not Created Equal

There are a lot of nice fireplace inserts out there that you might like. Allow us to introduce you to our incredible gas inserts that you are going to love.

We offer two extraordinary models of premium Mod-Fyre™ Deluxe gas burning fireplace inserts from Lopi® and Fireplace Xtordinair®. Both models feature the under-lit Mod-Fyre™ Burner with a variety of transitional media options, firebacks, and architectural designer faces to complement any interior style, from traditional to contemporary (see pages 8-11).

The Mod-Fyre™ inserts come standard with our Deluxe GreenSmart® features, such as Comfort Control™, accent lighting, quiet convection fans, and more. Learn more about our exciting GreenSmart® features on pages 14-15.

While the 430 Mod-Fyre™ fits more compact fireplace openings without compromising on the viewing area, the 616 Mod-Fyre™ fits larger fireplace openings and gives you an even larger viewing area. The controls and valves are located to the left and right of the firebox, allowing the ceramic glass to extend down to the floor of the hearth to give you an open, full view of fire.

*Cover photo features the 616 Mod-Fyre™ shown with the Lopi® Black Painted Profile Face, Black Glass Fireback, Ember-Glo™ Glass & Rock Ember Media, Driftwood & Stones Log Set, One-Piece Finish Panel, and Hidden Wiring Kit*

### MID-SIZED FIREPLACE INSERT PAGES 4-5



430 MOD-FYRE™ DELUXE, 31,000 BTUs

### LARGE FIREPLACE INSERT PAGES 6-7



616 MOD-FYRE™ DELUXE, 39,000 BTUs

### New Mod-Fyre™ Burner

The new Mod-Fyre™ Burner features an incredible display of fire with tall, dancing flames and under-lit floor lighting that completely surrounds the burner. This gives you a sophisticated, modern appearance that is complemented by any of our sleek crushed glass media options, or gives you a transitional look when paired with our Ember-Glo™ Glass & Rock Embers media that mimics glowing coals throughout the firebox floor.

The Mod-Fyre™ inserts feature adjustable overhead accent lighting to highlight your custom media choices, adding to the dramatic look of your fire presentation.



Scan this QR Code to watch the 430 Mod-Fyre™ burning in action.

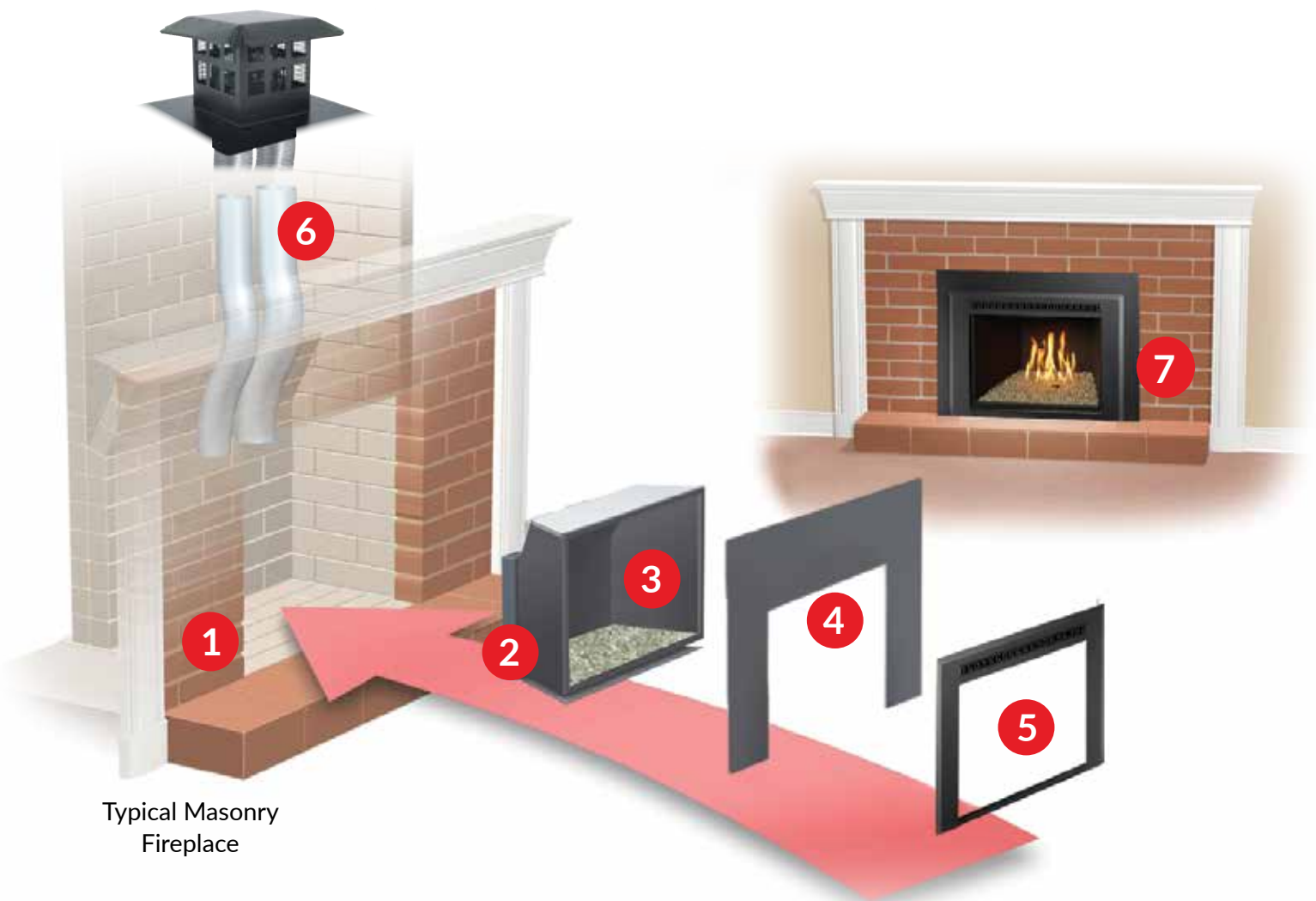
# AN INSERT FOR EVERY FIREPLACE

## Turn Your Fireplace Into An Efficient Heat Source

Lopi® and Fireplace Xtrordinair® gas inserts allow you to enjoy a gorgeous, glowing fire without losing heat out of your chimney. These inserts are designed to transform virtually any masonry or zero clearance (metal) fireplace into an efficient source of heat. Traditional, open fireplaces can have efficiency ratings as low as 15%, and depending on the condition, can actually draw the heat out of your home for a net heat loss. Our heater-rated gas inserts achieve steady state efficiency ratings as high as 86%.

## All of Our Gas Inserts Feature A Direct Venting System

This dual-liner system allows for direct venting through an existing masonry chimney with one liner to vent exhaust and the other liner to provide combustion air and maintain indoor air quality.



Typical Masonry Fireplace

1

Measure Your Existing Masonry or Metal (Zero Clearance) Fireplace

2

Select the Insert That Best Fits Your Fireplace

3

Customize Your Interior Design

4

Select A Finish Panel

5

Pick One of the Designer Faces

6

Add the Co-Linear Direct Vent Chimney

7

Enjoy the Heat!



*This 430 Mod-Fyre™ is shown with the Fireplace Xtrordinair® Metropolitan™ Face, Black Glass Fireback, Platinum Crushed Glass Media, Birch & Stones Log Set, One-Piece Finish Panel, and Hidden Wiring Kit.*

## Transitional 1,500 Square Foot Heater with Large Viewing Area

The 430 Mod-Fyre™ Deluxe is a beautiful insert that is ideal for providing supplemental heat to homes or living spaces up to 1,500 square feet. Featuring 368 square inches of ceramic glass, this model has a larger fireview than most inserts its size. The ceramic glass extends down to the hearth to offer a “clean face” look that resembles a traditional masonry fireplace. This model features standard 360 degree under lighting, the Mod-Fyre™ Burner, and Comfort Control™ to accommodate your year-round heating requirements. More standard features include the GreenSmart® Remote Control, top Accent Lighting, and a 180 CFM convection fan. Learn more about our exciting GreenSmart® features on pages 14-15.

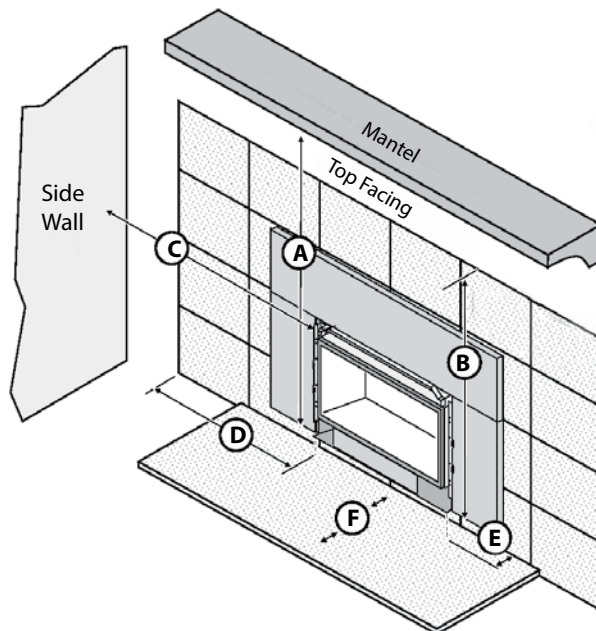
### Design Choices

- Wide array of designer faces - Required
- Four colors of Crushed Glass or Ember-Glo™ & Rock Embers media - Required
- Log/Stone Sets: Tumbled Stones, Driftwood & Stones, Birch & Stones - Optional
- Black Painted or Black Glass fireback choice - Required
- Choice of small and large one-piece panels. Custom fit panels are also available. - Required
- Hidden Wiring Kit: Allows you to hard wire the insert from within the firebox. No power cord on your hearth. - Optional

### Specifications

Heating Capacity:	Up to 1,500 Square Feet
Maximum BTU/HR Input:	31,000 (NG/LP)
Minimum BTU/HR Input:	9,900 (NG), 7,500 (LP)
Turn Down Ratio:	68% (NG), 76% (LP)
Steady State Efficiency (High):	Up To 85.55% (NG), 86.50% (LP)
P4 Canadian Efficiency:	73.77% (NG), 74.73% (LP)
Dimensions:	Height 19-1/2", Width 29-1/2" (Front), 21" (Back), Depth 15"
Glass Viewing Area:	24-3/8" W x 17-5/8" H = 368 Sq. In.

### Clearances To Combustibles & Hearth Protection



1	34-1/2" = 12" Mantle Depth, 33-1/2" = 4" Mantle Depth
2	32-3/8"
3	5"
4	3-3/8"
5	0" or 1-1/4" with Trim Kit
6	0"



*This 616 Mod-Fyre™ is shown with the Lopi® Times Square™ Face, Black Glass Fireback, Ember-Glo™ Glass & Rock Ember Media, Tumbled Stones Log Set, One-Piece Finish Panel, and Hidden Wiring Kit*

## Transitional 2,000 Square Foot Heater with Large Viewing Area

The 616 Mod-Fyre™ Deluxe is a beautiful insert that is ideal for providing supplemental heat to homes or living spaces up to 2,000 square feet. Featuring 542 square inches of ceramic glass, this model has a larger fireview than most inserts its size. The ceramic glass extends down to the hearth to offer a “clean face” look that resembles a traditional masonry fireplace. This model features standard 360 degree under lighting, the Mod-Fyre™ Burner, and Comfort Control™ to accommodate your year-round heating requirements. More standard features include the GreenSmart® Remote Control, top Accent Lighting, and a 180 CFM convection fan. See pages 14-15 to learn more about our exciting GreenSmart® features.

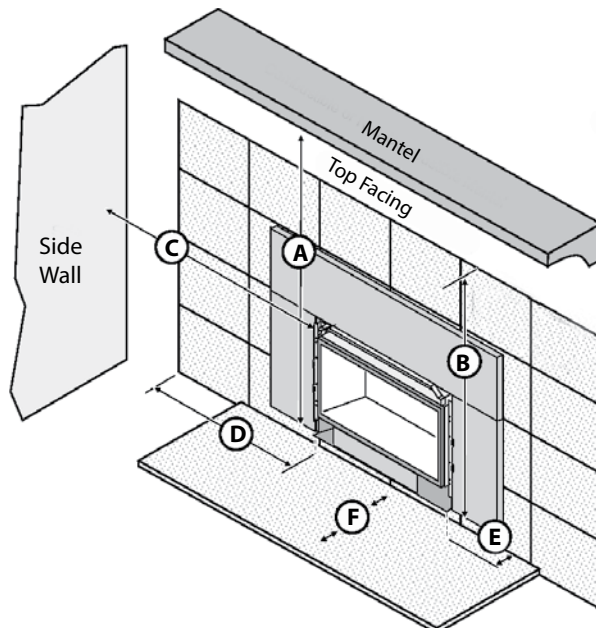
### Design Choices

- Wide array of designer faces - Required
- Four colors of Crushed Glass or Ember-Glo™ & Rock Embers media - Required
- Log/Stone Sets: Tumbled Stones, Driftwood & Stones, Birch & Stones - Optional
- Black Painted or Black Glass fireback choice - Required
- Choice of small and large one-piece panels. Custom fit panels are also available. - Required
- Hidden Wiring Kit: Allows you to hard wire the insert from within the firebox. No power cord on your hearth. - Optional

### Specifications

Heating Capacity:	Up to 2,000 Square Feet
Maximum BTU/HR Input:	39,000 (NG/LP)
Minimum BTU/HR Input:	12,000 (NG), 9,000 (LP)
Turn Down Ratio:	69% (NG), 77% (LP)
Steady State Efficiency (High):	Up To 83.88% (NG), 85.39% (LP)
P4 Canadian Efficiency:	71.19% (NG), 73.04% (LP)
Dimensions:	Height 23-5/16", Width 34" (Front), 24" (Back), Depth 16"
Glass Viewing Area:	27-3/4" W x 19-3/4" H = 542 Sq. In.

### Clearances To Combustibles & Hearth Protection



A	36-1/2" with 12" Mantel 33" with 4" Mantel
B	6"
C	5"
D	35-1/2"
E	0" or 1-1/4" with Trim Kit
F	0"

# FIREPLACEX® & LOPI® 430 & 616 FACE COLLECTIONS

Both Lopi® and Fireplace Xtrordinair® feature their own unique architectural styles of rectangular and arched face designs. We invite you to take a look at our selection of designer faces and choose the style that best suits your home.

## FireplaceX® Metropolitan™ Face

430 31" W x 22" H  
616 35-1/2" W x 25-5/8" H

*Metallic Black Painted*



## Lopi® Wilmington™ Face

430 31-1/8" W x 22" H  
616 35-1/2" W x 25-3/4" H

*Metallic Black Painted*



## FireplaceX® Shadowbox™ Face

430 31" W x 21" H  
616 35-1/2" W x 24-5/8" H

*Metallic Black Painted*



## Lopi® Times Square™ Face

430 31-1/8" W x 22" H  
616 35-1/2" W x 25-3/4" H

*Metallic Black Painted*







Our faces are painted with Stove Bright™ high temperature stove paint. The finish color in pictures may appear lighter than the actual color seen in your home setting. Ask your dealer to show you a sample of the actual paint finish, as well as other color options available to personalize your new fireplace insert.

Note: All faces intentionally show the same flame pattern so you can focus your attention on the architectural detailing of each face design.

## Lopi® Profile™ Face Collection

430 31-1/8" W x 20-1/2" H

616 35-3/4" W x 24-3/8" H

*Metallic Black Painted Face and Trim*



*Metallic Black Painted Face and Bronze Painted Trim*



*Metallic Black Painted Face and Stainless Steel Trim*



**DESIGN YOUR  
DREAM FIRE**

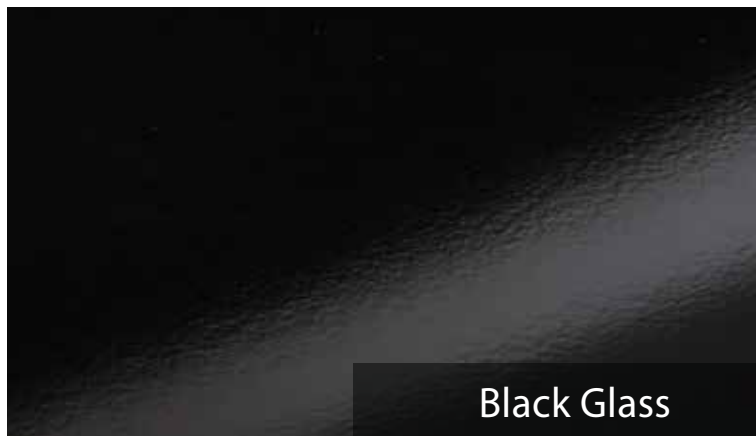
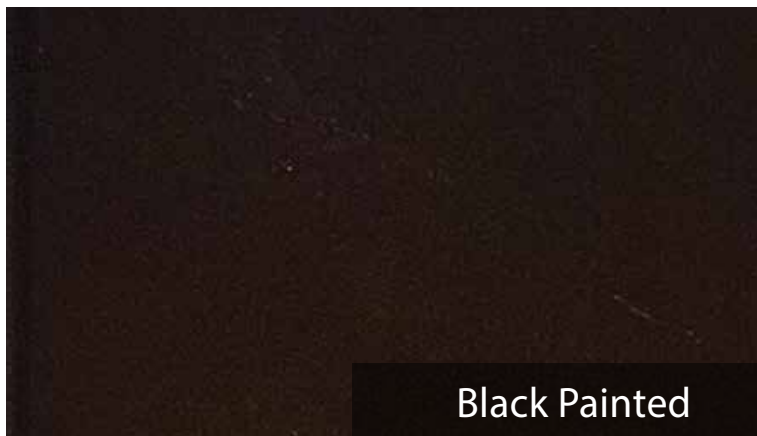
FROM THE COMFORT  
OF YOUR  
HOME

Upload a  
photo to see  
what your new  
fire will look like  
in your home.

**Lopi**  
EXTRAORDINAIRE  
FIREPLACE

Design your perfect fire at:  
[firebuilder.travisindustries.com](http://firebuilder.travisindustries.com)

## FIREBACK CHOICES



## MEDIA CHOICES



# LOG SET AND MEDIA OPTIONS

Tumbled Stones, Platinum Glass



Tumbled Stones, Ember-Glo™ & Rock Embers



Driftwood & Stones, Platinum Glass



Driftwood & Stones, Ember-Glo™ & Rock Embers



Birch Logs & Stones, Platinum Glass



Birch Logs & Stones, Ember-Glo™ & Rock Embers



One-piece panels are available for all models and come in two sizes. Optional black trim is available that can reduce depth into firebox by 1-1/4".

## One-Piece Finish Panels

Clean look with no seams. Available with optional black trim that can reduce depth into firebox by 1-1/4".



Shown: One-Piece Finish Panel with 616 Mod-Fyre™

## Custom Finish Panels

We also offer custom fit three-sided and four-sided finish panels to fit virtually any size fireplace opening. Ask your dealer for details.



Shown: 4-Sided Custom Panel with 616 Mod-Fyre™

### 430 Mod-Fyre™

SMALL PANEL

38" W x 25" H

LARGE PANEL

40" W x 28-1/2" H

### 616 Mod-Fyre™

SMALL PANEL

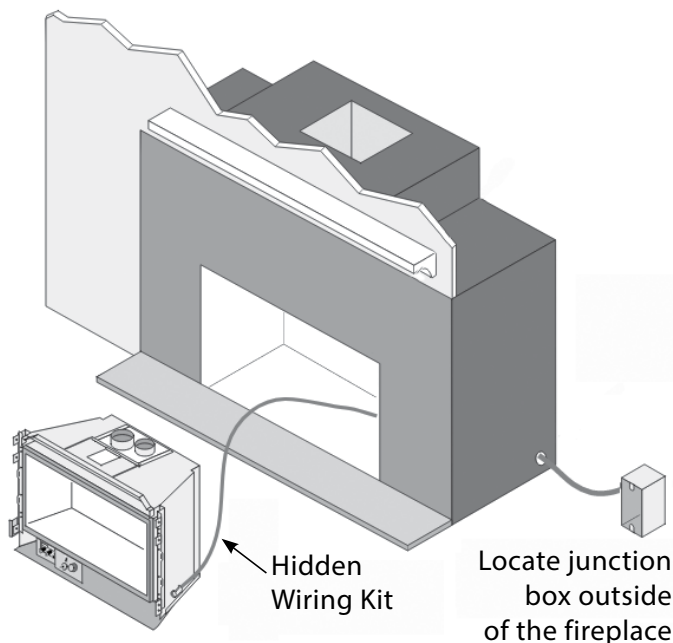
42" W x 30-1/2" H

LARGE PANEL S

44" W x 34" H



Shown: 3-Sided Inside Fit Custom Panel with 430 Mod-Fyre™



## Hidden Wiring Kit

If you do not want the power cord running across your hearth, use our optional U.L. approved Hidden Wiring Kit. This kit allows you to have a hard-wire electrical connection within your existing fireplace for a safe and cord free installation. Available for all gas insert models.

# FEATURES & SPECIFICATIONS

## MID-SIZED

## LARGE

FEATURES YOU'RE GOING LOVE	430 MOD-FYRE™ DELUXE	616 MOD-FYRE™ DELUXE
Mod-Fyre™ Burner	YES	YES
GreenSmart™ Remote	YES	YES
Comfort Control	YES	YES
Accent Lights	YES (Top, Under Lighting)	YES (Top, Under Lighting)
Flex Vent Diameter	3" Exhaust - 3" Air Intake	4" Exhaust - 3" Air Intake
Unit Weight	106 lbs.	133 lbs.
Glass Viewing Area <i>(viewing glass will vary slightly with face design)</i>	24-3/8" W x 17-5/8" H 368 sq. in.	27-3/4" W x 19-3/4" H 542 sq. in.
Powerful Convection Fans	180 CFM	180 CFM

### PERFORMANCE

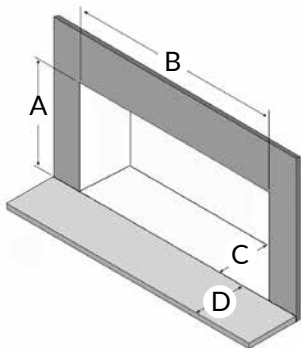
\*Heating Capacity can be affected by negative pressure in the home and by prevailing atmospheric conditions. Contact local building or fire officials about restrictions and installation requirements in your area.

Heating Capacity*	Up to 1,500 square feet	Up to 2,000 Square feet
BTU Input (NG)	31,000 (high) - 9,900 (low)	39,000 (high) - 12,000 (low)
BTU Input (LP)	31,000 (high) - 7,500 (low)	39,000 (high) - 9,000 (low)
Turn Down Ratio	68% (NG), 76% (LP)	69% (NG), 77% (LP)
Steady State Efficiency Up To (High) <i>Steady State Efficiency determined using maximum venting</i>	85.55% (NG), 86.50% (LP)	83.88% (NG), 85.39% (LP)
Canada Energuide Efficiency <i>FE Efficiency determined using CSA P4.1-15.</i>	73.77% (NG), 74.73% (LP)	71.19% (NG), 73.04% (LP)
AFUE Efficiency	81.80% (NG), 80.70% (LP)	74.10% (NG), 73.70% (LP)

### FIREPLACE REQUIREMENTS

Installation information is available at your local dealer or online at [www.travisindustries.com](http://www.travisindustries.com)

	ONE PIECE PANEL	ONE PIECE PANEL W/ TRIM	ONE PIECE PANEL	ONE PIECE PANEL W/TRIM
A = Minimum Height	20-1/4" (515mm)	19-3/4" (502mm)	24" (610mm)	23-1/2" (597mm)
B = Minimum Width	30-1/2" (775mm)	30-1/4" (768mm)	35" (889mm)	34-5/8" (880mm)
C = Minimum Depth	15-1/2" (394mm)	14-1/4" (357mm)	16-1/2" (420mm)	15-1/4" (387mm)
D = Hearth Extension	0"	1-1/4" (32mm)	0"	1-1/4" (32mm)



### YOUR FIREPLACE

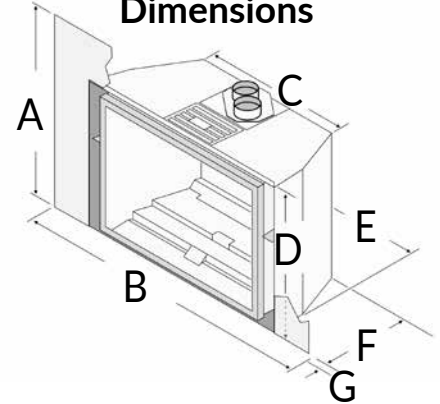
- A Height = \_\_\_\_\_
- B Width Front = \_\_\_\_\_  
Width Back = \_\_\_\_\_
- C Depth = \_\_\_\_\_
- D Hearth = \_\_\_\_\_  
Extension = \_\_\_\_\_

### SURROUND PANEL SIZES

Measurements for each panel is for maximum fireplace opening coverage. 3 and 4 sided Custom Fit Panels are available from your Fireplace Xtordinaire® or Lopi® dealer.

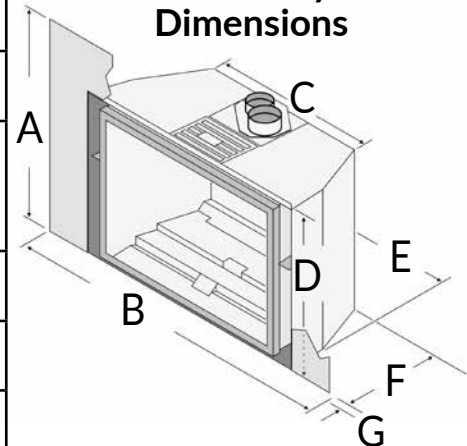
One Piece Small	38" W x 25" H	42" W x 30-1/2" H
One Piece Large	40" W x 28-1/2" H	44" W x 34" H

### 430 Mod-Fyre™ Dimensions



A	Small Panel 25" (635mm) Large Panel 28-1/2" (724mm)
B	Small Panel 38" (966mm) Large Panel 40" (1016mm)
C	21" (534mm)
D	19-1/2" (496mm)
E	29-1/2" (750mm)
F	15" (381mm)
G	0" with 1 piece panel 1-1/4" (32mm) when using 1 piece panel with trim

### 616 Mod-Fyre™ Dimensions



A	Small Panel 30-1/2" (775mm) Large Panel 34" (864mm)
B	Small Panel 42" (1067mm) Large Panel 44" (1118mm)
C	24" (610mm)
D	23-5/16" (592mm)
E	34" (864mm)
F	16" (406mm)
G	0" with 1 piece panel 1-1/4" (32mm) when using 1 piece panel with trim

# GREEN SMART™

The Mod-Fyre™ Deluxe Gas Inserts feature the patented GreenSmart® System. This proprietary system is the most innovative collection of components, controls, and technology that when combined provides an elegant, greener, and smarter way to heat your home.

## GreenSmart® Deluxe Multi-Function Wireless Thermostat Remote Control



- Two Thermostat Settings
- Change Between IPI GreenSmart® and CPI Pilot Modes
- Flame Adjustment (6 levels)
- Convection Fan Operation (6 levels)
- Accent Lights (6 levels)
- Comfort Control™ (Controls rear burner)
- Under lighting



## Manual Setting ON/OFF

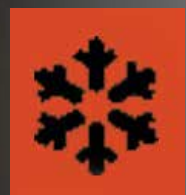
Fire and fan stay where you manually set it.

## Thermostat Setting

Fireplace insert turns ON/OFF to maintain your desired home/room temperature.

## Smart Thermostat Setting

Automatically adjusts the flame height based on the temperature setting, so the flame will modulate up/down as opposed to shutting ON/OFF like normal thermostats. This setting conserves fuel and maximizes the unit's heating ability while extending the viewing pleasure of the fire.



## Choice of Pilot Modes - Easily Switch Between IPI & CPI Modes:

### IPI GreenSmart®- Intermittent Pilot Mode

Use in summer or milder heating days to reduce gas consumption from the pilot. The pilot only turns on when the unit calls for heat, saving more energy.

### CPI - Continuous Pilot Mode

Use in fall/winter or in cold climate areas. CPI keeps the pilot on at all times. This warms the vent system to maintain a strong draft in your chimney and reduce moisture condensation on the glass.

This system includes a battery back-up, ensuring proper ignition, even during power outages.



## Flame Adjustment

Your new insert is a great heater!  
Adjust the height/heat of the flame.  
6 levels of flame heights to choose from.



## Convection Fans

Circulates room air around the firebox and delivers heated air into your home.  
6 speeds to choose from.



## Top Accent Lights

This feature adds a warm glow to both the logs and firebox interior, and can be used when the fire is on or off. Perfect as a nightlight or soft indirect lighting for the room, the Accent Lighting allows for visual enhancement of your insert 365 days a year. 6 levels to choose from.



## Comfort Control™

Comfort Control™ lets you enjoy the flames and ambiance of your insert year-round, without all the heat. This feature allows you to turn down the heat output by up to 77%, while leaving the front burner on for an attractive flame appearance. Perfect for those Early-Fall or Late-Spring days when heat output is not the priority, Comfort Control™ offers a more efficient way to heat your home while maintaining the beauty of your fire.



## Under Lighting

Ember-Glo™ combines adjustable halogen under-lighting with colored glass and embers to provide an amazingly realistic ember bed effect on the firebox floor.



Under Lighting Off



Under Lighting On

# PROFESSIONAL HEARTH DEALERS

Only the most professional specialty hearth retailers are selected to sell Fireplace Xtrordinair® and Lopi® fireplace inserts. They represent our total commitment to exceptional products and excellent service. In addition, they have successfully completed special training programs in the proper selection, installation, and service of all Fireplace Xtrordinair® and Lopi® products.

Your professional Fireplace Xtrordinair® and Lopi® hearth dealers are experts who can advise you on everything from customizing the color of your appliance to selecting appropriate venting and chimney materials.

## ADDITIONAL HEARTH PRODUCTS

Fireplace Xtrordinair® and Lopi® produce a wide variety of quality wood, pellet and gas appliances. Find your favorite fire today by visiting: [www.TravisIndustries.com](http://www.TravisIndustries.com).



## TESTED & CERTIFIED

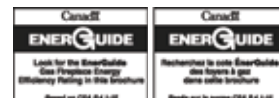
ANSI Z21.88:19/CSA 2.33:19 "Vented Gas Fireplace Heater", CSA 2.17-2017 "Gas-Fired Appliances For Use At High Altitudes", and CSA P.4.1-15 Testing method for measuring annual fireplace efficiency. We recommend all Fireplace Xtrordinair® and Lopi® appliances be installed and maintained on an annual basis by your Specialty Hearth Retailer.

Improper installation of your gas appliance or failure to operate it in accordance to the guidelines detailed in the Owner's Manual may negate your warranty and endanger your home and family. Installation information is available on our website at [www.TravisIndustries.com](http://www.TravisIndustries.com).

YOUR AUTHORIZED DEALER:



Manufactured by  
Travis Industries,  
Mukilteo, WA



We reserve the right to change and improve our product at any time without prior notification. Please refer to the Owner's Installation Manual for complete installation requirements.

Photos and illustrations are for descriptive purposes only. Fireplace Xtrordinair® and Lopi® Gas Fireplaces are protected by one or more of the following patents; U.S. 8,469,021, 7,066,170, 6,602,068, 6,443,726, 6,953,037; Canada 2755517 as well as other U.S. and Foreign Patents Pending.

Copyright ©04/2023 • #98801093