



CLEAN DOESN'T MEAN COMPROMISE

# RENAISSANCE UPTOWN 600 INSTALLATION MANUAL



We recommend our products be installed and serviced by **certified U.S. National Fireplace Institute or Canadian Wood Energy Technology Transfer Inc.** professionals only.



Keep this manual for future reference.

## NOTE TO THE INSTALLER

**Dear Installer,**

The Renaissance UPTOWN 600 Fireplace is a member of the Renaissance family of luxury fireplaces. The contemporary styling combines technology with elegance, allowing you to enjoy an open fire in a modern fashion.

Our engineers designed your fireplace to be easy to install, operate and maintain. This manual includes vital fireplace and chimney system planning, preparation and installation details. Read this manual prior to starting the installation to ensure all requirements are met. For operation and maintenance guidelines, please refer to the Owner's Manual, included with the Fireplace.

Make sure to give both manuals, installation and owner's, to the homeowner or to leave them in a visible place.

Our team holds personal safety and protection with the highest regard, and we pride ourselves with the quality of our work. We welcome comments and feedback concerning the installation of the Renaissance UPTOWN 600. Contact us by phone or email.

Sincerely,

The Renaissance Fireplaces™ Team



Industrial Chimney Company Inc.  
400 J.-F. Kennedy, St-Jerome,  
Quebec, Canada, J7Y 4B7  
Telephone: (450) 565-6336  
Email: [technical@icc-rsf.com](mailto:technical@icc-rsf.com)  
[www.icc-rsf.com](http://www.icc-rsf.com)




## TABLE OF CONTENTS

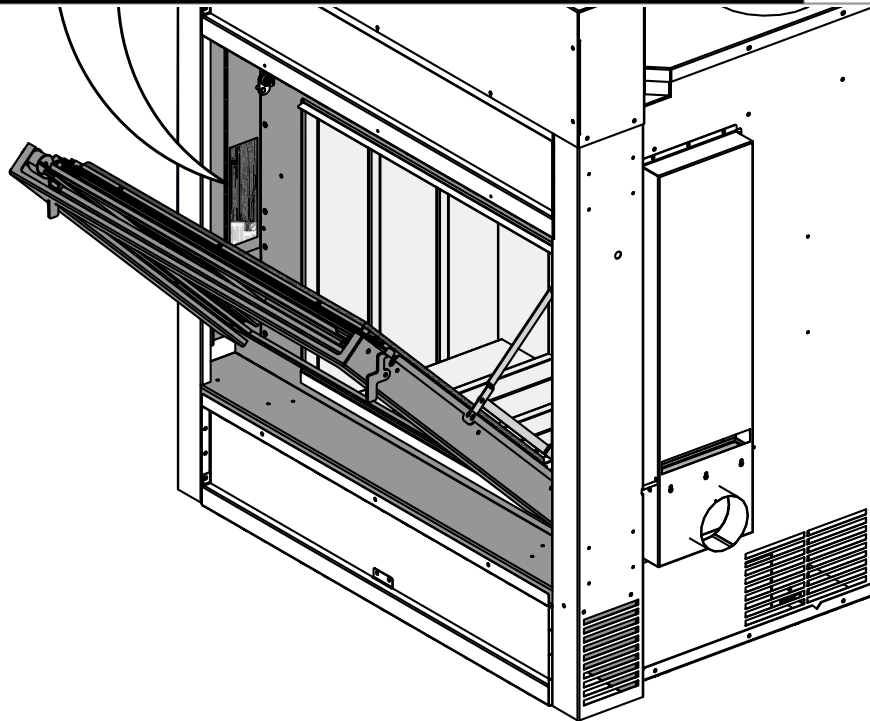
<b>RENAISSANCE UPTOWN 600 LISTING LABEL</b>	<b>4</b>
<b>IMPORTANT INSTALLATION SAFETY PRECAUTIONS</b>	<b>5</b>
<b>YES! WHAT TO DO</b>	<b>5</b>
<b>NO! WHAT NOT TO DO</b>	<b>5</b>
<b>COMBUSTIBLE VS NON-COMBUSTIBLE MATERIAL</b>	<b>5</b>
<b>PLANNING THE INSTALLATION</b>	<b>6</b>
<b>RECOMMENDATIONS</b>	<b>6</b>
<b>CHOOSING A LOCATION AND RESTRICTIONS</b>	<b>6</b>
<b>GENERAL SPECIFICATIONS</b>	<b>8</b>
<b>MANDATORY FIREPLACE OPTIONS</b>	<b>8</b>
<b>FIREPLACE SPECIFICATIONS</b>	<b>9</b>
<b>FRAMING OVERVIEW</b>	<b>9</b>
<b>CHIMNEY OVERVIEW</b>	<b>13</b>
<b>HEAT REDISTRIBUTION SYSTEM (HRS) OVERVIEW &amp; OPTIONS</b>	<b>14</b>
Standard HRS System (provided with the fireplace)	14
HRS Options	14
<b>FIREPLACE ASSEMBLY</b>	<b>15</b>
<b>INCLUDED WITH THE RENAISSANCE UPTOWN 600</b>	<b>15</b>
<b>MOVING THE UPTOWN 600</b>	<b>16</b>
<b>ACCESSING THE INSIDE OF THE FIREPLACE</b>	<b>17</b>
<b>ENGAGING THE GUILLOTINE SYSTEM</b>	<b>18</b>
<b>REDUCING THE FIREPLACE WEIGHT</b>	<b>19</b>
<b>MANDATORY – ANTI-TIP BRACKETS</b>	<b>19</b>
<b>MANDATORY CLEARANCES</b>	<b>20</b>
<b>FIREPLACE CLEARANCES</b>	<b>20</b>
<b>HRS AIR INTAKES (BOTTOM)</b>	<b>21</b>
<b>HRS HOT AIR OUTLETS (TOP)</b>	<b>22</b>
Hot Air Outlet Installation	23
<b>HEARTH EXTENSION REQUIREMENTS</b>	<b>23</b>
<b>OUTSIDE AIR INTAKE</b>	<b>25</b>
<b>CHIMNEY</b>	<b>26</b>
<b>CHIMNEY REQUIREMENTS</b>	<b>26</b>
<b>OFFSETTING THE CHIMNEY</b>	<b>27</b>
<b>THROUGH THE WALL OFFSET</b>	<b>27</b>
<b>OUTSIDE CHASE ENCLOSURE</b>	<b>28</b>
<b>CHIMNEY INSTALLATION</b>	<b>28</b>
<b>MASONRY CHIMNEY</b>	<b>29</b>
Using an Existing Masonry Chimney	30
Using a New Masonry chimney	30
<b>FINISHING</b>	<b>31</b>
<b>FIREPLACE FACING</b>	<b>31</b>
<b>DECORATIVE FACING FINISH</b>	<b>32</b>
<b>MANTEL</b>	<b>32</b>
<b>FIREBOX LINING INSTALLATION</b>	<b>34</b>
<b>MANDATORY TRIM INSTALLATION</b>	<b>35</b>
Straight Trim (for Heavier Masonry) EO-RUPST	35
Frame Trim (for Tile or Cement Board Finish) EO-RUPFT	36
<b>GLASS CLEANING</b>	<b>37</b>
<b>REPLACEMENT PARTS</b>	<b>37</b>
<b>30 YEAR LIMITED WARRANTY</b>	<b>39</b>

# RENAISSANCE UPTOWN 600 LISTING LABEL

The listing label is affixed to the left side of the guillotine bay. To access it, open the fireplace door in Maintenance Mode.

The listing label is permanently affixed and should not be removed.

<b>RENAISSANCE UPTOWN 600</b> LISTED FACTORY-BUILT FIREPLACE AND SPACE HEATER		<b>DO NOT REMOVE THIS LABEL</b> TESTED TO: UL 127 / CAN/ULC-S610 / CAN/ULC-S627									
<b>COMPONENTS REQUIRED FOR INSTALLATION:</b> <ul style="list-style-type: none"> <li>◆USE 4 IN. OR 5 IN. (102 OR 127MM) DIAMETER FLEXIBLE DUCT AND COMBUSTION AIR INLET ASSEMBLY.</li> <li>◆USE THE ICC MODEL 8 IN. (203 MM) EXCEL CHIMNEY AND LISTED COMPONENTS AS PER INSTALLATION INSTRUCTIONS.</li> <li>◆TWO GRAVITY VENTS SYSTEM AND TWO CIRCULATING AIR INTAKES MUST BE INSTALLED IN ACCORDANCE WITH THE MANUFACTURER'S INSTALLATION INSTRUCTIONS MANUAL.</li> <li>◆REFER TO MANUFACTURER'S INSTALLATION AND OPERATING INSTRUCTIONS FOR OPTIONAL COMPONENTS.</li> <li>◆INSTALL AND USE ONLY IN ACCORDANCE WITH THE MANUFACTURER'S INTALLATION AND OPERATING INSTRUCTIONS. ◆DO NOT OBSTRUCT COMBUSTION AIR INLET. ◆A FIREPLACE INSTALLED WITHOUT OUTSIDE PROVISION AIR COULD STARVE OTHER FUEL BURNING APPLIANCES OF COMBUSTION, VENTILATION AND DILUTION AIR AS A RESULT OF FIREPLACE OPERATION. ◆DO NOT USE A FIREPLACE INSERT OR OTHER PRODUCTS NOT SPECIFIED FOR USE IN THIS PRODUCT. ◆COMBUSTIBLE MATERIALS OTHER THAN MANTEL SHELF ARE NOT PERMITTED ON FACE OF UNIT. ◆COMBUSTIBLE FLOOR MUST BE PROTECTED AS SPECIFIED IN THE INSTALLATION INSTRUCTION MANUAL. ◆GAS LOG SHALL BE CERTIFIED FOR THE APPLICATION. ◆WARNING: THIS FIREPLACE HAS NOT BEEN TESTED WITH AN UNVENTED GAS LOG SET. TO REDUCE RISK OF FIRE OR INJURY, DO NOT INSTALL AN UNVENTED GAS LOG SET INTO FIREPLACE.</li> <li>◆REPLACE GLASS ONLY WITH 5MM CERAMIC GLASS. ◆OPERATE ONLY WITH FIREBRICKS IN PLACE. ◆FOR USE WITH SOLID WOOD FUEL ONLY.</li> <li>◆OPERATE THIS FIREPLACE WITH THE DOOR CLOSED OR THE FIRESCREEN CLOSED.</li> <li>◆DO NOT OVERFIRE UNIT.</li> </ul>											
<table border="1"> <thead> <tr> <th colspan="2">MINIMUM CLEARANCES TO COMBUSTIBLE MATERIALS</th> </tr> </thead> <tbody> <tr> <td>SIDEWALL</td> <td>20 IN. / 508 MM FROM GUILLOTINE BAY OPENING</td> </tr> <tr> <td>HEIGHT OF MANTEL SHELF 0-12 IN. (0-305 MM DEEP)</td> <td>14 IN. / 356 MM FROM GUILLOTINE BAY OPENING</td> </tr> <tr> <td>UNIT BACK, SIDES AND BOTTOM</td> <td>0 IN. / 0 MM TO SPACERS</td> </tr> </tbody> </table>				MINIMUM CLEARANCES TO COMBUSTIBLE MATERIALS		SIDEWALL	20 IN. / 508 MM FROM GUILLOTINE BAY OPENING	HEIGHT OF MANTEL SHELF 0-12 IN. (0-305 MM DEEP)	14 IN. / 356 MM FROM GUILLOTINE BAY OPENING	UNIT BACK, SIDES AND BOTTOM	0 IN. / 0 MM TO SPACERS
MINIMUM CLEARANCES TO COMBUSTIBLE MATERIALS											
SIDEWALL	20 IN. / 508 MM FROM GUILLOTINE BAY OPENING										
HEIGHT OF MANTEL SHELF 0-12 IN. (0-305 MM DEEP)	14 IN. / 356 MM FROM GUILLOTINE BAY OPENING										
UNIT BACK, SIDES AND BOTTOM	0 IN. / 0 MM TO SPACERS										
		THIS APPLIANCE MEETS THE EMISSION LEVEL (g/kg) REQUIRED BY THE U.S. ENVIRONMENTAL PROTECTION AGENCY (EPA), AS PER TEST PROTOCOL ASTM 2558 "STANDARD TEST METHOD FOR DETERMINING PARTICULATE MATTER EMISSIONS FROM FIRES IN LOW MASS WOOD-BURNING FIREPLACES".									
		<b>936305</b>									
		 FIREPLACE: FIRE CHAMBER FOR USE WITH ICC CERTIFIED MODEL RESIDENTIAL TYPE AND BUILDING HEATING APPLIANCE CHIMNEY. NUMBER: _____  SERIAL NO. / NO DE SÉRIE _____ DATE MANUFACTURED / DATE DE FABRICATION _____ MADE IN CANADA BY FABRIQUÉ AU CANADA PAR ICC, 400 J.F.KENNEDY, ST-JEROME, QC, CANADA, J7Y 4B7									



## IMPORTANT INSTALLATION SAFETY PRECAUTIONS

Carefully follow all instructions. Improper installation of this fireplace and chimney system could result in a house fire. Detailed explanations are in the sections which follow.

For information about local building code requirements or the need for a permit, contact your local municipal jurisdiction or fire department.



### YES! WHAT TO DO

1. **DO** read this entire manual before starting the installation.
2. **DO** exercise caution when moving and positioning the fireplace.
3. **DO** respect the mandatory installation sections.
4. **DO** inspect the fireplace, chimney, and parts/components for damage prior to installation.
5. **DO** install all required parts and components as instructed.



### NO! WHAT NOT TO DO

6. **DO NOT** modify this fireplace or install parts or components unapproved for use with this fireplace.
7. **DO NOT** install an unvented gas log set, gas lighter, wood-burning fireplace insert or other products unspecified for use with this fireplace.
8. **DO NOT** over fire this unit. Refer to operation instructions in the **Owner's Manual**.
9. **DO NOT** allow combustible material within the minimum clearance area of the fireplace and chimney system.
10. **DO NOT** install non-combustible materials in the required air flow spaces (e.g. do not install non-combustible insulation inside a radiation shield).
11. **DO NOT** install an insert in this fireplace.

## COMBUSTIBLE VS NON-COMBUSTIBLE MATERIAL

The National Fire Protection Association (NFPA) defines *Non-Combustible Materials* as materials that if used as directed, will not ignite, burn, support combustion, or release combustible vapors when subjected to heat or flame. *Non-Combustible Materials* have passed the ASTM E136, Standard Test Method for Behavior of Materials in a Vertical Tube Furnace at 750°C<sup>1</sup>.

*Combustible Materials* are thus any materials that did not pass the ASTM E136 test such as anything surfaced or including wood, plant fibers, plywood, Oriented Strand Board (OSB), compressed paper, plastic and gypsum board (often called drywall or sheetrock)<sup>2</sup> which can ignite and burn, whether it is flame-proofed or not, plastered or not plastered.

<sup>1</sup> NFPA 211, Chimneys, Fireplaces, Vents, and Solid Fuel-Burning Appliances

<sup>2</sup> Note that gypsum board, whether fire-rated or not is considered combustible.

## PLANNING THE INSTALLATION

### RECOMMENDATIONS

Before beginning we strongly recommend adequate planning of your installation, including the chimney, the mandatory air grill locations and hearth protection.

Refer to Figure 1 for an installation overview including critical components and warnings. The planning process may involve your retail salesperson, installation personnel, outside contractors and local building officials.

A building permit may be required. Check with your local authority to obtain the necessary approvals before beginning. Close attention to detail and clear communication are important to be sure that your Renaissance UPTOWN 600 Fireplace is installed according to the requirements in this manual and complies with local building codes.



**IF THIS FIREPLACE IS NOT PROPERLY INSTALLED, A HOUSE FIRE MAY RESULT. FOR YOUR SAFETY, FOLLOW THE INSTALLATION INSTRUCTIONS AND CLEARANCE GUIDELINES.**

### CHOOSING A LOCATION AND RESTRICTIONS

When choosing a location for your fireplace, consideration should be given to best optimize the performance of your chimney.

Optimal performance is achieved when a large portion of the chimney is within the building envelope, centrally situated, allowing the chimney to terminate as close to the peak as possible.

An insulated chase enclosure may be an acceptable alternative for the fireplace and chimney.

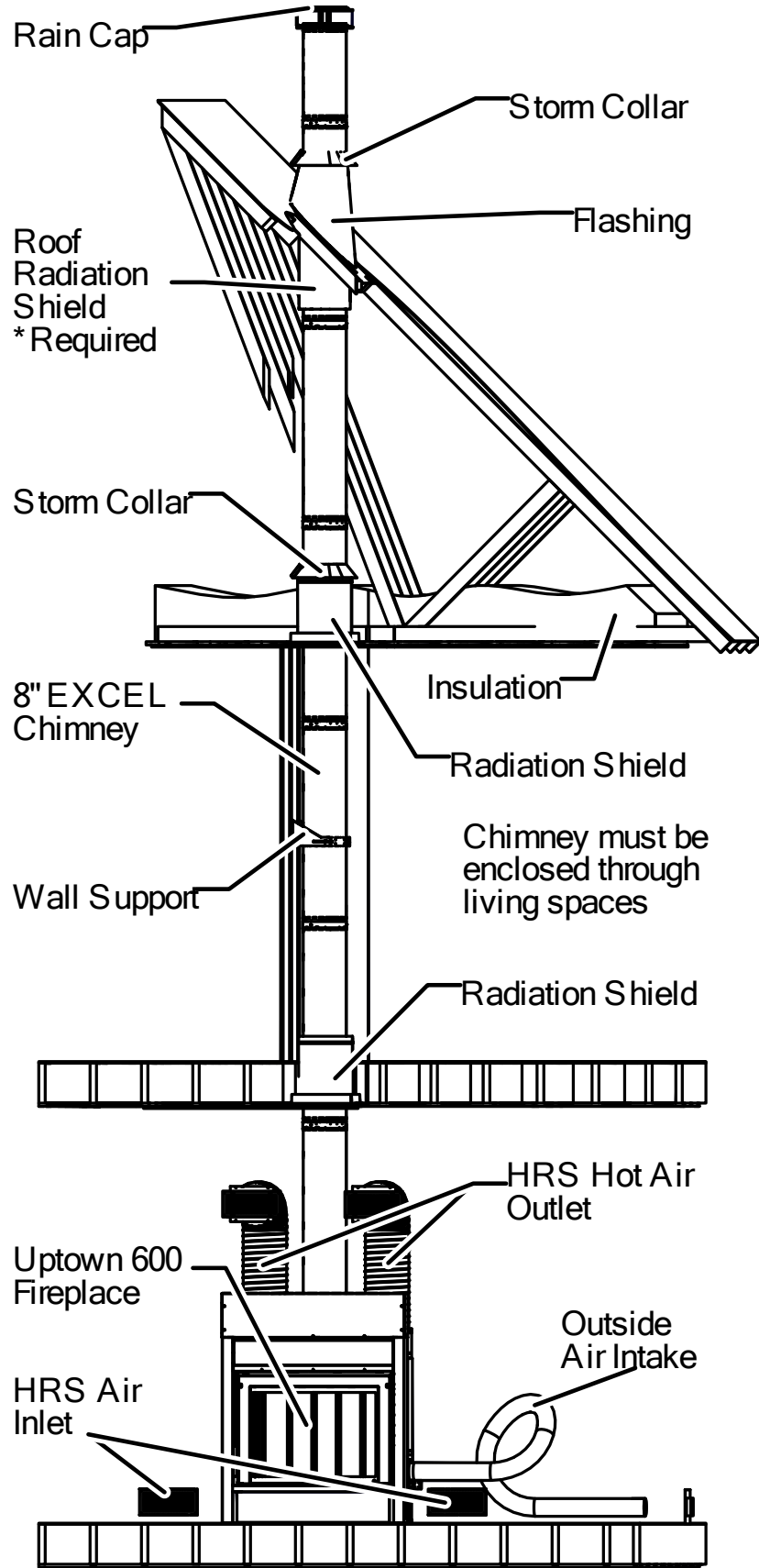


**THERE ARE LOCATIONS WHERE THE FIREPLACE IS STRICTLY PROHIBITED:**

**THE FIREPLACE MUST NOT BE INSTALLED OUTSIDE THE VAPOR BARRIER OF THE HOME.**

**THE FIREPLACE MUST NOT BE INSTALLED OUTDOORS OR WITHIN A THREE SEASON PORCH.**





**FIGURE 1** GENERAL INSTALLATION OVERVIEW

## GENERAL SPECIFICATIONS

Under the 2015 U.S. EPA (Environmental Protection Agency) regulation, the Renaissance UPTOWN 600 is defined as a **fireplace** primarily for its decorative and aesthetic prominence offering more than 500 square inches of pure fire viewing (584 square visible inches).

It has met the United States Environmental Protection Agency (EPA) Voluntary Wood Burning Fireplace Program Phase 2 emission level. It is:

- Clean burning with an emission rate of 4.76 g/kg with a typical burn rate of 4.75 kg/h when burned with the door open and the firescreen closed as tested with ASTM 2558<sup>3</sup> test protocol,
- Clean burning with an emission rate of 2.52 g/kg with a typical burn rate of 4.16 kg/h, when burned with the door closed as tested with ASTM 2558<sup>3</sup> test protocol, and
- Weight when crated is 705 lbs.
- Do not remove the fireplace from its skid until it is ready to be installed.
- This fireplace is designed to burn wood logs; vented gas logs sets may also be used. For gas log installation instructions, visit [www.renaissancefireplaces.com](http://www.renaissancefireplaces.com)
- Gas log lighters are not permitted because they will burn out prematurely.



**WARNING**

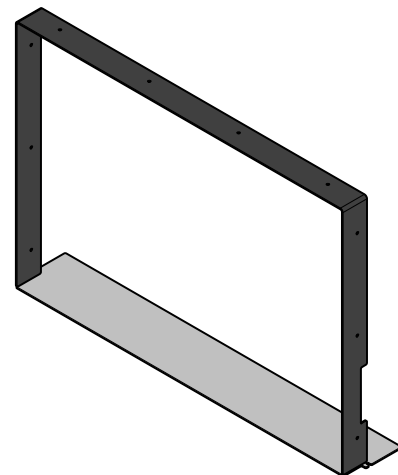
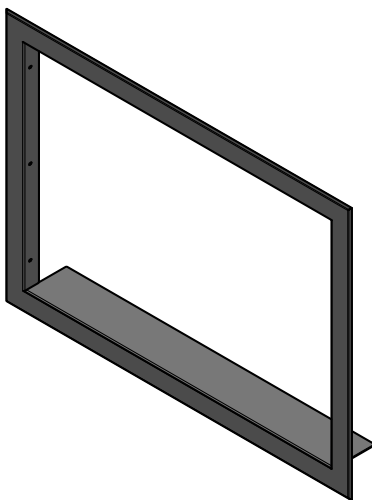
**THIS FIREPLACE HAS NOT BEEN TESTED WITH AN UNVENTED GAS LOG SET. TO REDUCE RISK OF FIRE OR INJURY, DO NOT INSTALL AN UNVENTED GAS LOG SET INTO THIS FIREPLACE.**

## MANDATORY FIREPLACE OPTIONS

A choice of trim is required to complete the installation and finishing of the Uptown 600.

### Straight Trim (for heavier masonry) EO-RUPST

The Straight Trim projects straight out the front opening of the fireplace by  $\frac{3}{4}$ " when installed. If the finishing material is thick (e.g. brick, stone, etc.), it will provide a finished edge to butt against.



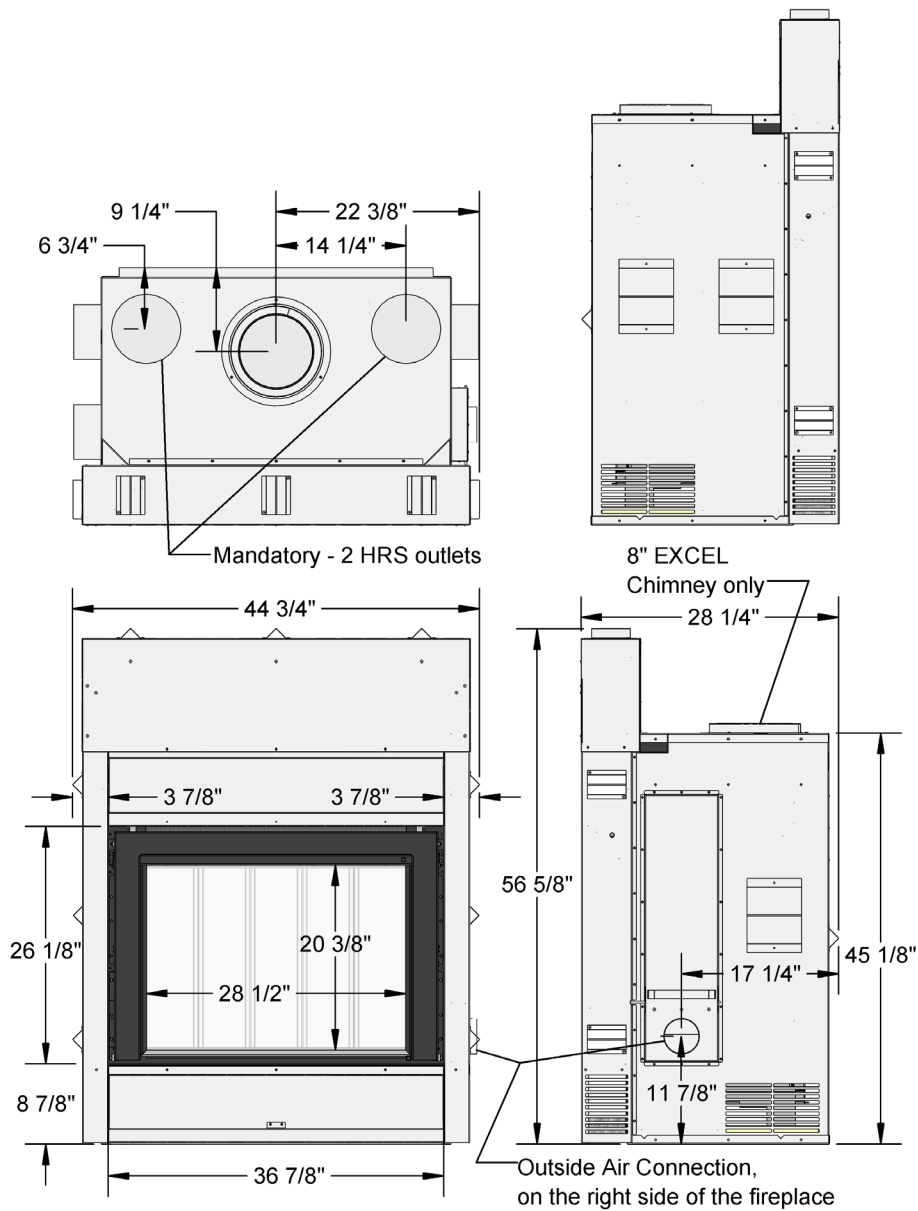
### Frame Trim (for tile or cement board finish) EO-RUPFT

The Frame Trim partially overlaps the wall and covers the edge where the finishing meets the fireplace. It is ideal for installations finished with thin materials (e.g. tile, cement board, etc.).

<sup>3</sup> ASTM 2558: Standard Test Method for Determining Particulate Matter Emissions from Fires in Low Mass Wood-Burning Fireplaces.



# FIREPLACE SPECIFICATIONS

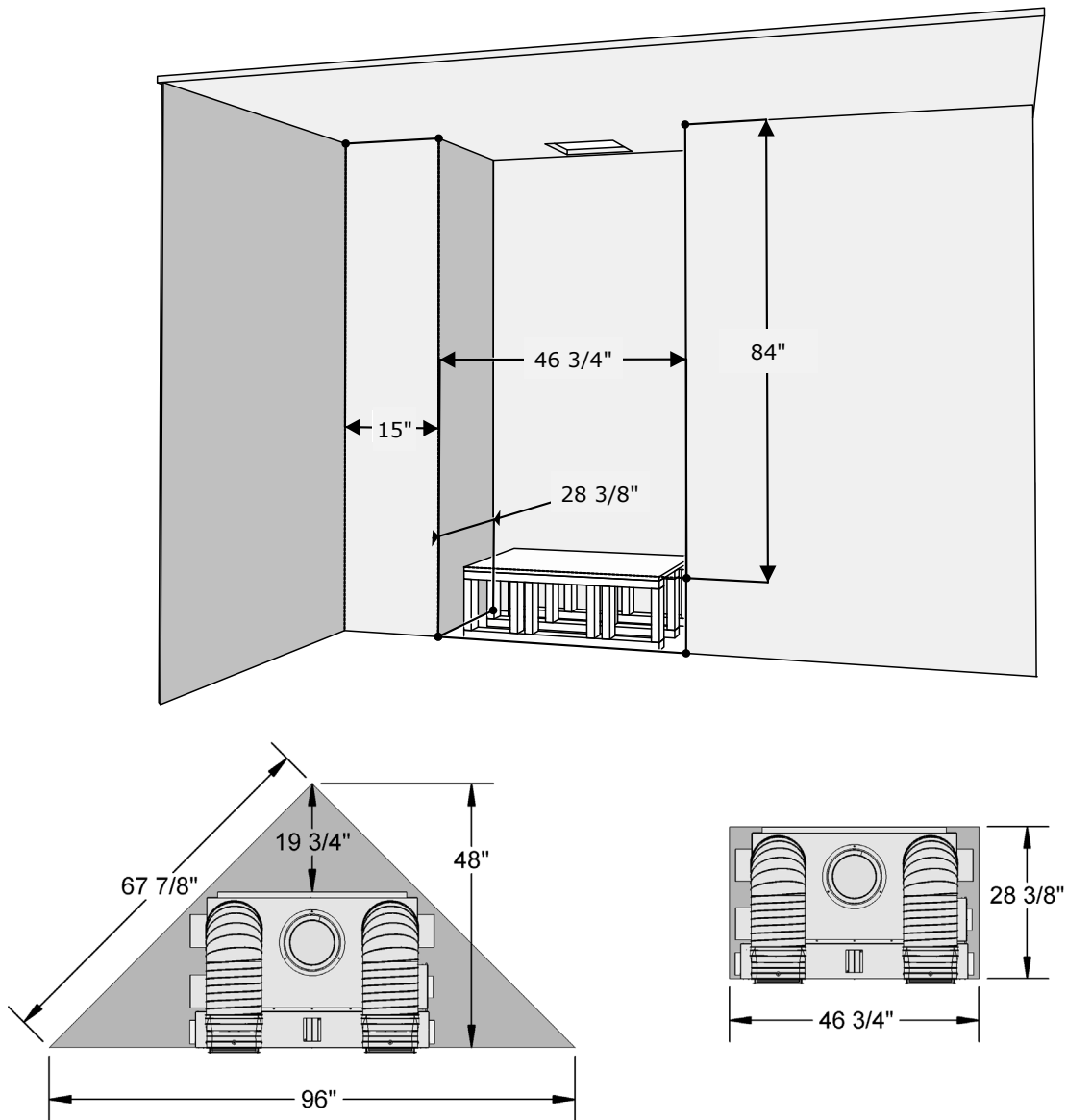


**FIGURE 2 FIREPLACE DIMENSIONS**

## FRAMING OVERVIEW

Steel studs are required in some areas of this installation, see Figure 5.

Walls on all interior sides of the fireplace enclosure should be finished and flat. Insulation or other materials should not be placed in required clearance spaces around the fireplace.



The minimal recommended framing dimensions do not take into consideration the space required for the outside air connection and duct or the HRS Air Intakes because the location for these and the space required are specific to your installation. Take the time the plan.

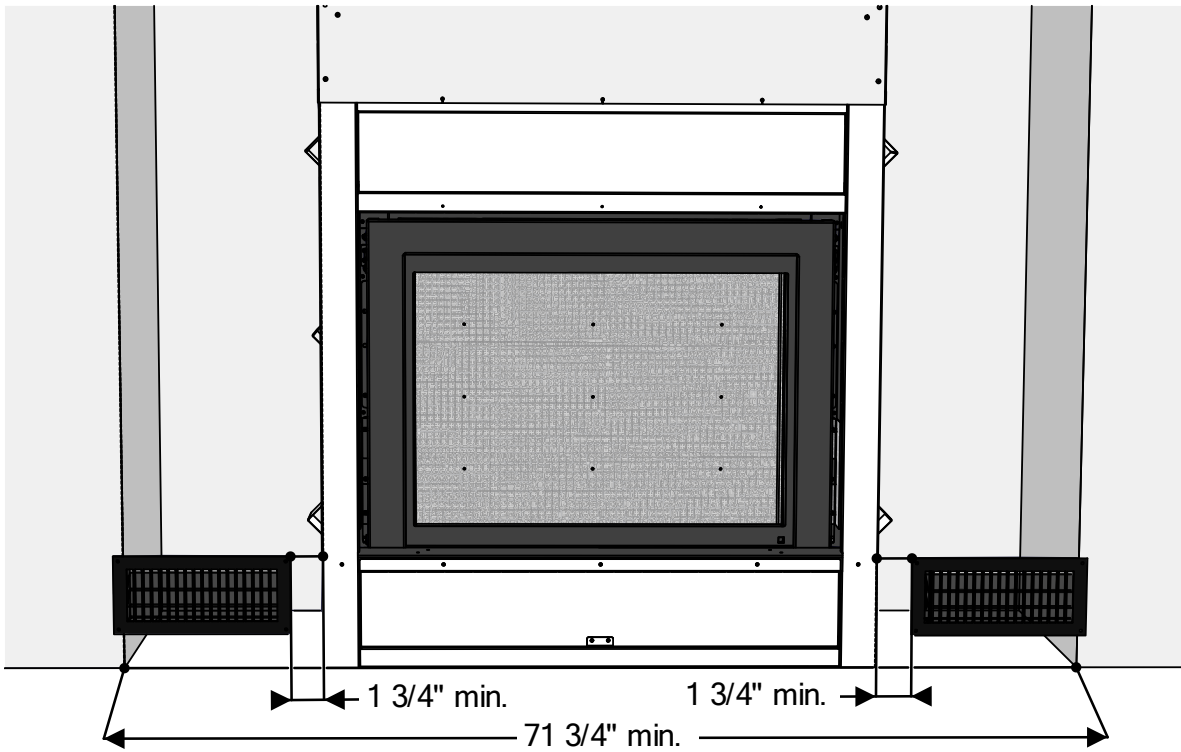
**FIGURE 3 MINIMAL FRAMING DIMENSIONS**



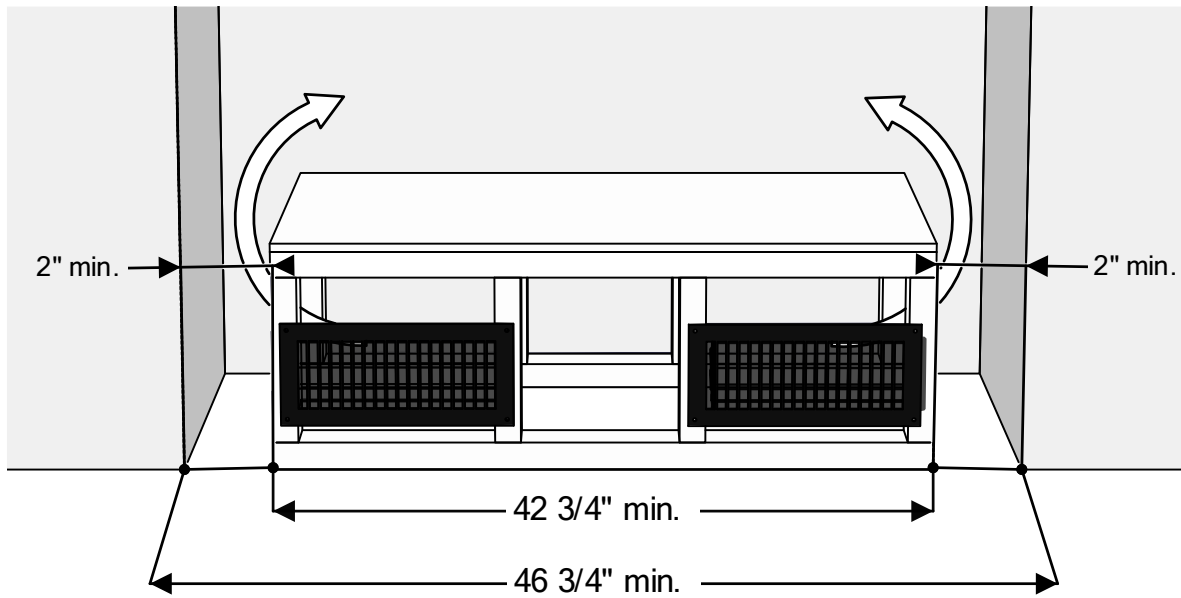
**IMPORTANT: A NON-COMBUSTIBLE HEARTH EXTENSION IS REQUIRED IN FRONT OF THIS FIREPLACE. REFER TO THE "HEARTH EXTENSION REQUIREMENTS" SECTION OF THIS MANUAL FOR MORE INFORMATION ON THE HEARTH EXTENSION AND ITS REQUIREMENTS.**

For duct clearance requirements, refer to the "Heat Redistribution System (HRS) Overview" in this manual.

For finishing specifications and allowable materials, refer to the "Fireplace Facing" section in this manual.

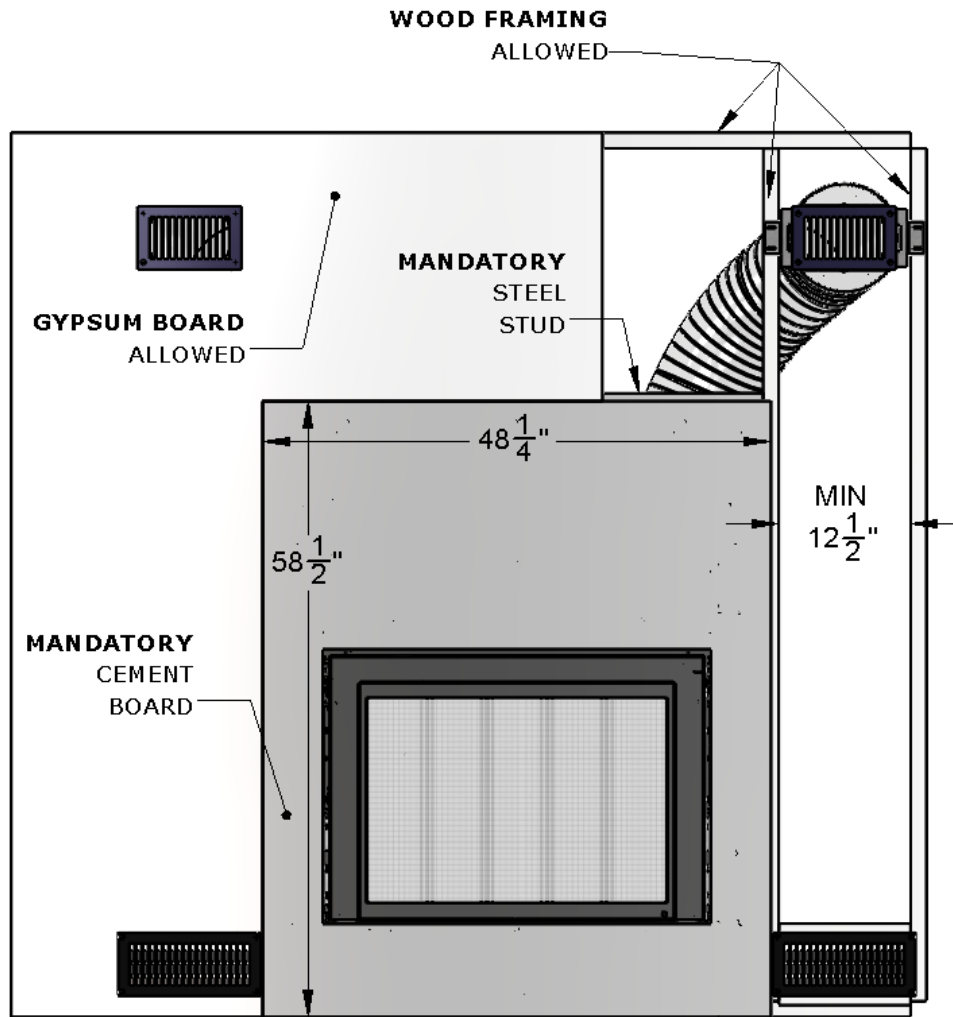


**Minimal enclosure dimensions for HRS air intake grills beside the fireplace.**  
 The HRS intake grills must not block the air vents on the sides of the fireplace casing.



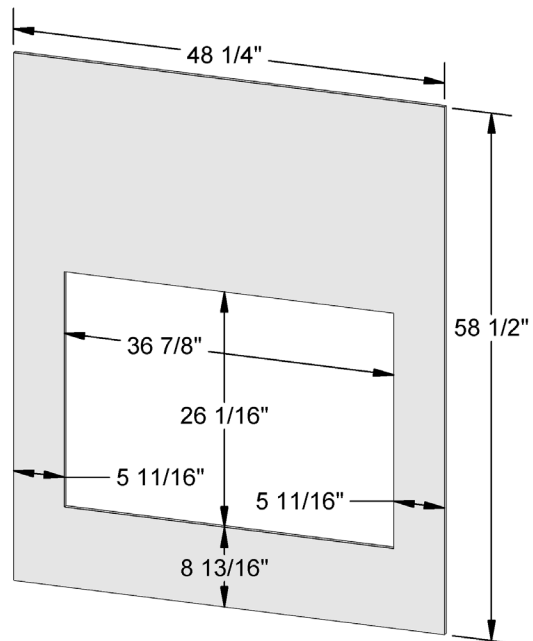
**Minimum enclosure dimensions for HRS air intake grills beneath the fireplace.**  
 The enclosure must be at least 4" wider than the platform to allow adequate air flow.

**FIGURE 4 FRAMING DIMENSIONS WITH HRS DUCTS**



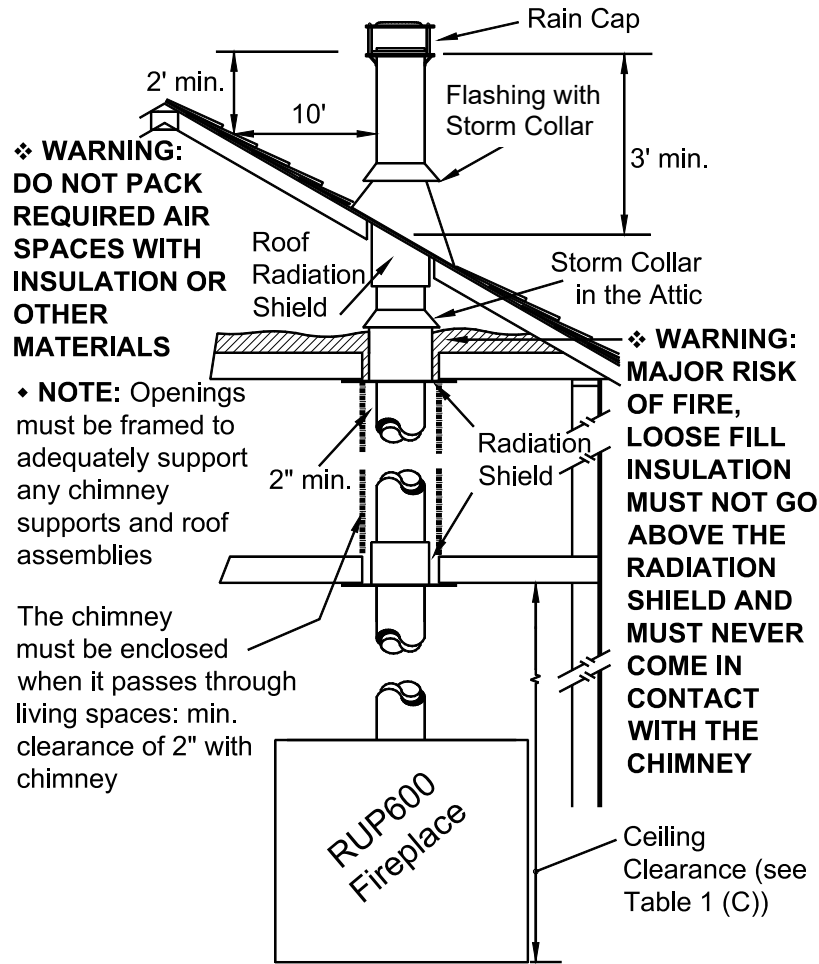
**FIGURE 5** NON-COMBUSTIBLE AND COMBUSTIBLE STRUCTURE AND SURFACE

For a cleaner, more stable facing, it is recommended that the cement board covering the fireplace facing is cut from a single board rather than piecing together multiple parts.



**FIGURE 6** CEMENT BOARD ON FIREPLACE

# CHIMNEY OVERVIEW



**FIGURE 7 GENERAL CHIMNEY REQUIREMENTS**

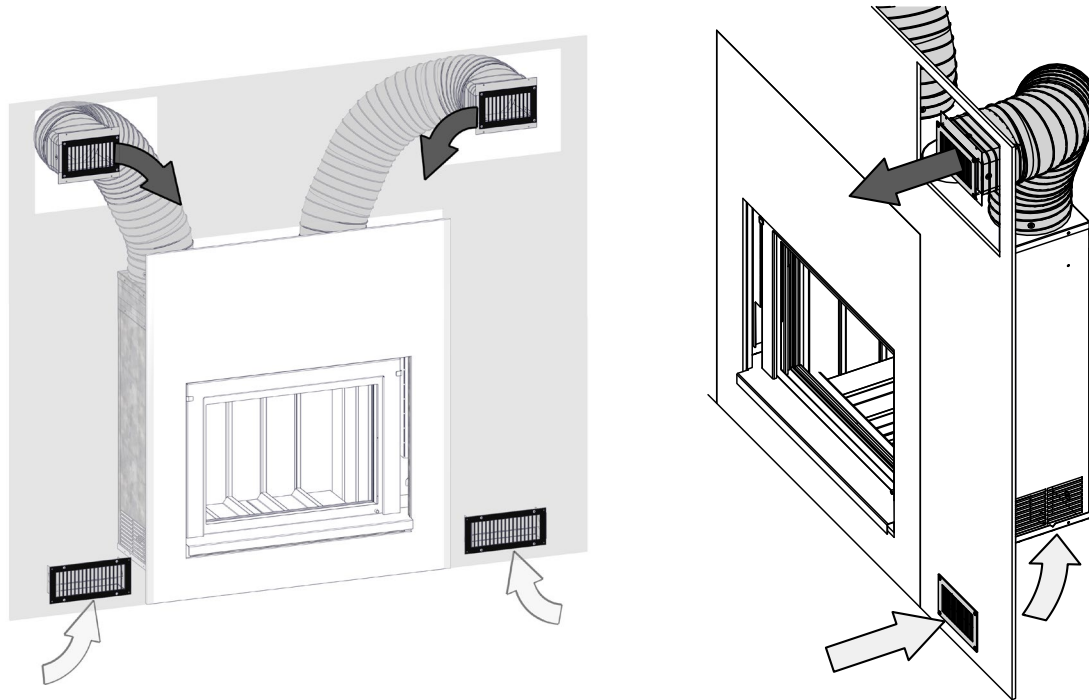
**TABLE 1 CHIMNEY SPECIFICATIONS**

Chimney size and type	EXCEL 8" only	
Minimum chimney height: from the top of the fireplace to the chimney cap	12'	3,66 m
Maximum chimney height from the top of the fireplace to the chimney cap	40'	12,19 m
Maximum chimney height supported by the fireplace without additional supports	16'	4,88 m
Minimum clearance between the exterior of the chimney and any combustibles	2"	51 mm
Maximum number of offsets (2 elbows per offset)	2	

## HEAT REDISTRIBUTION SYSTEM (HRS) OVERVIEW & OPTIONS

The UPTOWN 600 fireplace generates a significant amount of heat. To reduce the heat which accumulates between the fireplace and the surrounding chase, it is MANDATORY to install the HRS System included with the fireplace.

The HRS system relies on the natural draft of hot air rising and does not require a blower or electricity.



**FIGURE 8 HRS OVERVIEW**

### **STANDARD HRS SYSTEM (PROVIDED WITH THE FIREPLACE)**

Two rectangular AIR INTAKE GRILLS (13 ½" x 6" with front frame) for installation below the fireplace, in the bottom stand-off area.

Two rectangular HOT AIR OUTLET GRILLS (9 ½" x 6") for installation above the fireplace. The two Hot Air Outlet Grills are connected to the top of the fireplace with insulated ducts.

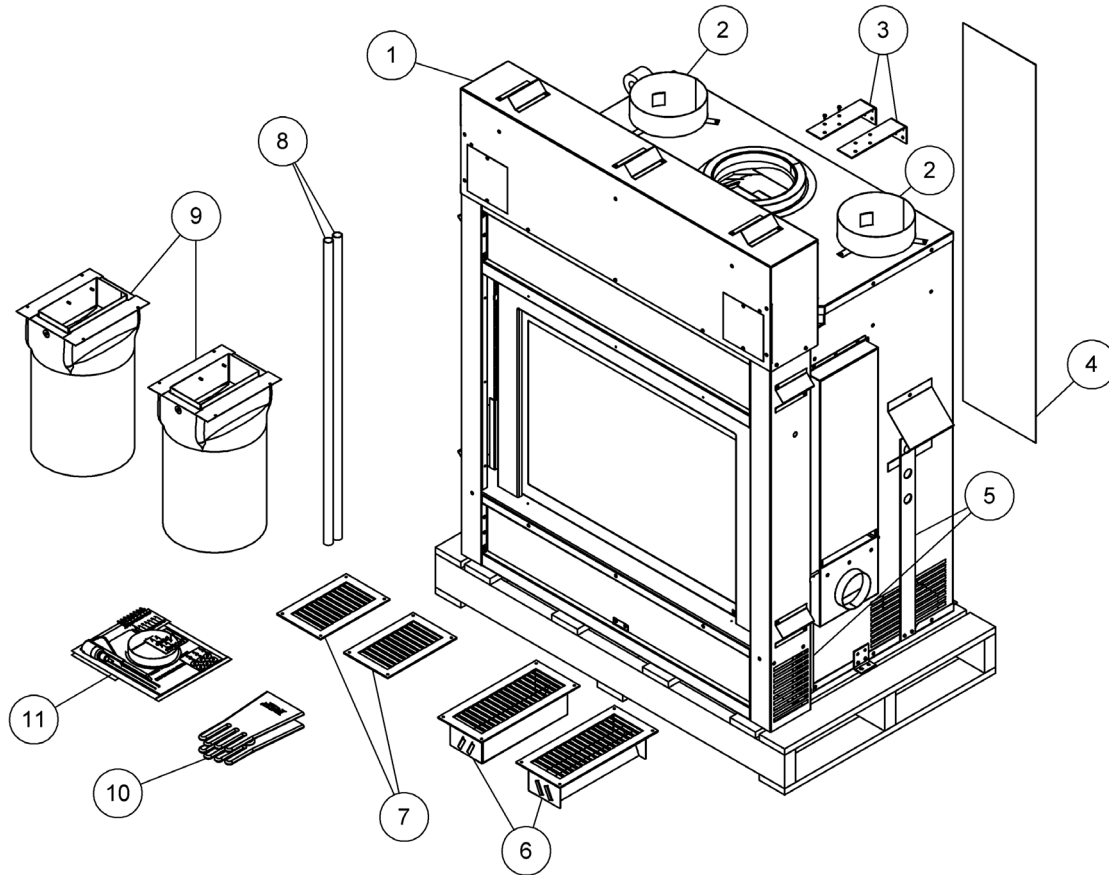
### **HRS OPTIONS**

- If you would prefer one long linear grill for the hot air outlet (above the fireplace) instead of two rectangular outlet grills, we offer the Long Linear Outlet Grill (EO-08LLG-OUT). Please refer to the installation instructions of the option for installation restrictions compared to the hot air outlet grills provided.
- You can also change the two rectangular intake grills for one Long Linear Intake Grill (EO-08LLG-IN). Please refer to the installation instructions of the option for installation restrictions compared to the rectangular grills provided.

## FIREPLACE ASSEMBLY

### INCLUDED WITH THE RENAISSANCE UPTOWN 600

On the crate with the fireplace



Item	Description	Quantity
1	UPTOWN 600 Fireplace	1
2	Outlet starter (installed on the fireplace)	2
3	Anti-tip brackets	2
4	Spark guard	1
5	Lifting straps (remove after using only)	4
6	HRS Air intakes	2
7	HRS Hot Air Outlets Grills	2
8	Lifting handles	2
9	HRS Hot air ducts with an outlet grill adapter installed on each	2
10	Complimentary protective pair of gloves	1
11	Manual bag (see its list for content)	1



**In the bag with the manuals**



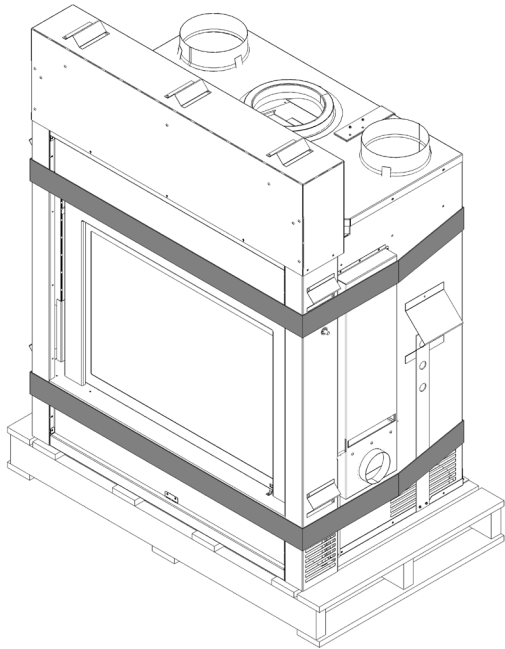
Item	Description	Quantity
1	Owner's manuals (English and French)	2
2	Installation manuals (English and French)	2
3	Removable door handle	1
4	Collar for 5" outside air connection (if necessary)	1
5	Black 1 1/4" screws	16
6	Self-tapping 1" hexagonal head screws	8
7	1/2" hexagonal split head screws	6
8	Flat washers	6
9	High temperature grease	1
10	Chimney safety labels for each length of chimney in the attic (see accompanying explanation sheet)	1

**MOVING THE UPTOWN 600**

The UPTOWN 600 weighs 705 lb crated. Careful attention must be taken when moving the fireplace with or without its shipping crate. Whenever possible move the fireplace while it is still crated. We recommend using an Escalera or equivalent dolly to move the fireplace (see Figure 9 for straps placement).

- **NEVER** lean the fireplace on its side; doing so may damage the guillotine bay which is wider than the rest of the fireplace.
- **NEVER** lift the fireplace by the front or by the guillotine door opening; always handle the fireplace by its casing or by the lifting handles provided. See Figure 10.

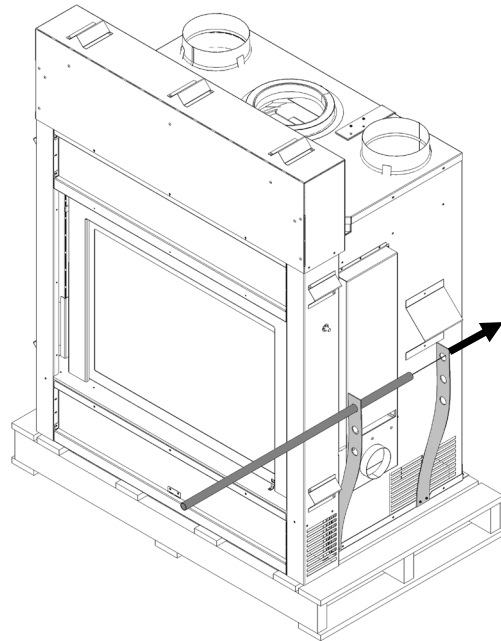
To prepare the UPTOWN 600, locate it as close as possible to its final installation position.



The upper strap must be level with the reinforcement above the guillotine bay opening.

The lower strap must be level with the metal front step.

**FIGURE 9 ATTACHMENT STRAPS**



There are three lift positions for the two lifting handles supplied.

The lifting straps ship flat against the sides of the fireplace. Insert the Lifting Handle through one of the strap openings and bend the strap to face the other one.

The lifting straps **MUST** be removed from the fireplace after using.

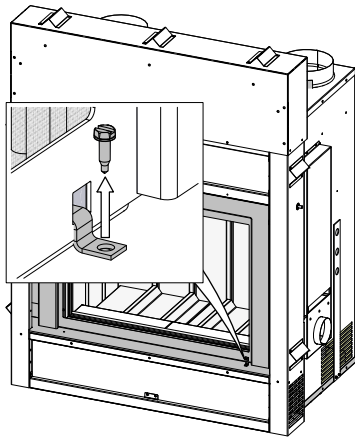
**FIGURE 10 LIFTING HANDLES**

## ACCESSING THE INSIDE OF THE FIREPLACE

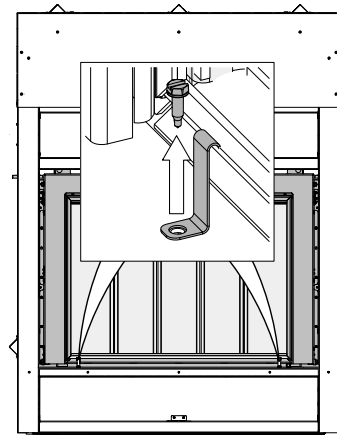
Accessing the inside of the fireplace is recommended before final placement of the fireplace. There are mandatory components inside the fireplace which are easier to install prior to final positioning. Additionally, the weight of the fireplace can be greatly reduced if all these components and the refractory bricks are removed from the firebox.

## ENGAGING THE GUILLOTINE SYSTEM

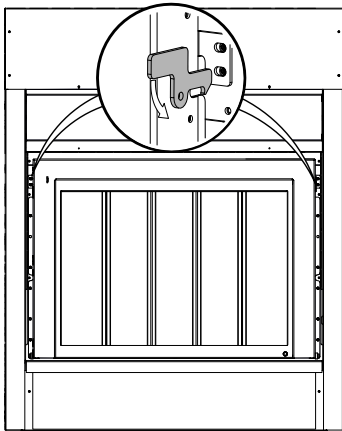
Both the firescreen and the glass door are ready to be use but they are secured for transportation<sup>4</sup>.



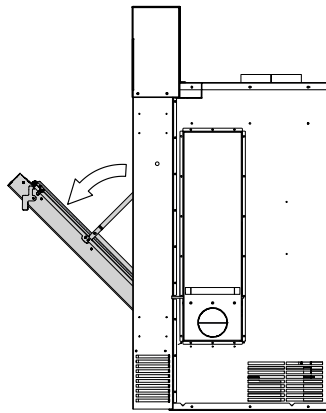
Remove the ¼" hexagon head screw and the hook at the bottom right of the firescreen. The firescreen is now fully functional and can be lifted to access the glass door.



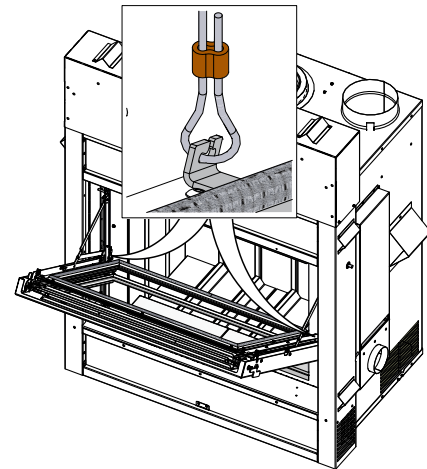
Remove the two ¼" hexagon head screws and hooks at the bottom of the glass door. Screw holes will be covered once the selected trim is installed.



Close the firescreen and unlatch the guillotine assembly on both sides.



Reach under the door and lift slightly while pulling gently downwards on the top of the frame. The door must be lifted at least 2" before it will tilt open. It weighs 21lbs.

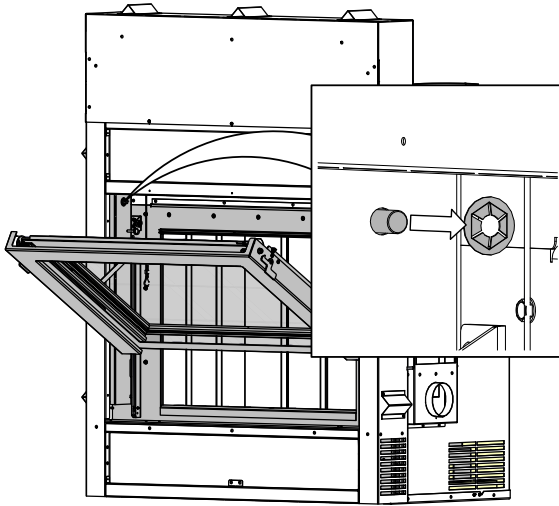


Verify that the counterweight cables are attached to the base of the door. If they are not, attach them as shown.

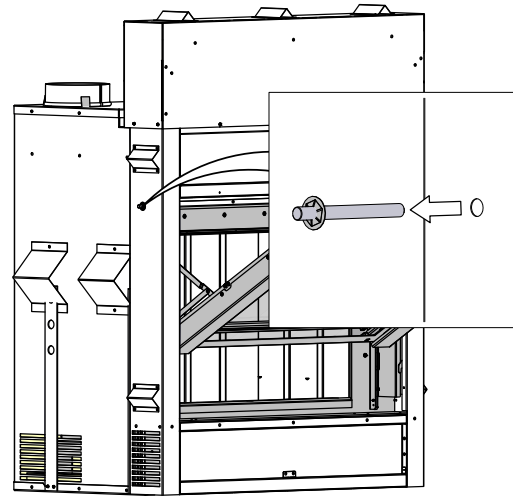
<sup>4</sup> The following steps are also available as a video:



<https://www.youtube.com/watch?v=ghpWX7vX9o4>



Remove the retaining cap from the two counterweight blocking rods on each side of the guillotine bay.



Remove the two counterweight blocking rods. You can pull slightly on the counterweight cable to make the process easier.

The guillotine door is now fully functional. Close and latch the door before proceeding.



**WE RECOMMEND BOTH THE GUILLOTINE GLASS DOOR AND THE FIRESCREEN REMAIN CLOSED WHILE COMPLETING THE FIREPLACE AND CHIMNEY INSTALLATION.**

## REDUCING THE FIREPLACE WEIGHT

The refractory bricks (200 lb) can be removed to facilitate lifting and moving the fireplace.

The firescreen and guillotine door must be operational to remove the firebricks. The refractory bricks and insulation panel are installed in the factory.

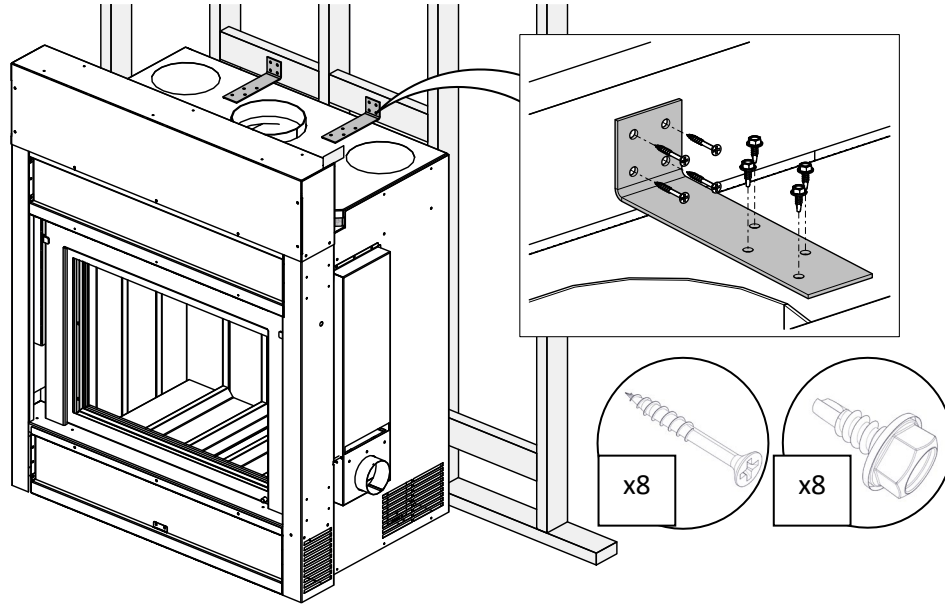
The bricks should be removed in the reverse installation order explained under the "Firebox Lining installation" section on page 34. Be careful not to damage the firebox insulation.



**THE FIREPLACE SHOULD NEVER BE USED WITHOUT THE FIREBOX INSULATION AND REFRACTORY BRICKS PROPERLY INSTALLED.**

## MANDATORY – ANTI-TIP BRACKETS

The UPTOWN 600 fireplace **MUST** be securely fastened to the back wall. Two anti-tip brackets have been provided. They are attached to the top of the fireplace. The brackets can be removed and repositioned as needed to ensure they align with framing (see Figure 11). Use four of the 1" self-tapping screws provided to attach each bracket to the fireplace. Use four wood screws (not included) to secure each bracket to framing.

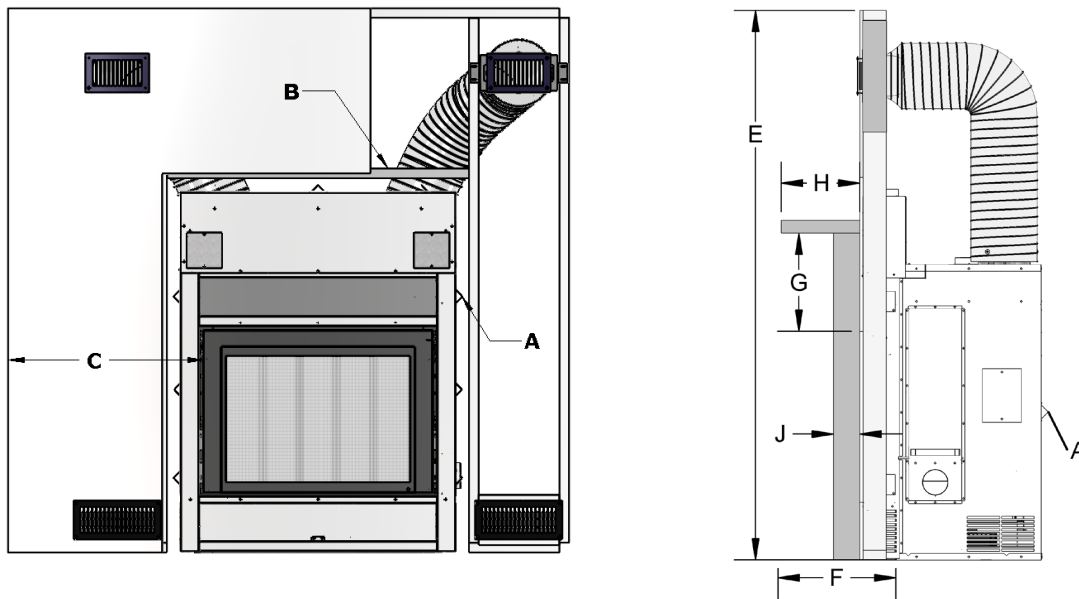


**FIGURE 11 ANTI-TIP BRACKET INSTALLATION**

## MANDATORY CLEARANCES

### FIREPLACE CLEARANCES

Clearance to combustibles are critical to the safe operation of this fireplace.



**FIGURE 12 FIREPLACE CLEARANCES (SEE TABLE 2)**

**TABLE 2 FIREPLACE CLEARANCES**

A	Distance to combustible material from side and back standoffs.	0"	0 mm
B	Fireplace Header	Metal Studs	
C	Minimum distance from the guillotine bay opening to a side wall.	20"	508 mm
D	Minimum width of non-combustible hearth extension and spark guard, centered on the fireplace opening.	45"	1,14 m
E	Minimum ceiling height: measured from the base of the fireplace to the lowest point of the ceiling above the fireplace. Applies both to the inside and outside of the fireplace enclosure.	7'	2,13 m
F	Minimum depth of non-combustible hearth extension: measured from the front of the fireplace.	18"	457 mm
G	Minimum height of a combustible mantel shelf above the top of the fireplace opening: measured from the lowest point/bottom of the combustible mantel shelf.	See the "Mantel" section for details	
H	Maximum depth of a combustible mantel shelf above the fireplace opening.	See the "Mantel" section for details	
I	Minimum distance of a combustible mantel post from the guillotine bay opening: measured from the closest point of the combustible mantel post.	See the "Mantel" section for details	
J	Maximum depth of a combustible mantel post (if installed closer than the allowed distance for the side wall).	See the "Mantel" section for details	

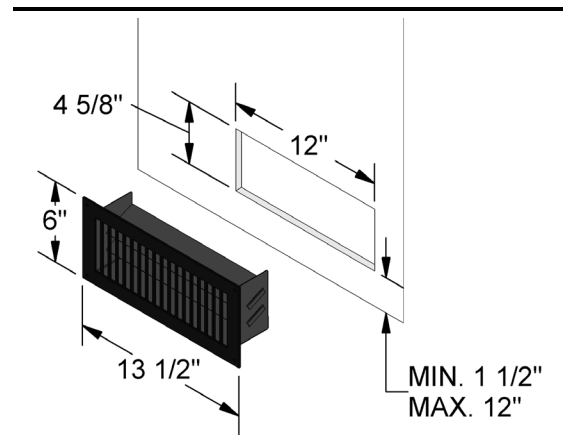


**COMBUSTIBLE FRAMING IS NOT PERMITTED IN THE SPACE DIRECTLY ABOVE THE FIREPLACE. THE ONLY EXCEPTION IS FOR FRAMING USED TO SUPPORT THE FACING MATERIAL AND MANTEL BUT SOME RESTRICTIONS APPLY, SEE FIGURE 12, TABLE 2 AND TABLE 3 .**

**THE AREA ABOVE THE FIREPLACE MUST BE FREE OF COMBUSTIBLES FOR AT LEAST THE HEIGHT PROVIDED IN TABLE 2 (E).**

**HRS AIR INTAKES (BOTTOM)**

The HRS Air Intake Grills (see Figure 13) allow for a safe operating temperature by drawing in room air to circulate around the firebox, inside the fireplace casing and then return warmed into the room. The Air Intake grills can be installed in a front facing, side facing or rear facing installation and must be open to the fireplace enclosure. It is very important that room air be able to circulate freely between the outlets and the inlets of the HRS. Air must be drawn from the same level as the fireplace and cannot be drawn from the level below (e.g. the basement). The Air Intake grills can be located on a side wall or back wall, provided that air circulates freely with same room as the fireplace.



**FIGURE 13 HRS AIR INTAKE ROUGH OPENING**

**Only use the grills provided. Substituting with other grills could be a fire risk and will void the warranty.**



**AIR INTAKE GRILLS CANNOT BE INSTALLED HIGHER THAN 18" ABOVE THE BASE OF THE FIREPLACE.**

**NEVER BLOCK AIR FLOW INTO THE HRS AIR INTAKE GRILLS.**

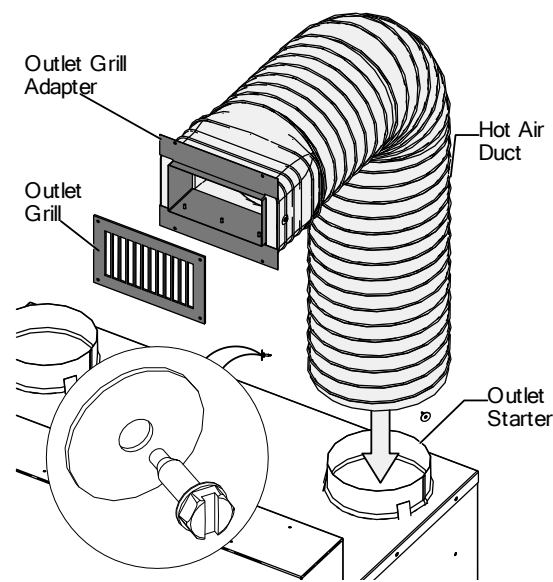
**HRS HOT AIR OUTLETS (TOP)**

The HRS Hot Air Outlet Grills diffuse the hot air from the fireplace casing into the living space. The Outlets consist of two 8" diameter insulated flexible ducts that are 5' long with grill adapters pre-installed and two 9 1/2" x 6" outlet grills (see Figure 14).

**The Hot Air Grills can be installed on any side of the fireplace enclosure, but room air MUST be able to circulate freely, without obstruction (i.e. door), between the outlets and the inlets of the HRS. The Hot Air Grills cannot be installed on an upper level.**

Additional 5' lengths can be ordered (FO-DUCT5). The maximum total length of duct is 15'.

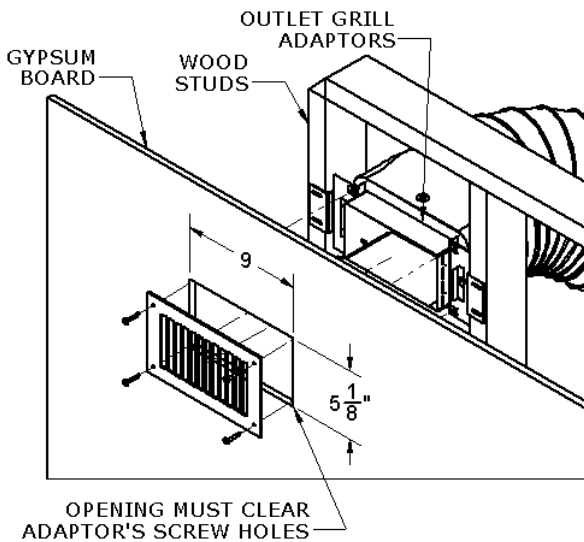
**Only use the grills provided. Substituting with other grills could be a fire risk and will void the warranty.**



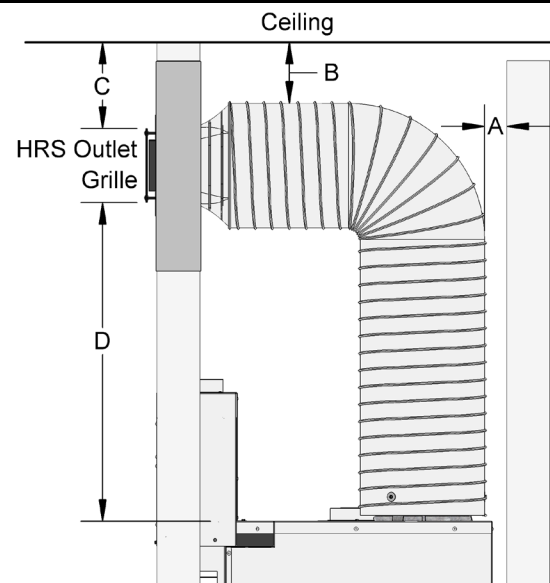
**FIGURE 14 HOT AIR OUTLET ASSEMBLY**

BOTH Hot Air Outlet Grills must terminate at the same height and must never slope down. Always maintain minimum slope up of 4° (1/2" elevation for each foot of horizontal travel).

Framing for the grills and wall finish material around the Hot Air Outlet Grills can be made of combustible material (e.g. wood studs and gypsum board). Refer to Figure 15.



**FIGURE 15 HRS HOT AIR OUTLET ROUGH OPENING**



**FIGURE 16 HRS OUTLET CLEARANCES (SEE TABLE 3)**



**TABLE 3 HRS HOT AIR OUTLET CLEARANCES**

A	Minimum clearance with combustible materials beside and below the outside of the hot air outlet duct.	2"	51 mm
B	Minimum clearance with combustible materials above the outside of the hot air outlet duct.	4"	102 mm
C	Minimum clearance from the hot air outlet grill to the ceiling; measured from the top of the outlet grill to the ceiling above.	7"	178 mm
D	Minimum height of the hot air outlet grill above the top of the fireplace; measured from the bottom edge of the hot air outlet grill to the top of the casing of the fireplace main body.	25 ½"	648 mm

### **HOT AIR OUTLET INSTALLATION**

1. Attach the round end of the insulated flexible ducts to the outlet starters on top of the fireplace. Ensure the insulated flexible duct completely covers the outlet starters protruding above the top of the fireplace. Use three of the ½" self-tapping screws and three of the flat washers provided to secure each flexible duct to the outlet starter.
2. Extend the flexible insulated duct to its maximum 5'. Additional 5' lengths can be ordered (FO-DUCT5). The maximum total length of duct is 15'.
3. Frame the location you wish to mount the hot air outlets (see Figure 15 and Figure 15). Make sure to respect all required clearances, see Figure 16 and Table 3.
4. Secure the outlet grill adapters to the front of the wood studs.
5. Cut the rough opening in the gypsum board to fit around the ½" lip of the outlet grill adapters. Mount gypsum board over the outlet grill adapter.
6. Secure the outlet grills to the outlet grill adaptors with the black screws provided.

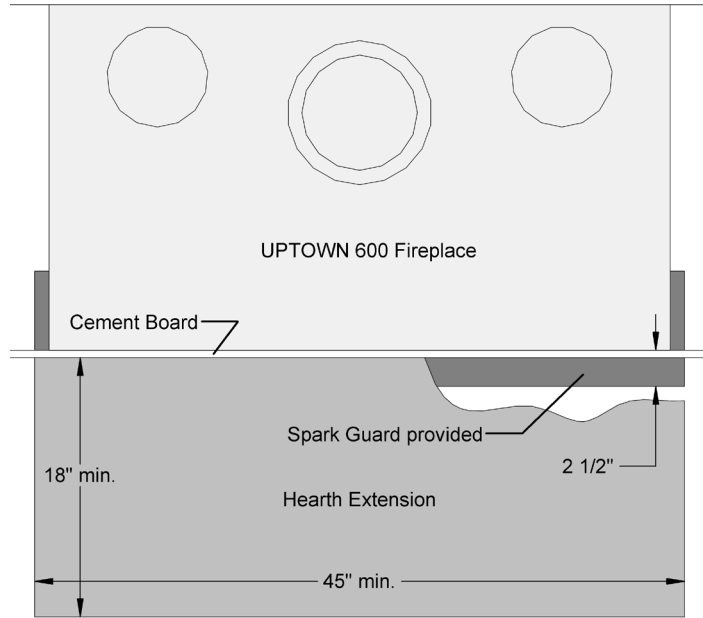
### **HEARTH EXTENSION REQUIREMENTS**

If the flooring immediately in front of the fireplace is COMBUSTIBLE, it must be protected. The minimum size of a non-combustible hearth extension is 45" wide x 18" deep centered in front of the fireplace glass door opening.

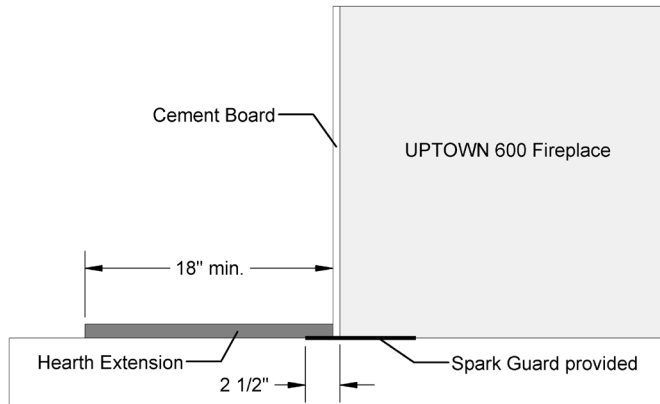
Every UPTOWN 600 installed on a combustible floor must have a Spark Guard installed. One is provided for you. The spark guard must extend 2½" under the base of the fireplace and 2½" in front of the front face of the fireplace. Combustible materials are NOT allowed in the hearth extension area.



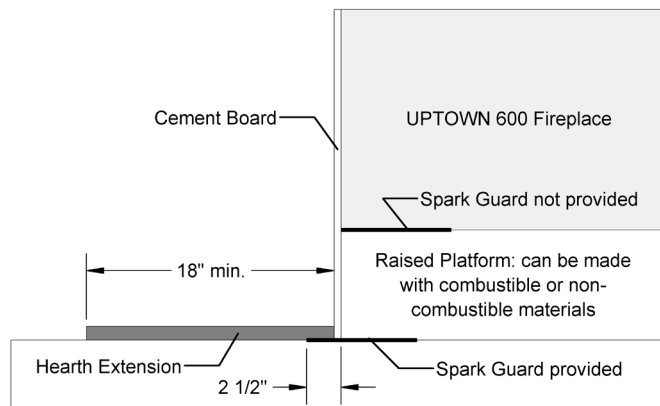
**CONSIDER THE LOCATION OF THE HRS AIR INTAKE GRILLS WHEN PLANNING YOUR HEARTH EXTENSION. SEE THE "HEAT REDISTRIBUTION SYSTEM (HRS) OVERVIEW", "HRS AIR INTAKES (BOTTOM)" AND "HRS HOT AIR OUTLETS (TOP)" FOR DETAILS.**



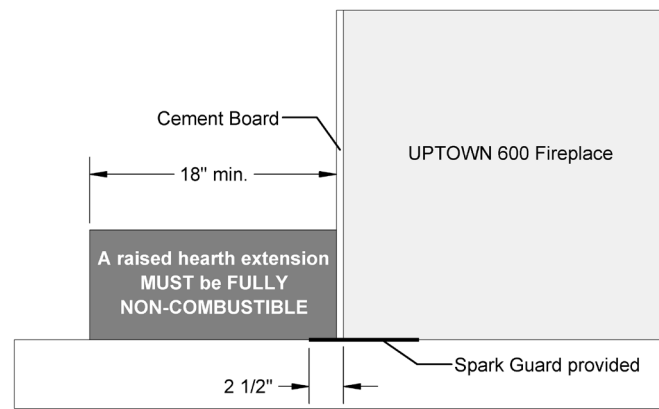
**FIGURE 17 HEARTH EXTENSION MINIMAL DIMENSIONS**



**FIGURE 18 STANDARD HEARTH EXTENSION**



**FIGURE 19 RAISED FIREPLACE**



**FIGURE 20 RAISED HEARTH EXTENSION**

## OUTSIDE AIR INTAKE

The use of outside air is not required unless specified by local building codes. The fireplace only accepts outside air on the right side and comes standard with a 4" connection collar on the fireplace.

For outside air runs of 10' or less, the Renaissance FO-INT outside air kit is recommended. The kit includes 10' of 4" flexible duct with insulation and an inlet hood. For outside air runs of 20' or more it is recommended to increase the duct size to 5", an optional 5" collar is also provided.

The outside air intake should not exceed 12' of vertical rise and can NOT terminate within 5' of the chimney top. It should also not terminate in an attic or crawl space.



**WHEN RUNNING THE DUCT AROUND CORNERS, AVOID CRUSHING THE DUCT WHICH CAN RESTRICT AIRFLOW.**

1. Find a convenient location for the outside air inlet hood.
2. Make a 4 ¼" (5 ¼" if using a 5" diameter duct) hole in the outside wall of the house. Push the round sleeve of the outside air inlet hood in from the outside. Seal the joint between the inlet hood and the outside wall with silicone sealant.
3. Pull back the insulation to expose the aluminum duct and slide the duct over the round sleeve on the outside air inlet hood. Attach the duct with metal screws to the Inlet Hood sleeve. Carefully push the insulation and plastic cover back over the duct and tape in place with 2" aluminum duct tape (not provided).
4. Follow the same procedure to connect the flex pipe to the air intake flange of the fireplace.

## CHIMNEY

For the best chimney performance, we recommend an interior chimney installation over an exterior chimney installation. In climates with temperatures below 32°F (0°C) the use of an exterior chimney may adversely affect how the fire burns and how well smoke is vented through the chimney. Flue creosote accumulation may increase more rapidly due to a cold chimney. If the fireplace and chimney are installed within an exterior chase, the chase should be insulated. See Outside Chase Enclosure section.

Read the EXCEL Chimney installation manual concerning requirements for supports, bracing, anchors, etc. It can be found: [icc-chimney.com/en/excel-technical-information#mc](http://icc-chimney.com/en/excel-technical-information#mc). You will also find there the offset tables if your chimney installation requires a deviation.

### CHIMNEY REQUIREMENTS

Refer to Table 1 to see the complete chimney specifications with your fireplace, including the height of chimney the fireplace can support.

See Table 4 below to determine the minimum chimney height specific to your installation, elevation and offsets required increased chimney heights.

**TABLE 4 RECOMMENDED MINIMUM FLUE HEIGHT**

Elevation (ft)	Number of Offsets						
	Straight Chimney	1 x 15°	2 x 15°	1 x 30°	2 x 30°	1 x 45°	2 x 45°
0 - 1000	minimum 12'	13'	14'	15'	18'	16'	20'
1001 - 2000	12'6"	13'6"	14'6"	15'6"	19'	16'6"	20'6"
2001 - 3000	13'	14'	15'	16'	19'6"	17'	21'6"
3001 - 4000	13'6"	14'6"	15'6"	17'	20'	18'	22'6"
4001 - 5000	14'	15'	16'	17'6"	21'	18'6"	23'
5001 - 6000	14'6"	15'6"	17'	18'	21'6"	19'	24'
6001 - 7000	15'	16'	17'6"	18'6"	22'6"	20'	25'
7001 - 8000	15'6"	16'6"	18'	19'	23'	20'6"	25'6"
8001 - 9000	16'	17'	18'6"	20'	24'	21'	26'6"
9001 - 10000	16'6"	17'6"	19'	20'6"	24'6"	22'	27'

Flue height is measured from the top of the fireplace to the top of the chimney before installing the rain cap.

If you have two different offsets (two pairs of different elbows), simply use the column for two offsets of the biggest pair of elbows at your elevation to get your Minimum Flue Height.

## OFFSETTING THE CHIMNEY

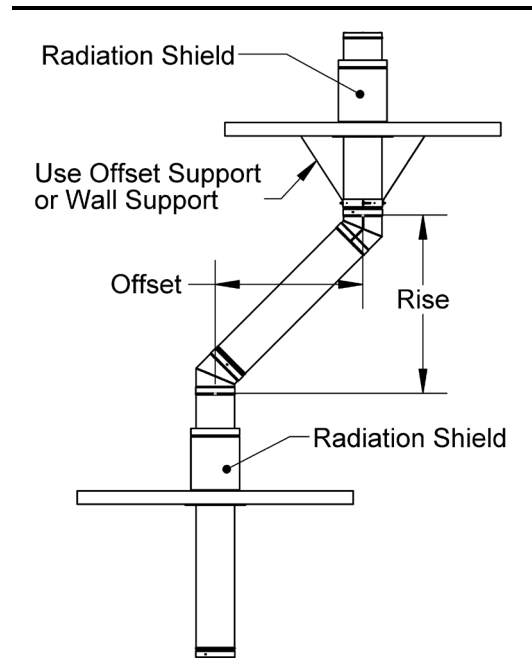
Use an elbow to offset the chimney to avoid cutting the roof and/or floor joists. An elbow may be installed directly on top of the fireplaces. Use the 8" EXCEL offset chart (found in the chimney installation manual) to correctly offset the chimney.

An offset requires additional chimney support in the form of an offset support, roof support, or wall support to prevent the chimney from leaning.

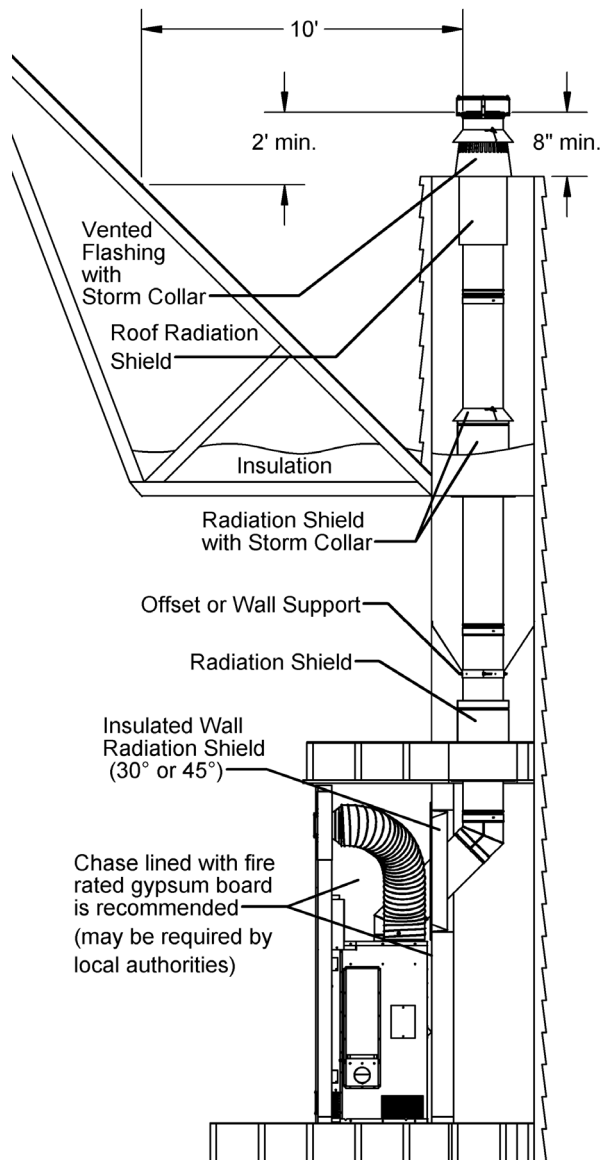
### Maximum offset angle:

- In USA: 30°
- In Canada: 45°

The maximum number of elbows per system is four, resulting in two offsets and returns.



**FIGURE 21** OFFSET CHIMNEY



**FIGURE 22** EXTERIOR CHASE AND THROUGH THE WALL

## THROUGH THE WALL OFFSET

If necessary, the chimney can go through a wall at an angle as depicted in Figure 22. An Insulated Angled Wall Radiation Shield (XM-8EWRSI30 or XM-8EWRSI45) MUST be used wherever the chimney passes through a wall to protect the combustible wall structure from the heat of the chimney.

Refer to the Insulated Angled Wall Radiation Shield installation sheets for detailed installation instructions (available at [www.icc-rsf.com](http://www.icc-rsf.com)).

Make sure to have enough ceiling height for your installation:

- At 30°: minimum 8' or 2,44 m
- At 45°: minimum 6' 8" or 2,04 m

If the ceiling height is too low for the planned installation you may want to consider installing the fireplace in an outside chase.

## OUTSIDE CHASE ENCLOSURE

If the chimney runs up the outside of the house, we recommend that it be enclosed in a chase. The chase should be constructed in such a way that it is an extension of the home (see Figure 22). It should be well insulated between the footings and the floor of the home to prevent heat loss.



**CHECK LOCAL CODES CONCERNING INSTALLATION REQUIREMENTS AND RESTRICTIONS FOR AN OUTSIDE CHASE.**

## CHIMNEY INSTALLATION

1. Cut and frame the required holes in the floor(s), ceiling(s) and roof where the chimney will pass through. The rough opening in the framing is 14" square (the opening can be slightly bigger, up to 14 1/2", but NEVER smaller).



**THE CLEARANCE BETWEEN THE CHIMNEY AND COMBUSTIBLES MUST BE 2" OR MORE. DO NOT FILL THIS AREA WITH INSULATION.**

2. At each floor where the chimney passes through, you must install a radiation shield. At the attic level, install a radiation shield and a storm collar as shown in Figure 7 and Figure 22.
3. Install the first chimney length on top of the flue adapter of the fireplace and secure it with the screws provided with the chimney.
4. Add additional lengths by lining up the seams and screwing into the pre-punched holes. Also add supports as required until the chimney penetrates the roof deck or on top of the chimney chase.

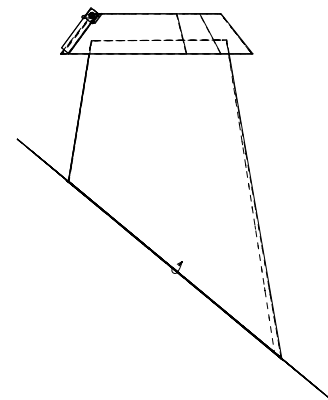
The chimney must extend at least 3' above its highest penetration of the roof and at least 2' higher than any wall, roof, or building within 10' horizontally of it. If the chimney extends higher than 5' above the roof, it must be secured using a roof brace (XM-ERB).

5. At the roof, install the mandatory roof radiation shield (XM-8ERRS).

6. **A vented flashing (XF-8EVF) MUST be used if the chimney is in a chase or is enclosed to the roof.** The ventilated openings must permit air flow. Do not seal the ventilated openings with caulk. If the chimney passes through an open attic, a regular, unvented flashing is then allowed.

7. Seal the joint between the roof and the flashing with roofing tar. For sloping roofs, place the flashing under the upper shingles and on top of the lower shingles. Secure the flashing to the roof with roofing nails or screws.

8. Place the storm collar over the chimney and flashing (see Figure 23). Seal the collar to the chimney with silicone (high temperature not required).



**FIGURE 23** STORM COLLAR POSITION

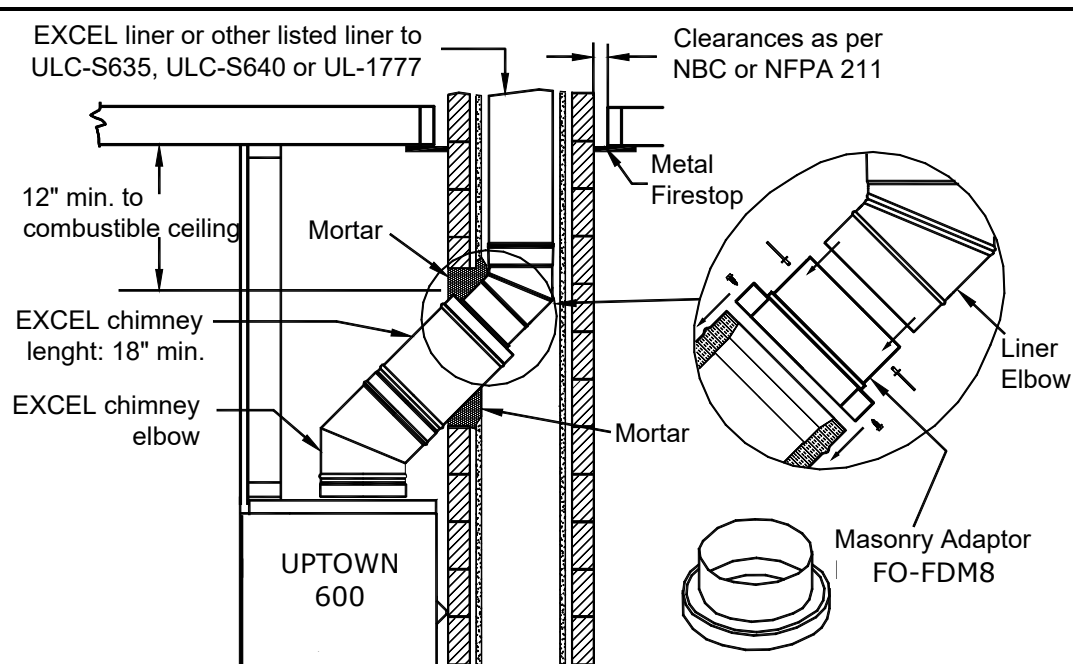
9. EXCEL Chimney requires the use of a Rain Cap (regular: XM-8ERC, deluxe: XM-8EDRC, revolving: XM-8ERRC), or Rain Cap Base (XM-8ERCB). Secure the rain cap to the chimney using the screws provided.

## MASONRY CHIMNEY

Installing your UPTOWN 600 fireplace with a masonry chimney still requires using EXCEL chimney from the top of the fireplace to the wall where it will connect to a listed 8" liner that will run up inside the masonry chimney (see Figure 24).

The stainless-steel liner should be fitted inside the clay liner all the way to the top of the masonry chimney. It is not meant to replace the clay liner. You can use either the EXCEL liner or any other listed liner to ULC-S635, ULC-S640 or UL-1777.

Special care is to be taken to make sure that you have a good solid connection between the EXCEL chimney and the liner. A masonry adaptor (FO-FDM8) was designed specifically for that purpose and is available from your RSF dealer. It will attach to the liner with 3 stainless steel rivets (provided) and to the EXCEL chimney with 3 screws (provided).



**FIGURE 24 CONNECTION TO A MASONRY CHIMNEY**

After mortaring in place, the connection between the EXCEL chimney and the liner should not be visible in order to isolate the heat released through the liner from the fireplace enclosure.

As depicted in Figure 24, you must install at least one 18" length of EXCEL chimney after the EXCEL chimney elbow. The uppermost part of the EXCEL chimney - where it enters the masonry chimney - must be a minimum of 12" from the ceiling.

**If the ceiling is high enough, you can install one or more EXCEL chimney lengths directly on the fireplace before the elbow.**

If you use a flexible liner, make sure to be careful when cleaning to ensure that the stainless-steel flexible liner is not dislodged in any way.



## USING AN EXISTING MASONRY CHIMNEY



**IF YOU ARE CONSIDERING USING AN EXISTING CHIMNEY, IT MUST FIRST BE THOROUGHLY INSPECTED BY AN AUTHORITY HAVING JURISDICTION TO DETERMINE THE FOLLOWING:**

- The masonry chimney is well constructed and fully lined, in accordance with Local Building Codes and the National Building Code of Canada (NBC) or National Fire Protection Association chimney standard (NFPA 211).
- It has been thoroughly cleaned of any soot or creosote residue and inspected to determine that it is in good working condition.
- There is no insulation of any type in contact with the masonry chimney and there is no insulation stuffed anywhere in the chimney.
- All the necessary clearances around the masonry chimney, along the complete run of the chimney, are respected as per NBC or NFPA 211. If the masonry chimney is enclosed in drywall, openings will probably be required in order to verify clearances at all points.
- The masonry chimney will only be used for the fireplace and no other appliance.

If major repairs are required to meet the above conditions, a new chimney should be constructed.

To make the hole through the masonry chimney and make the connection to the fireplace, we recommend that you follow these steps:

1. Sight-in and mark the outline of where the EXCEL chimney will penetrate the masonry chimney.
2. Using a large ( $\frac{3}{4}$ " - 2") masonry drill bit, drill a hole exactly in the center of the oval outline. With a masonry hammer and drill, slowly enlarge the hole to the size required. Remember to work from the center out. Be especially careful with the clay liner behind the brick because three sides of it must stay in place.
3. Bring the stainless-steel liner down from the top of the chimney.

If you are using a rigid liner you will need enough room to secure an elbow to it with at least two screws or rivets.

If it is difficult to install rigid stainless-steel liner in the existing masonry chimney or for a masonry chimney with less than 10"x10" inside, a listed stainless-steel flexible liner can be used along with a flexible/rigid adaptor (LM-8LAF) available from your RSF dealer.

4. Install the liner elbow and masonry adaptor on the lower end of the liner.
5. Move the fireplace forward enough to install the EXCEL chimney on the fireplace (elbow and length) then move the fireplace back into position as you connect the masonry adaptor to the EXCEL chimney.

## USING A NEW MASONRY CHIMNEY

Since the masonry chimney is not build yet, we recommend that you position your fireplace, install the EXCEL chimney on it and connect to the first length of liner before building the chimney as explained above and shown in Figure 24 . The liner sections can easily be installed as the layers of brick are being placed. Since this is a new chimney, we recommend that you build it to the right size so you do not have to ovalize the liner but if you choose to use a 6"x10" clay liner you will need to ovalize the stainless-steel liner to fit into the clay liner.

**Remember, the stainless-steel liner should be fitted inside the clay liner all the way to the top of the masonry chimney. It is not meant to replace the clay liner.**

## FINISHING

### FIREPLACE FACING

The facing **MUST** be covered with cement board panels that are at least  $\frac{1}{2}$ " thick. Only fully non-combustible panels such as James Hardie HardieBacker® or USG Durock® cement board are acceptable. Both products will allow for face finishing with any non-combustible material and will allow you to create a seamless joint.

Only screw into the panels where allowed, see Figure 25.

Using longer screws may damage the guillotine system or impede operation.



**DO NOT USE GYPSUM BOARD TO COVER THE FIREPLACE, IT IS CONSIDERED A COMBUSTIBLE MATERIAL, REGARDLESS OF THEIR FIRE RATINGS.**

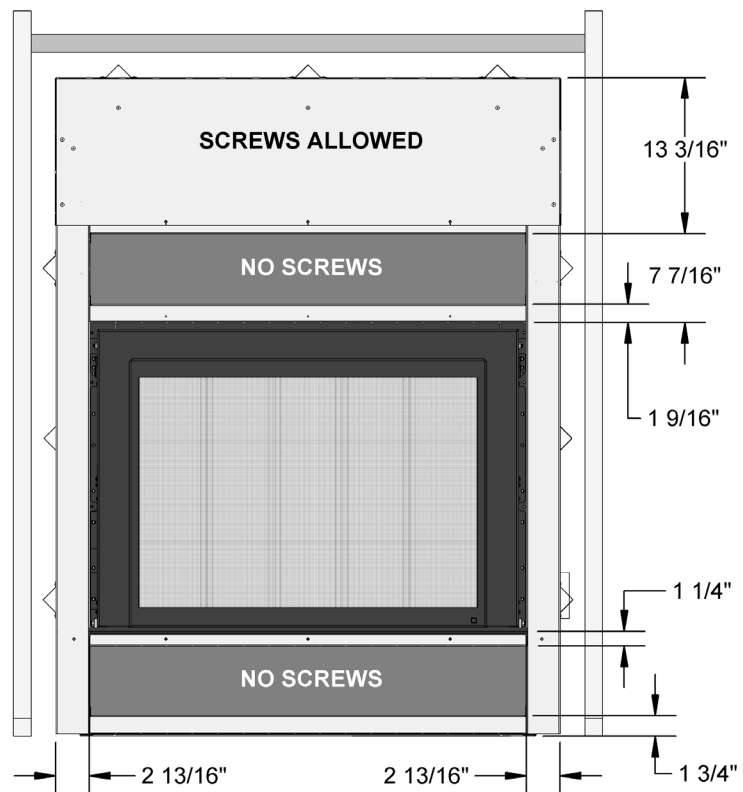
**ENSURE THE GUILLOTINE GLASS DOOR AND FIRESCREEN ARE CLOSED BEFORE INSTALLING THE CEMENT BOARD PANELS.**

#### SCREWS ALLOWED areas:

Screws can penetrate the fireplace facing at these locations by no more than  $\frac{1}{2}$ ". (e.g. If using one  $\frac{1}{2}$ " sheet of cement board, 1" long screws are the maximum length permitted.)

#### NO SCREWS areas:

Do not screw into this area with any length or type of screw.



**FIGURE 25** PERMISSIBLE SCREWS AREAS

**IF ANY MATERIAL NEEDS TO BE SECURED TO THE FRONT OF THE FIREPLACE AFTER THE CEMENT BOARD HAS BEEN INSTALLED:** use screws that will **ONLY** penetrate the fireplace facing  $\frac{1}{2}$ ". Deeper penetration of the screw tip will prevent the proper operation of the firescreen and/or the guillotine glass door and may eventually cause difficulty dismantling the guillotine system. Confirm that you have not impeded the normal operation of the firescreen and the guillotine glass door by moving them slowly as you proceed with installing the screws.

## DECORATIVE FACING FINISH

Facing materials must be **NON-COMBUSTIBLE** such as metal, brick, slate or ceramic tile. Gypsum board is **NOT** acceptable facing material. The only combustible material accepted on the facing of the fireplace is a mantel shelf when following the minimum installation distances as outlined.

The cement board can be painted, textured or tiled just as you would over gypsum board.

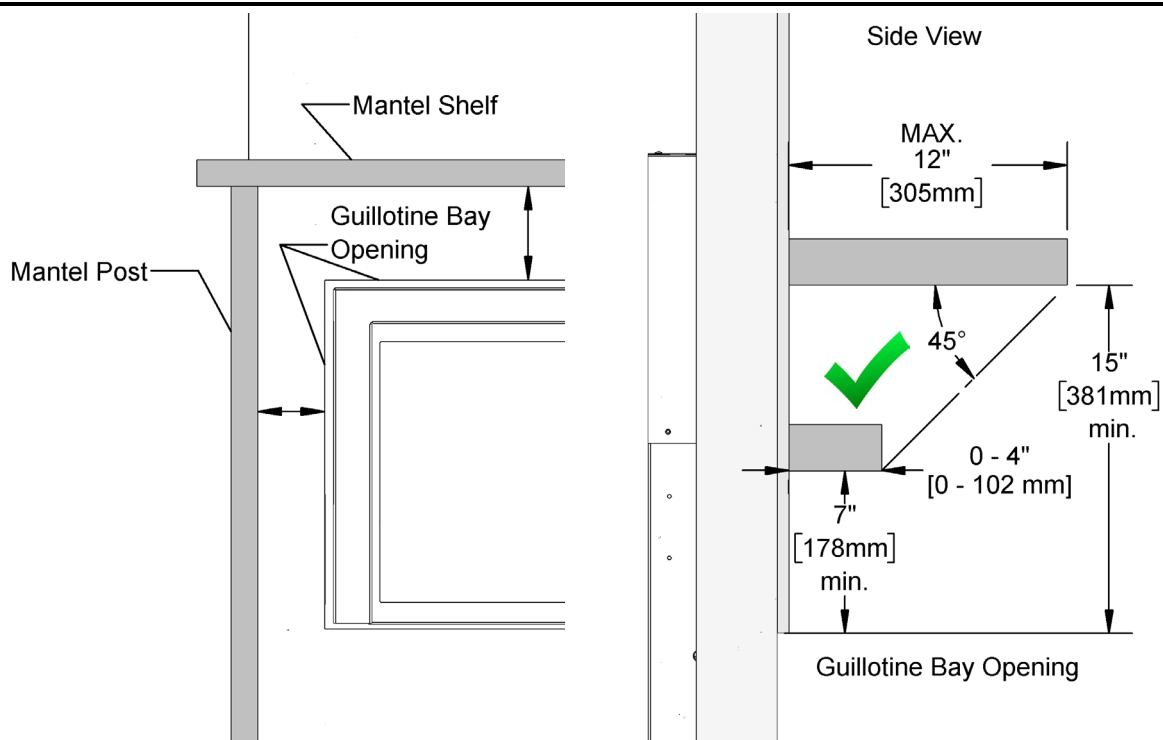
## MANTEL

**NON-COMBUSTIBLE** or masonry mantels (shelf and posts) can be placed anywhere around the guillotine bay opening. To prevent damage to the guillotine door or firescreen, fasten screws only in the acceptable locations provided in the "Fireplace Facing" section of this manual.

For **COMBUSTIBLE** mantels and mantel posts, see Figure 26, Table 5, Figure 27 and Table 6 below for installation restrictions, requirements and clearances.

- The only combustible material accepted on the facing of the fireplace is for a mantel shelf and posts.
- Televisions are considered combustible materials. Before installing a television above your fireplace, consult your television owner's manual for requirements.

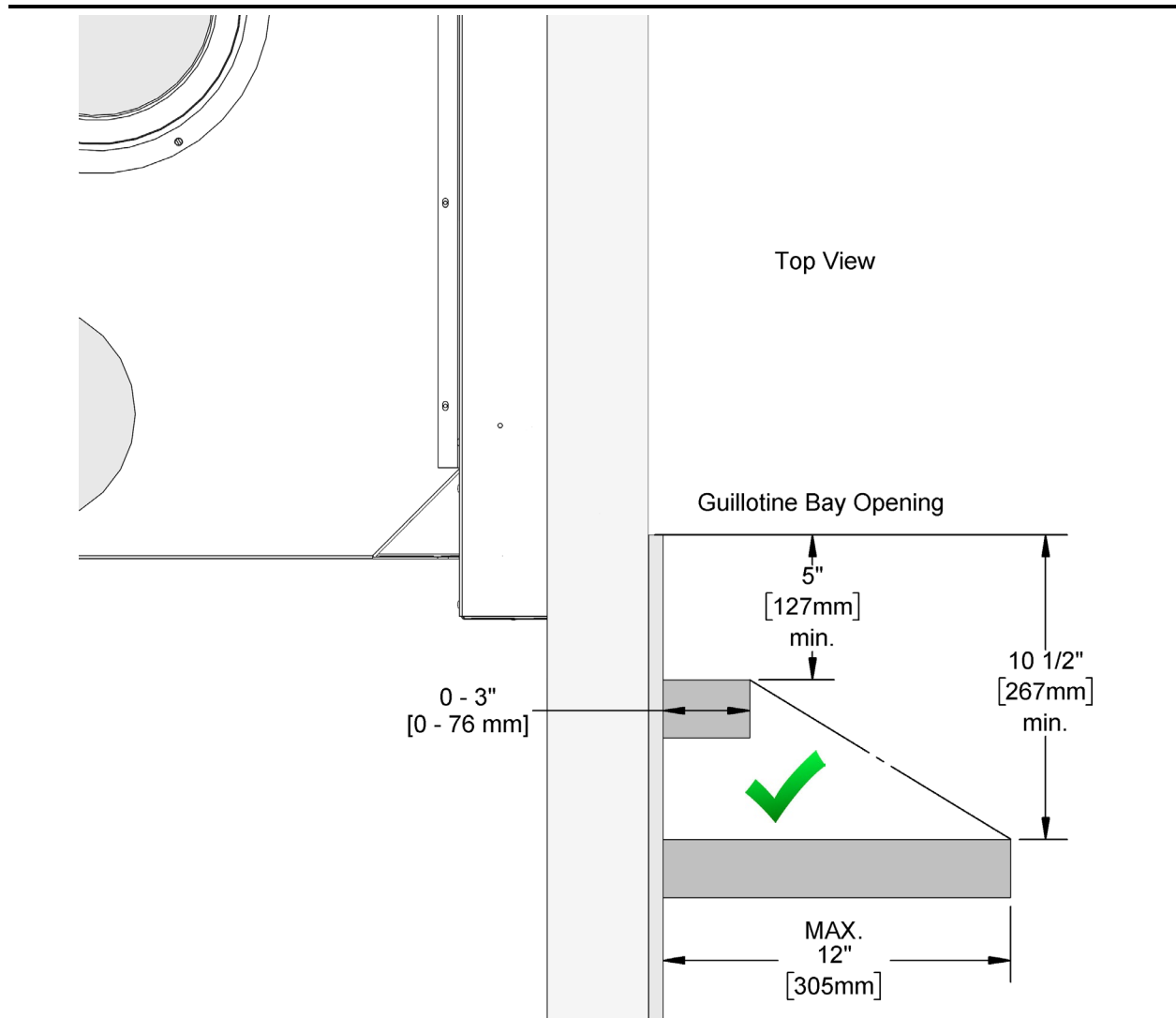
Refer to the "Fireplace Facing" section for the permissible screw area.



**FIGURE 26** COMBUSTIBLE MANTLE SHELF CLEARANCE REQUIREMENTS

**TABLE 5      MANTEL SHELF CLEARANCES (SEE FIGURE 26)**

Maximum Mantel Shelf Depth		Minimum Height Above Guillotine Bay Opening		Minimum Height from Bottom of Fireplace to Mantel	
0 to 4"	0 to 102 mm	7"	178 mm	42 1/8"	1,07 m
4" to 12"	102 to 305 mm	Mantel depth + 3"	Mantel Depth + 76 mm	Mantel depth + 38 1/8"	Mantel Depth + 968 mm
12" max.	305 mm	15"	381 mm	50 1/8"	1,27 m



**FIGURE 27      COMBUSTIBLE MANTLE POST CLEARANCE REQUIREMENTS**

**TABLE 6** MANTEL POST CLEARANCES (SEE FIGURE 27)

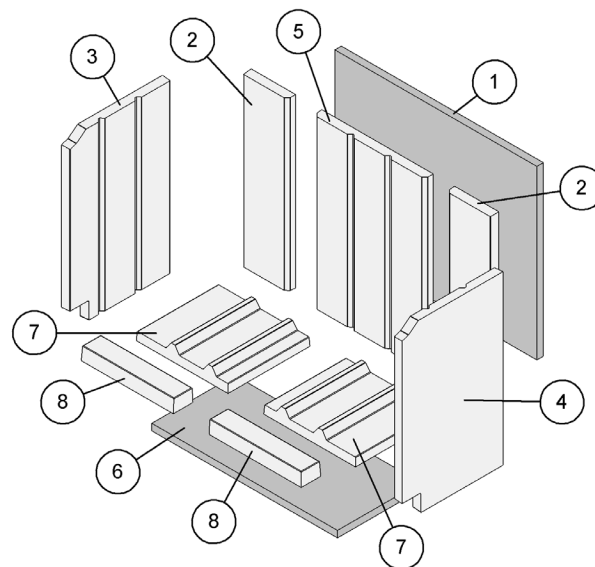
Maximum Mantel Post Depth		Minimum Distance from Side of Guillotine Bay Opening	
0 to 3"	0 to 76 mm	5"	127 mm
4"	102 mm	5 5/8"	143 mm
5"	127 mm	6 1/4"	159 mm
6"	152 mm	6 7/8"	175 mm
7"	178 mm	7 1/2"	191 mm
8"	203 mm	8 1/8"	206 mm
9"	229 mm	8 3/4"	222 mm
10"	254 mm	9 3/8"	238 mm
11"	279 mm	10"	254 mm
12"	305 mm	10 1/2"	267 mm
Deeper Mantel Post or Perpendicular Wall		20"	508 mm

## FIREBOX LINING INSTALLATION

The refractory bricks and insulation panels of the UPTOWN 600 fireplace are placed in the fireplace at the factory. If, for any reason, they should need to be replaced, the following order should be observed. To remove any of the refractory bricks, just follow the installation procedure in the reverse sequence. Refer to Figure 28 to adequately identify each component at each step of the installation.

If you have removed the refractory bricks and the insulation panels to facilitate moving the fireplace, you must make sure they are properly installed inside the firebox before making your first fire. This is easily accomplished with the following instructions.

1. First install the larger soft insulation panel (1) against the backwall of the firebox.
2. Then install the left back refractory brick (2) as far to the left as possible, just in front the back insulation panel.



**FIGURE 28** REFRACTORY BRICKS AND INSULATION PANELS

3. While holding the left back refractory brick, slide the left side refractory brick (3) under its support at the top of the firebox.
4. Then do the same for the right side (2 & 4).
5. Slide the central back refractory brick (5) under its support. Take the time to center the three back refractory bricks, leaving a small gap between each.
6. There is a piece of soft insulation (6) that goes on the bottom of the firebox. It is cut tight, so place it at the front first then push it down at the back. It will fit snugly in between the back and side refractory bricks.
7. You can then place the two bottom bricks (7). Again, take the time to center them, leaving a small gap between each.
8. Finish by placing the two ash-step refractory bricks (8).



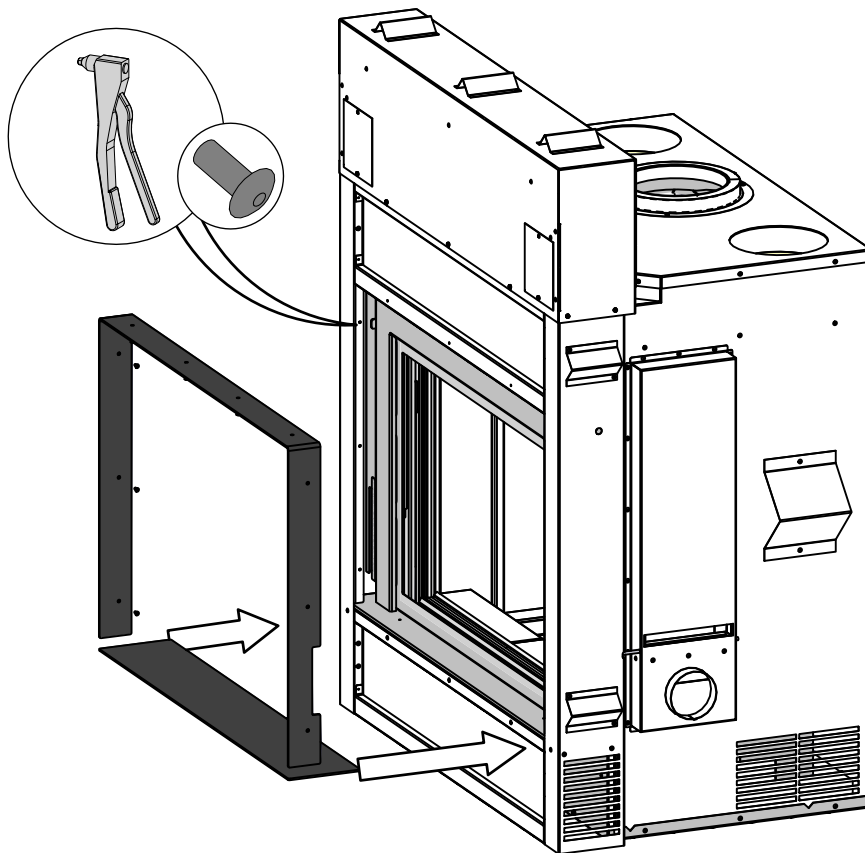
**THE FIREPLACE SHOULD NEVER BE BURNED WITHOUT THE FIREBOX INSULATION AND REFRACTORY BRICKS PROPERLY INSTALLED.**

## MANDATORY TRIM INSTALLATION

A choice of trim is required to complete the installation and finishing of the Uptown 600.

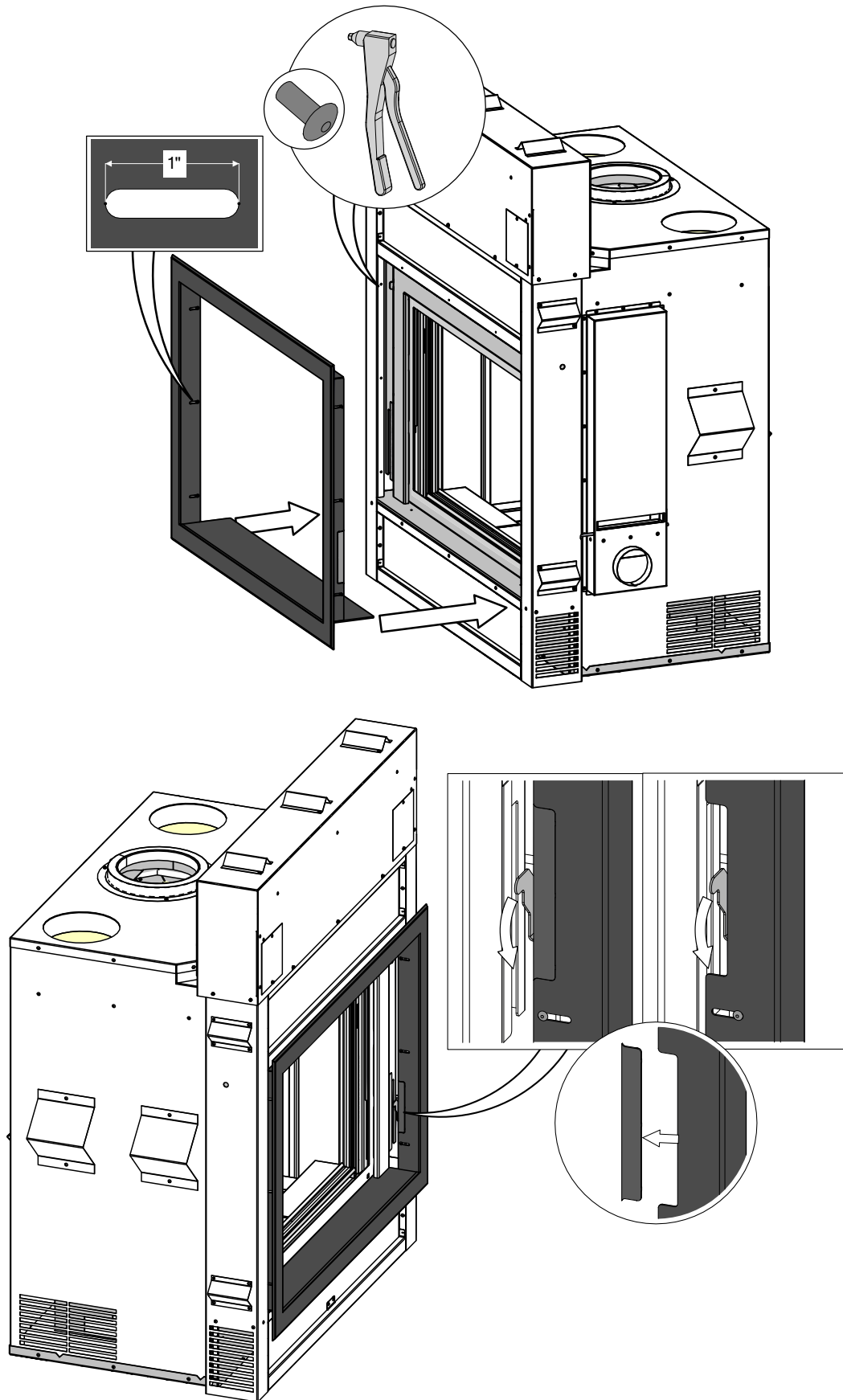
### **STRAIGHT TRIM (FOR HEAVIER MASONRY) EO-RUPST**

It will provide a finished edge to butt against.



### **FRAME TRIM (FOR TILE OR CEMENT BOARD FINISH) EO-RUPFT**

It will overlap the wall and cover the edge where the finishing meets the fireplace.

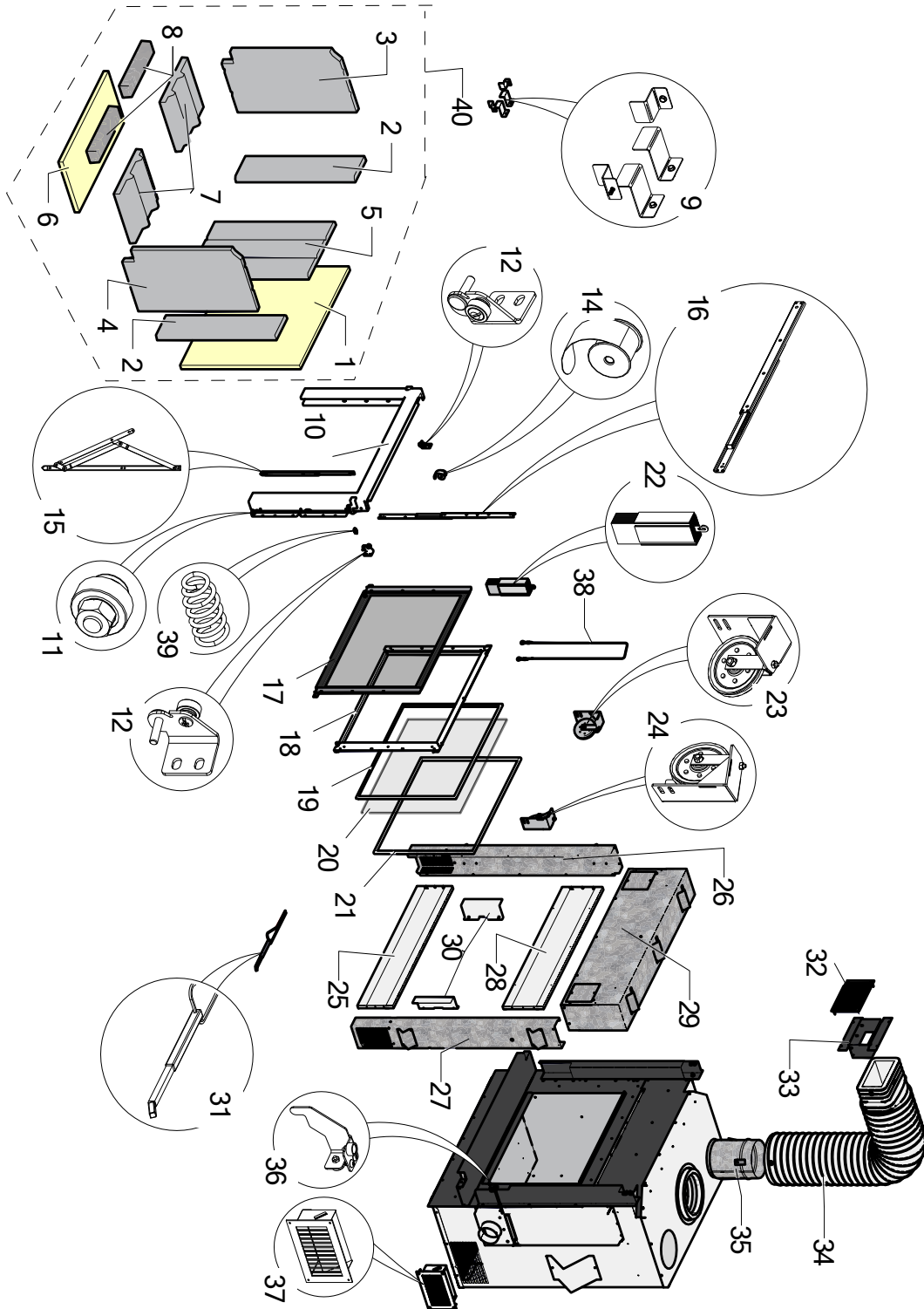




## GLASS CLEANING

If the glass needs cleaning after installation is complete, use a glass cleaner specifically formulated for wood stove ceramic glass. Do not use an abrasive cleaner and do not clean the glass while it is hot. You may want to recommend a wood stove glass cleaner to the owner.

## REPLACEMENT PARTS



#	Code	Description
1	ER-RE1109	REAR FIREBOX INSULATION
2	ER-RE1105	BACK LEFT/RIGHT REFRACTORY
3	ER-RE1102	LEFT REFRACTORY
4	ER-RE1103	RIGHT REFRACTORY
5	ER-RE1104	BACK CENTER REFRACTORY
6	ER-RE1110	BOTTOM FIREBOX INSULATION
7	ER-RE1106	BOTTOM REFRACTORY
8	ER-RE1107	FRONT REFRACTORY
9	ER-RE1108	REFRACTORY RETAINER BRACKETS
10	ER-RE0904	DOOR SYSTEM FINISHING COVER
11	ER-RE0912	BOTTOM ROLLERS (R & L)
12	ER-RE0909	LATCH PIN/ROLLER (R & L)
14	ER-RE0910	SCREEN SPRINGS ASSY. (R & L)
15	ER-RE0913	DOOR FRAME HINGES
16	ER-RE0911	RAILS FOR DOOR OR FIRESCREEN
17	ER-RE0908	901029
18	ER-RE0907	GLASS FRAME
19	ER-RE0915	GLASS GASKET
20	ER-RE0906	CERAMIC GLASS AND GASKETS
21	ER-RE0905	DOOR GASKET
22	ER-RE0901	COUNTERWEIGHT (R or L)
23	ER-RE0921	PULLEY ASSEMBLY - LEFT
24	ER-RE0922	PULLEY ASSEMBLY - RIGHT
25	ER-RE0603	BOTTOM FINISHING COVER
26	ER-RE0604	LEFT FINISHING COVER
27	ER-RE0605	RIGHT FINISHING COVER
28	ER-RE0602	CENTER FINISHING COVER
29	ER-RE0601	TOP FINISHING COVER
30	ER-RE0903	COUNTERWEIGHT COVER (R or L)
31	ER-RE1201	REMOVABLE DOOR/FIRESCREEN HANDLE
32	ER-RE1204	HRS OUTLET GRILL
33	ER-RE1208	HRS GRILL ADAPTER
34	ER-RE1207	HRS INSULATED FLEX 8" X 5' & GRILL ADAPTER
35	ER-RE1206	HRS DUCT STARTER
36	ER-RE0701	OUTSIDE AIR CONTROL HANDLE
37	ER-RE1205	HRS AIR INTAKE GRILL
38	ER-RE0902	COUNTERWEIGHT CABLE
39	ER-RE0914	DOOR COVER SPRINGS (2)
40	ER-RE1101	REFRACTORY BRICKS ASSEMBLY

## 30 YEAR LIMITED WARRANTY

All **Renaissance Fireplaces™** models are warranted against defects in material and workmanship for a period of 30 years, subject to the following conditions:

During the first year **Renaissance Fireplaces™** will repair or replace, at our option, any parts which upon examination by an authorized **Renaissance Fireplaces™** representative, are found to be defective, except the parts listed in the EXCLUSIONS portion of this warranty. **Renaissance Fireplaces™** will also pay reasonable labor costs for the repair work.

During the second through fifth years **Renaissance Fireplaces™** will repair or replace, at our option, any parts which upon examination by an authorized **Renaissance Fireplaces™** representative, are found to be defective, except the parts listed in the EXCLUSIONS portion of this warranty. **Renaissance Fireplaces™** shall not be responsible for any labor costs associated with this repair work.

During the sixth through thirtieth years **Renaissance Fireplaces™** will provide replacement parts, if available, at 50% of the published retail price, except for the parts listed in the EXCLUSIONS portion of this warranty. **Renaissance Fireplaces™** shall not be responsible for any labor costs associated with this repair work.

### EXCLUSIONS:

- Glass.
- Damage due to normal wear and tear, such as paint discoloration, worn gaskets, eroded or cracked rigid insulation panels or firebox lining components.
- Repairs or replacements necessitated by vandalism, neglect, abuse, over-firing, improper fuel or fuel loads, or failure to adequately service the unit, as stated in the owner's manual.
- Repairs or replacements (particularly charges for travel and labor) not authorized by **Renaissance Fireplaces™** in advance.

### LIMITATIONS:

- All items found to be defective will be replaced or repaired upon return of the defective part to an authorized **Renaissance Fireplaces™** dealer. **Renaissance Fireplaces™** will not be responsible for freight costs related to shipping replacement parts.
- Any complete fireplace, or part thereof, that is replaced or serviced under this warranty, will be warranted for a period not exceeding the remaining term of the original warranty.
- This warranty is not transferable.
- This warranty does not apply to damage to the appliance while in transit.
- This warranty does not apply if the installation does not conform to the installation requirements in the installation and owner's manuals.
- **Renaissance Fireplaces™** is free of liability for any damages caused by the appliance, as well as material and labor charges incurred in the removal or re-installation of any **Renaissance Fireplaces™** fireplace under this warranty. Incidental or consequential damages are not covered by this warranty.
- The remedies set forth herein are exclusive, and the liability of the seller shall not exceed the price of the fireplace or part thereof upon which the liability is based.
- This warranty is expressly in lieu of all other warranties expressed or implied, including the warranties of merchantability and fitness for use and all other obligations or liabilities on the part of **Renaissance Fireplaces™**.